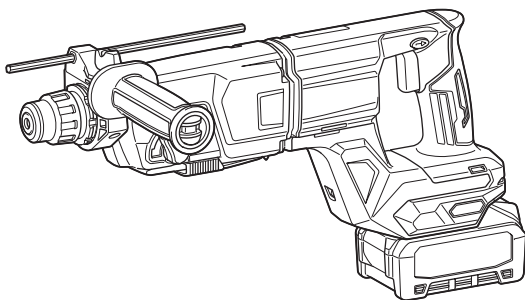
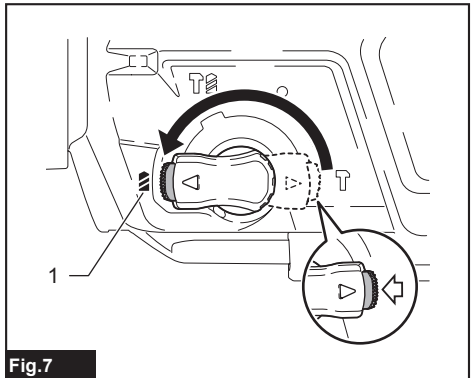
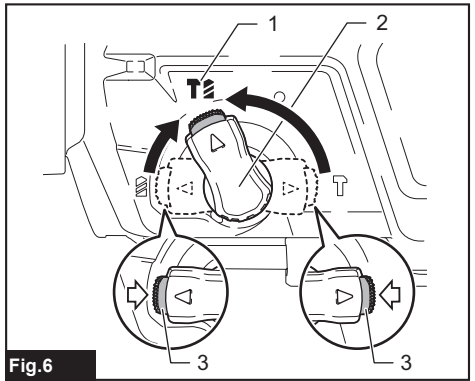
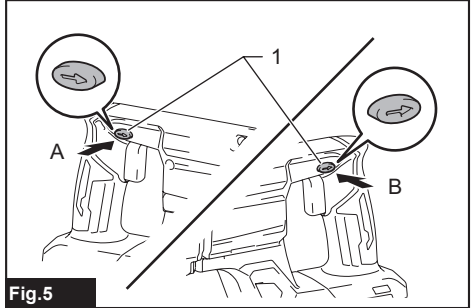
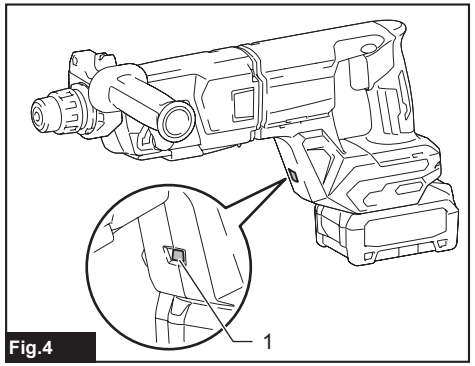
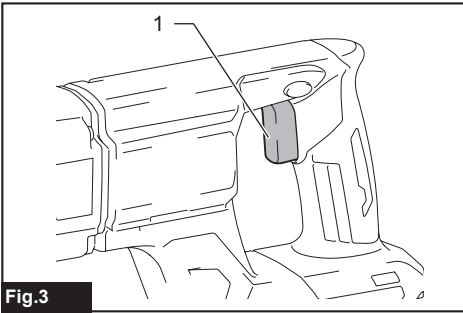
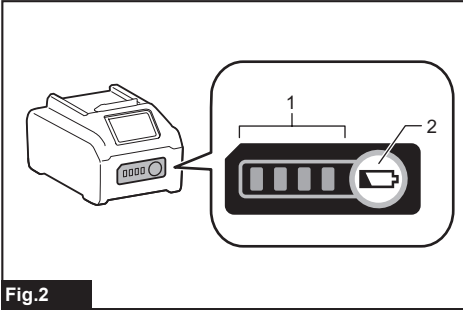
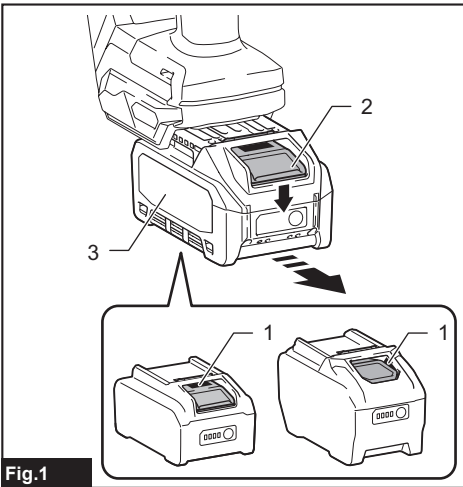




EN	Cordless Combination Hammer	INSTRUCTION MANUAL	11
PL	Młotowiertarka Akumulatorowa z Opcją Kucia	INSTRUKCJA OBSŁUGI	25
HU	Akkumulátoros kombinált kalapács	HASZNÁLATI KÉZIKÖNYV	42
SK	Akumulátorové kombinované kladivo	NÁVOD NA OBSLUHU	58
CS	Akumulátorové kombinované kladivo	NÁVOD K OBSLUZE	72
UK	Акумуляторний трирежимний перфоратор	ІНСТРУКЦІЯ З ЕКСПЛУАТАЦІЇ	86
RO	Ansamblu percutor multifuncțional cu acumulator	MANUAL DE INSTRUCȚIUNI	103
DE	Akku-Kombi-Bohrhammer	BETRIEBSANLEITUNG	118

HR007G





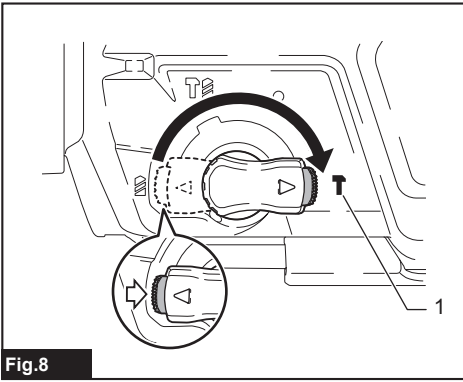


Fig.8

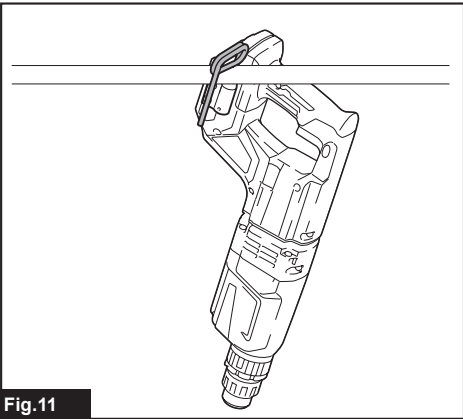


Fig.11

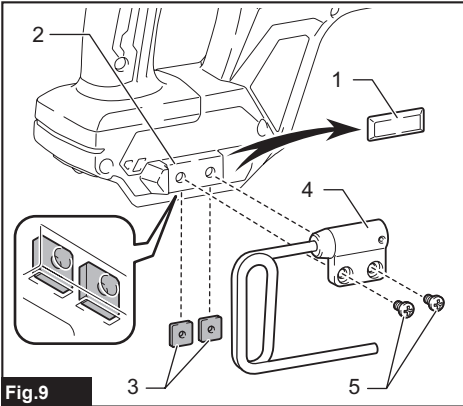


Fig.9

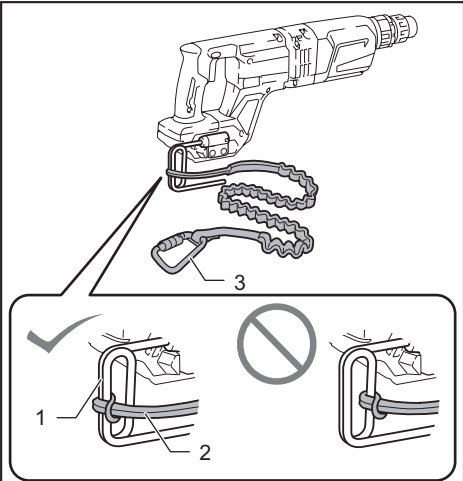


Fig.12

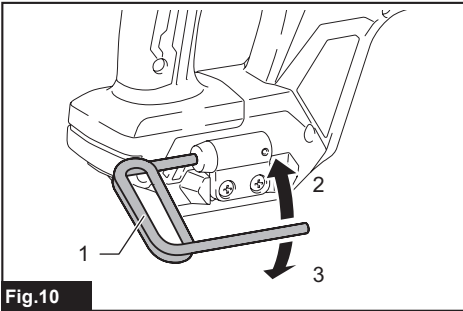


Fig.10

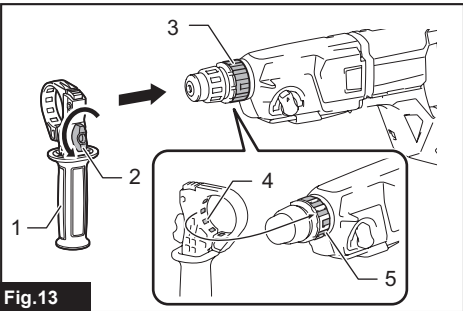


Fig.13

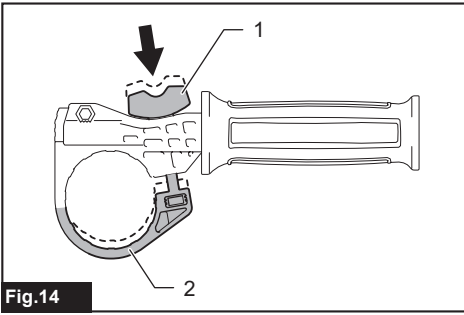


Fig.14

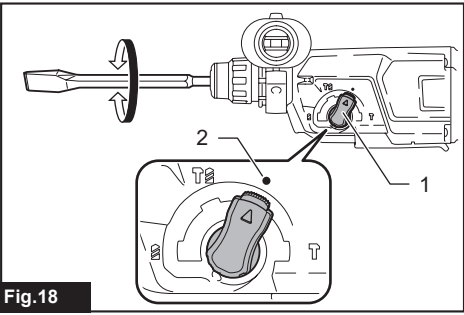


Fig.18

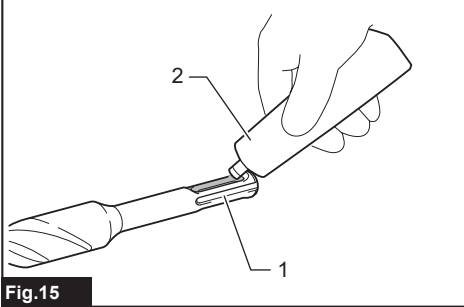


Fig.15

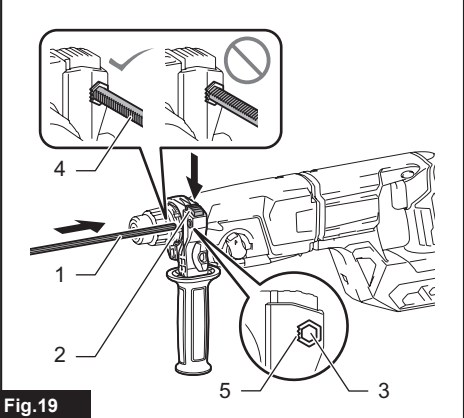


Fig.19

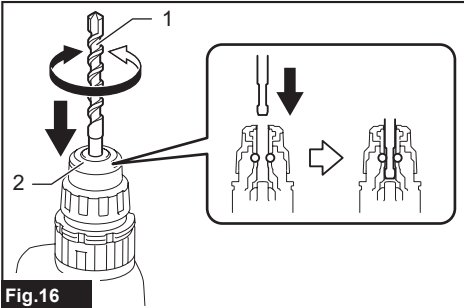


Fig.16

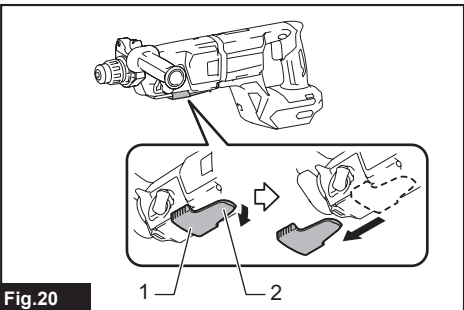


Fig.20

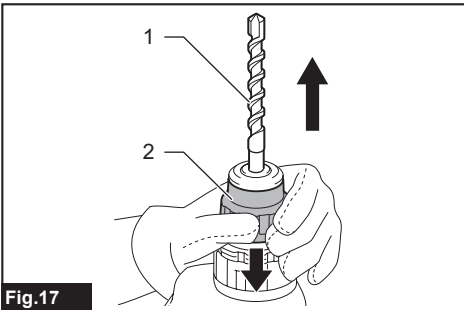
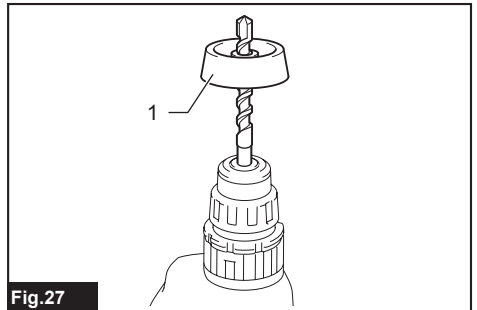
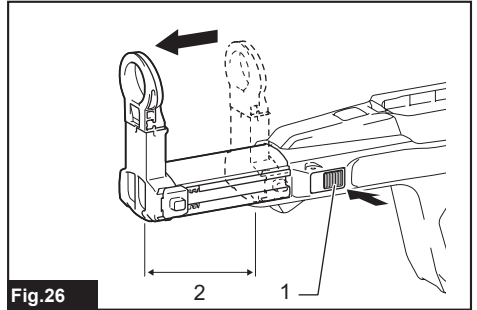
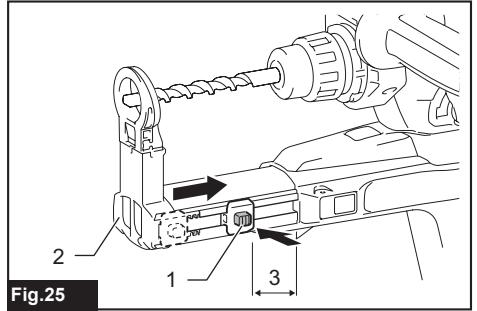
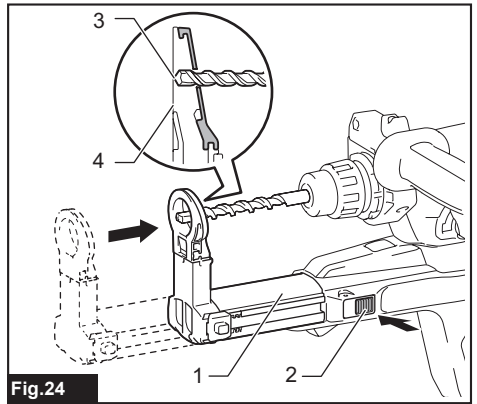
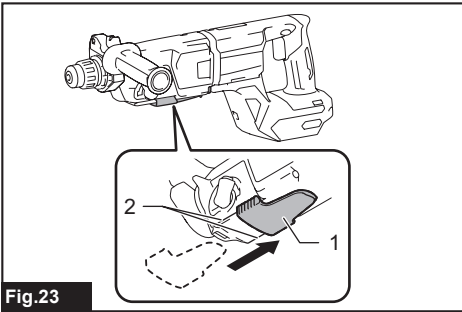
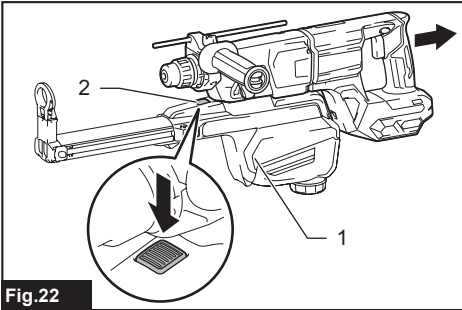
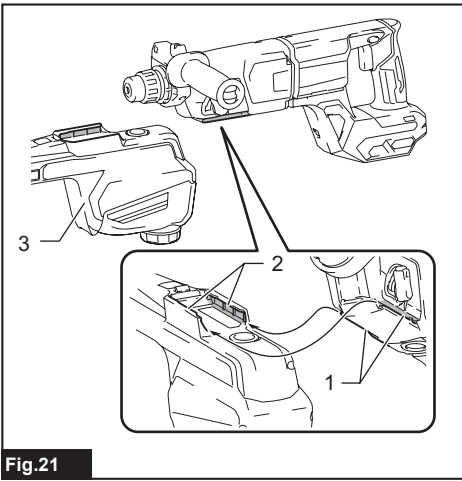


Fig.17



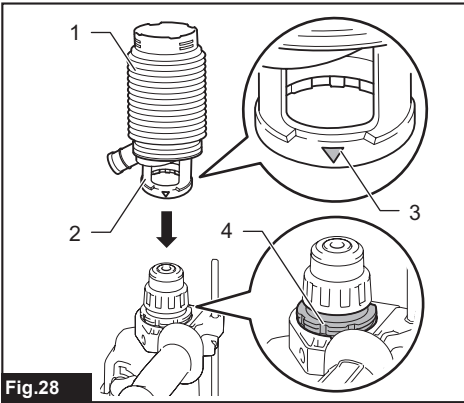


Fig.28

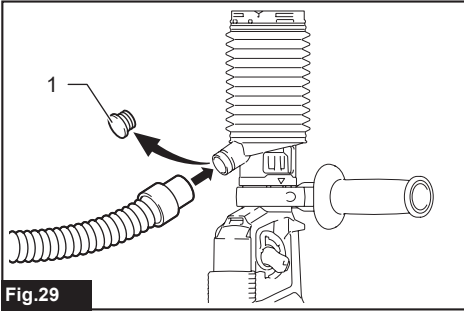


Fig.29

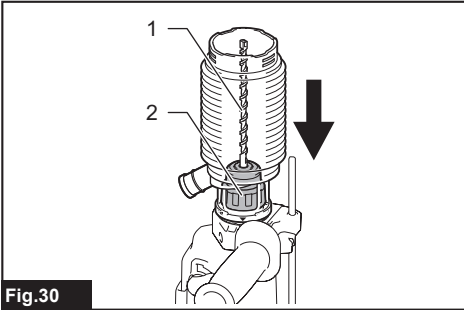


Fig.30

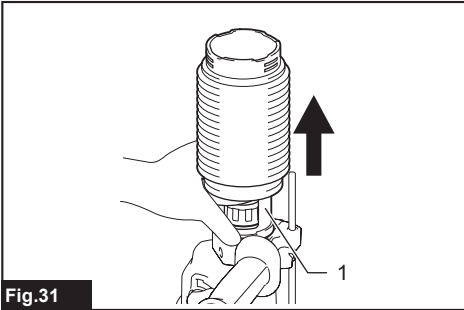


Fig.31

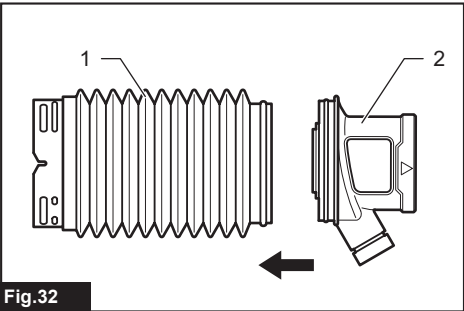


Fig.32

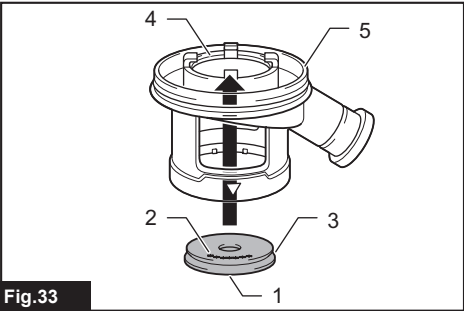


Fig.33

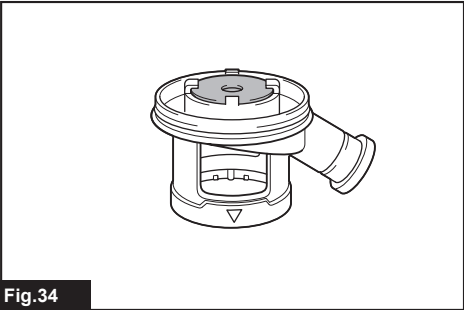


Fig.34

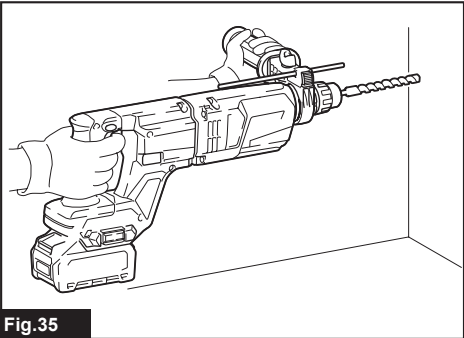
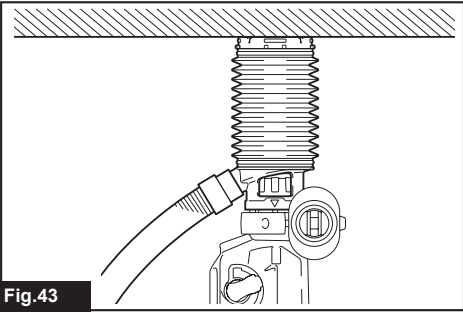
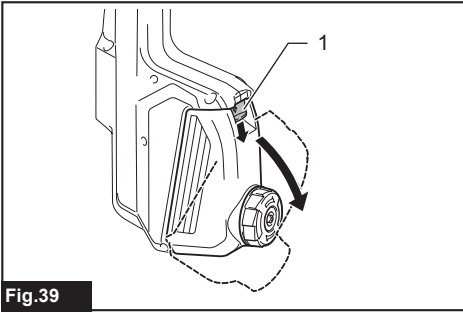
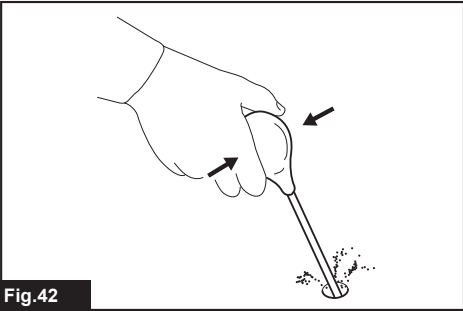
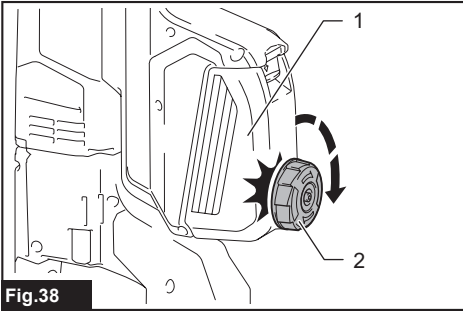
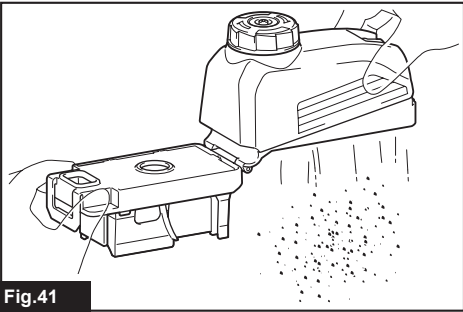
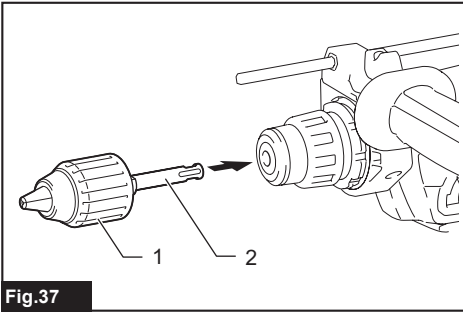
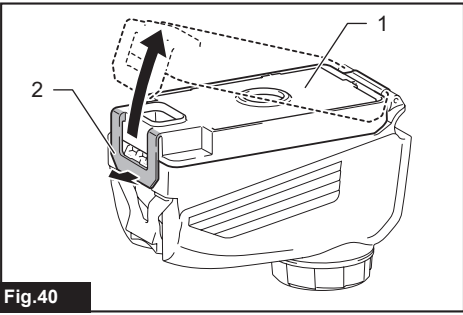
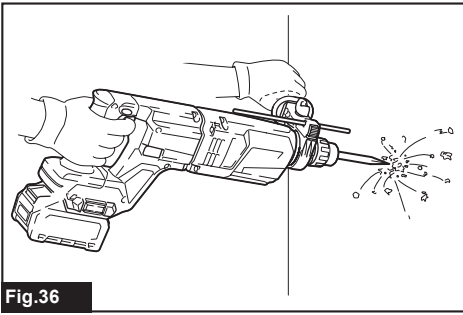


Fig.35



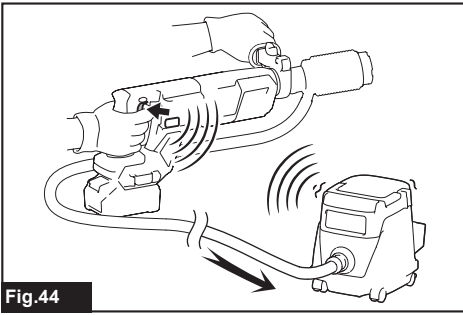


Fig.44

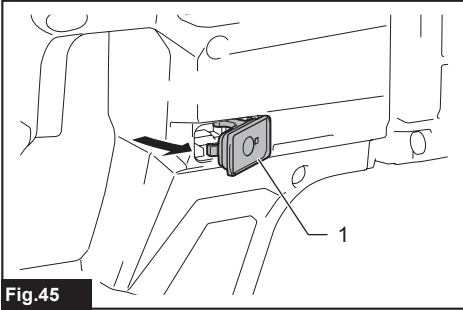


Fig.45

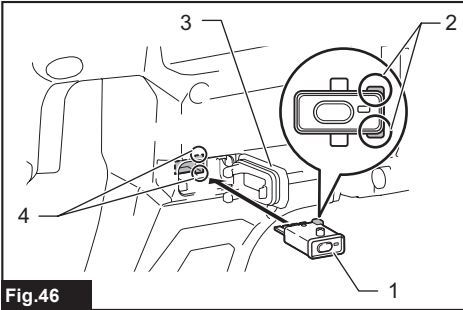


Fig.46

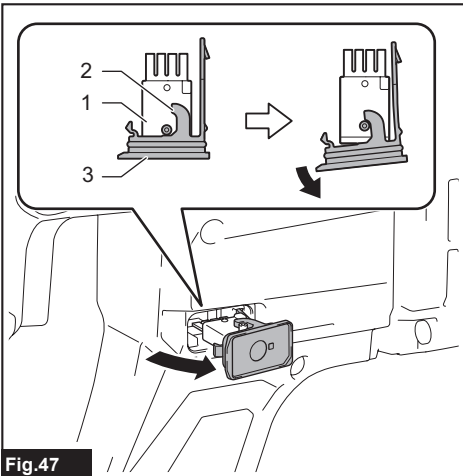


Fig.47

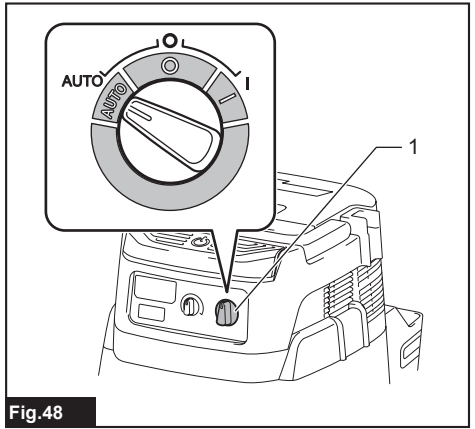


Fig.48

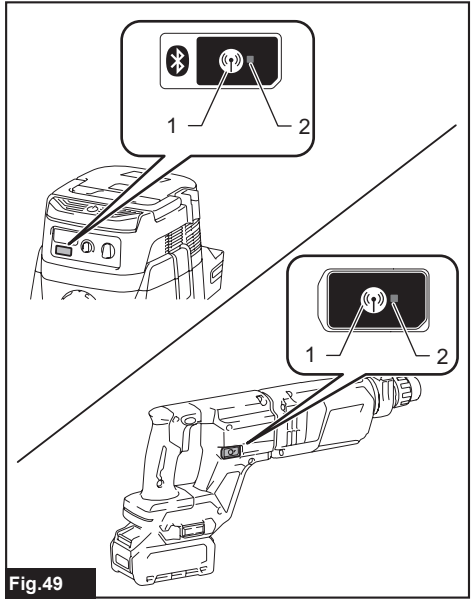


Fig.49

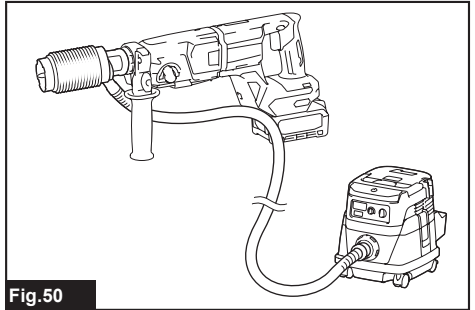
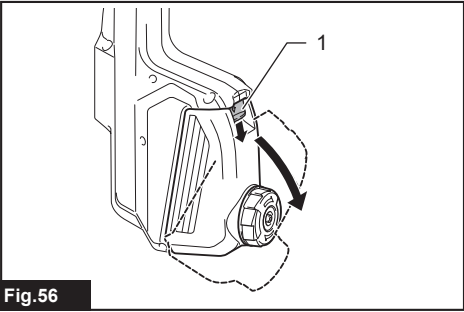
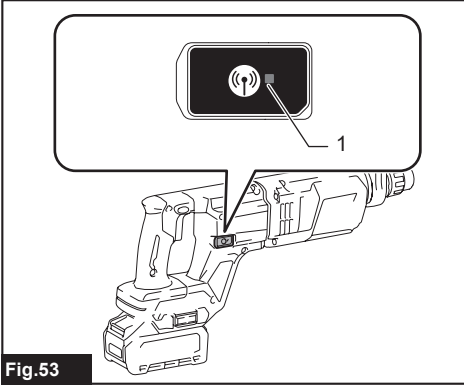
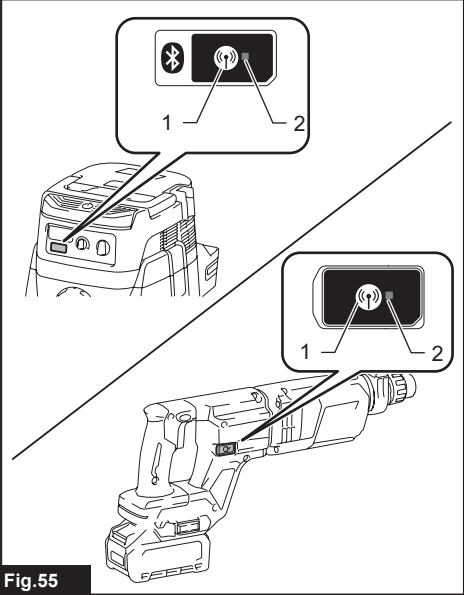
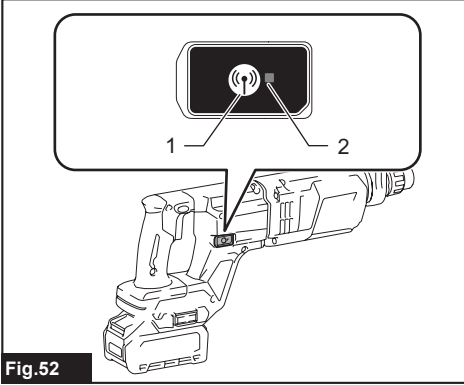
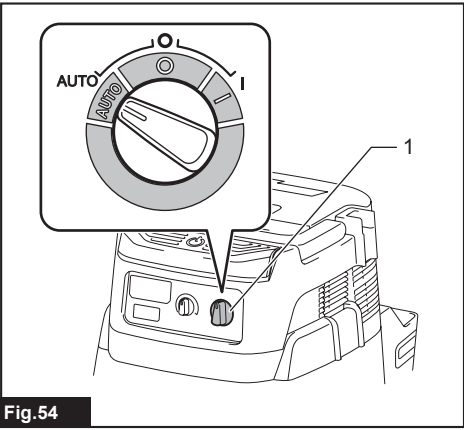
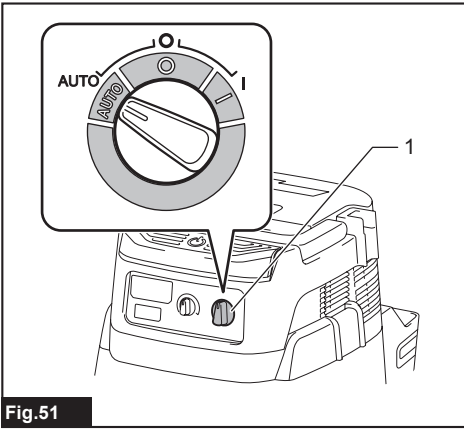


Fig.50



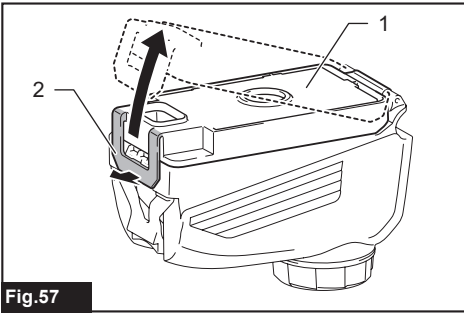


Fig.57

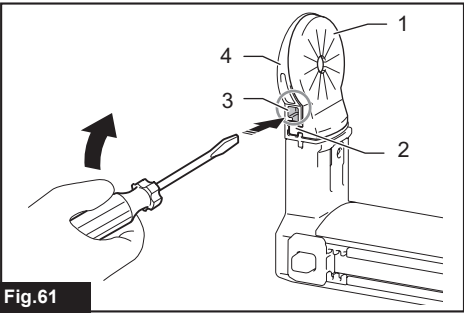


Fig.61

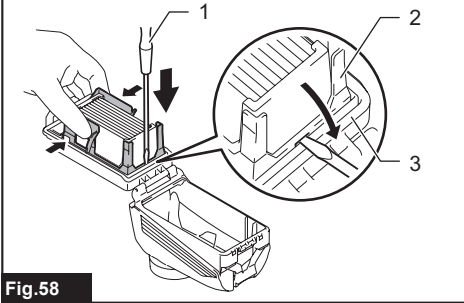


Fig.58

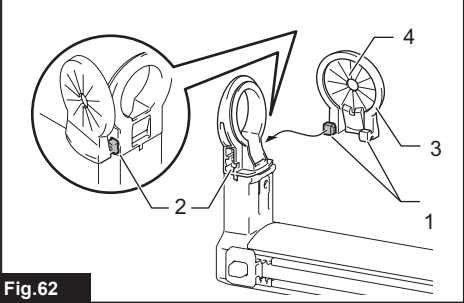


Fig.62

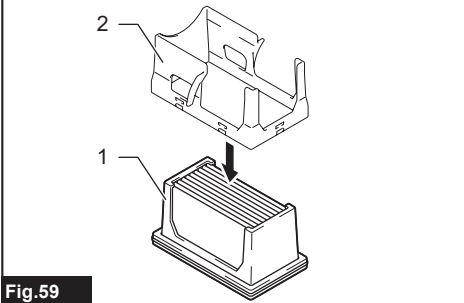


Fig.59

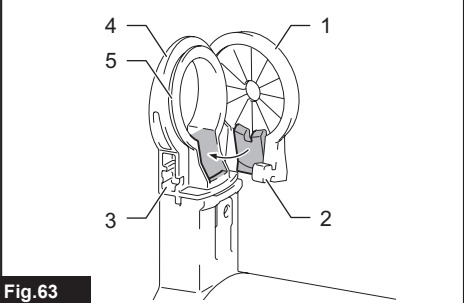


Fig.63

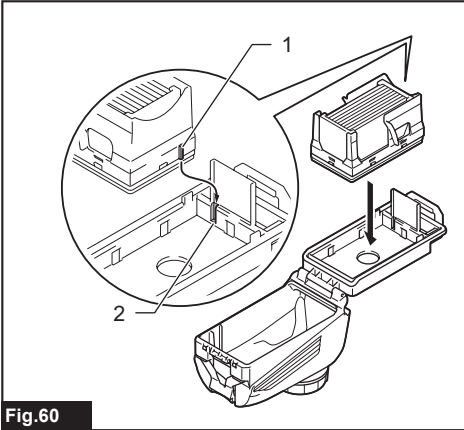


Fig.60

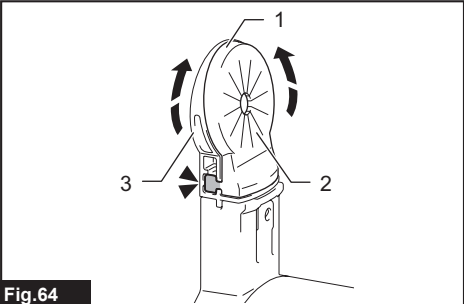


Fig.64

SPECIFICATIONS

Model:		HR007G
Capacities	Concrete	28 mm
	Core bit	54 mm
	Diamond core bit (dry type)	65 mm
	Steel	13 mm
	Wood	32 mm
No load speed		0 - 980 min ⁻¹
Blows per minute		0 - 5,000 min ⁻¹
Rated voltage		D.C. 36 V - 40 V max
Overall length	with BL4025	458 mm
	with BL4040	473 mm
Net weight		3.8 - 4.8 kg

Optional accessory

Model:		DX15
Suction performance		290 l/min
Operating stroke		Up to 190 mm
Suitable drill bit		Up to 260 mm
Net weight		1.3 kg

- Due to our continuing program of research and development, the specifications herein are subject to change without notice.
- Specifications may differ from country to country.
- The weight may differ depending on the attachment(s), including the battery cartridge. The lightest and heaviest combination, according to EPTA-Procedure 01/2014, are shown in the table.

Applicable battery cartridge and charger

Battery cartridge	BL4020* / BL4025* / BL4040* / BL4050F * : Recommended battery
Charger	DC40RA / DC40RB / DC40RC

- Some of the battery cartridges and chargers listed above may not be available depending on your region of residence.

⚠ WARNING: Only use the battery cartridges and chargers listed above. Use of any other battery cartridges and chargers may cause injury and/or fire.

Recommended cord connected power source

Portable power pack	PDC01 / PDC1200
---------------------	-----------------

- The cord connected power source(s) listed above may not be available depending on your region of residence.
- Before using the cord connected power source, read instruction and cautionary markings on them.

Intended use

The tool is intended for hammer drilling and drilling in brick, concrete and stone as well as for chiselling work. It is also suitable for drilling without impact in wood, metal, ceramic and plastic.

Noise

The typical A-weighted noise level determined according to EN60745-2-6:

Model HR007G

Sound pressure level (L_{pA}) : 94 dB(A)

Sound power level (L_{WA}) : 105 dB (A)

Uncertainty (K) : 3 dB(A)

Model HR007G with DX15

Sound pressure level (L_{pA}) : 93 dB(A)

Sound power level (L_{WA}) : 104 dB (A)

Uncertainty (K) : 3 dB(A)

NOTE: The declared noise emission value(s) has been measured in accordance with a standard test method and may be used for comparing one tool with another.

NOTE: The declared noise emission value(s) may also be used in a preliminary assessment of exposure.

⚠WARNING: Wear ear protection.

⚠WARNING: The noise emission during actual use of the power tool can differ from the declared value(s) depending on the ways in which the tool is used especially what kind of workpiece is processed.

⚠WARNING: Be sure to identify safety measures to protect the operator that are based on an estimation of exposure in the actual conditions of use (taking account of all parts of the operating cycle such as the times when the tool is switched off and when it is running idle in addition to the trigger time).

Vibration

The following table shows the vibration total value (tri-axial vector sum) determined according to applicable standard.

Work mode	Vibration emission	Uncertainty (K)	Applicable standard
Hammer drilling into concrete (a _{h, HD})	7.5 m/s ²	1.5 m/s ²	EN60745-2-6
Hammer drilling into concrete with DX15 (a _{h, HD})	8.1 m/s ²	1.5 m/s ²	EN60745-2-6
Chiselling function with side grip (a _{h, Chis})	8.6 m/s ²	1.5 m/s ²	EN60745-2-6
Drilling into metal (a _{h, D})	2.8 m/s ²	1.5 m/s ²	EN60745-2-1

NOTE: The declared vibration total value(s) has been measured in accordance with a standard test method and may be used for comparing one tool with another.

NOTE: The declared vibration total value(s) may also be used in a preliminary assessment of exposure.

⚠WARNING: The vibration emission during actual use of the power tool can differ from the declared value(s) depending on the ways in which the tool is used especially what kind of workpiece is processed.

⚠WARNING: Be sure to identify safety measures to protect the operator that are based on an estimation of exposure in the actual conditions of use (taking account of all parts of the operating cycle such as the times when the tool is switched off and when it is running idle in addition to the trigger time).

EC Declaration of Conformity

For European countries only

The EC declaration of conformity is included as Annex A to this instruction manual.

SAFETY WARNINGS

General power tool safety warnings

⚠WARNING: Read all safety warnings, instructions, illustrations and specifications provided with this power tool. Failure to follow all instructions listed below may result in electric shock, fire and/or serious injury.

Save all warnings and instructions for future reference.

The term "power tool" in the warnings refers to your mains-operated (corded) power tool or battery-operated (cordless) power tool.

CORDLESS ROTARY HAMMER SAFETY WARNINGS

1. **Wear ear protectors.** Exposure to noise can cause hearing loss.
2. **Use auxiliary handle(s), if supplied with the tool.** Loss of control can cause personal injury.
3. **Hold power tool by insulated gripping surfaces, when performing an operation where the cutting accessory may contact hidden wiring.** Cutting accessory contacting a "live" wire may make exposed metal parts of the power tool "live" and could give the operator an electric shock.
4. **Wear a hard hat (safety helmet), safety glasses and/or face shield.** Ordinary eye or sun glasses are NOT safety glasses. It is also highly recommended that you wear a dust mask and thickly padded gloves.
5. **Be sure the bit is secured in place before operation.**
6. **Under normal operation, the tool is designed to produce vibration.** The screws can come loose easily, causing a breakdown or accident. Check tightness of screws carefully before operation.
7. **In cold weather or when the tool has not been used for a long time, let the tool warm up for a while by operating it under no load.** This will loosen up the lubrication. Without proper warm-up, hammering operation is difficult.
8. **Always be sure you have a firm footing.** Be sure no one is below when using the tool in high locations.
9. **Hold the tool firmly with both hands.**
10. **Keep hands away from moving parts.**
11. **Do not leave the tool running.** Operate the tool only when hand-held.
12. **Do not point the tool at any one in the area when operating.** The bit could fly out and injure someone seriously.
13. **Do not touch the bit, parts close to the bit, or workpiece immediately after operation; they may be extremely hot and could burn your skin.**

14. **Some material contains chemicals which may be toxic. Take caution to prevent dust inhalation and skin contact. Follow material supplier safety data.**
15. **Always be sure that the tool is switched off and the battery cartridge and the bit are removed before handing the tool to other person.**
16. **Before operation, make sure that there is no buried object such as electric pipe, water pipe or gas pipe in the working area. Otherwise, the drill bit/chisel may touch them, resulting an electric shock, electrical leakage or gas leak.**
17. **Do not operate the tool at no-load unnecessarily.**
10. **The contained lithium-ion batteries are subject to the Dangerous Goods Legislation requirements.** For commercial transports e.g. by third parties, forwarding agents, special requirement on packaging and labeling must be observed. For preparation of the item being shipped, consulting an expert for hazardous material is required. Please also observe possibly more detailed national regulations.
Tape or mask off open contacts and pack up the battery in such a manner that it cannot move around in the packaging.

SAVE THESE INSTRUCTIONS.

⚠WARNING: DO NOT let comfort or familiarity with product (gained from repeated use) replace strict adherence to safety rules for the subject product. MISUSE or failure to follow the safety rules stated in this instruction manual may cause serious personal injury.

Important safety instructions for battery cartridge

1. **Before using battery cartridge, read all instructions and cautionary markings on (1) battery charger, (2) battery, and (3) product using battery.**
2. **Do not disassemble or tamper the battery cartridge.** It may result in a fire, excessive heat, or explosion.
3. **If operating time has become excessively shorter, stop operating immediately.** It may result in a risk of overheating, possible burns and even an explosion.
4. **If electrolyte gets into your eyes, rinse them out with clear water and seek medical attention right away.** It may result in loss of your eyesight.
5. **Do not short the battery cartridge:**
 - (1) **Do not touch the terminals with any conductive material.**
 - (2) **Avoid storing battery cartridge in a container with other metal objects such as nails, coins, etc.**
 - (3) **Do not expose battery cartridge to water or rain.**
11. **When disposing the battery cartridge, remove it from the tool and dispose of it in a safe place. Follow your local regulations relating to disposal of battery.**
12. **Use the batteries only with the products specified by Makita.** Installing the batteries to non-compliant products may result in a fire, excessive heat, explosion, or leak of electrolyte.
13. **If the tool is not used for a long period of time, the battery must be removed from the tool.**
14. **During and after use, the battery cartridge may take on heat which can cause burns or low temperature burns. Pay attention to the handling of hot battery cartridges.**
15. **Do not touch the terminal of the tool immediately after use as it may get hot enough to cause burns.**
16. **Do not allow chips, dust, or soil stuck into the terminals, holes, and grooves of the battery cartridge.** It may cause heating, catching fire, burst and malfunction of the tool or battery cartridge, resulting in burns or personal injury.
17. **Unless the tool supports the use near high-voltage electrical power lines, do not use the battery cartridge near a high-voltage electrical power lines.** It may result in a malfunction or breakdown of the tool or battery cartridge.
18. **Keep the battery away from children.**

SAVE THESE INSTRUCTIONS.

⚠CAUTION: Only use genuine Makita batteries. Use of non-genuine Makita batteries, or batteries that have been altered, may result in the battery bursting causing fires, personal injury and damage. It will also void the Makita warranty for the Makita tool and charger.

Tips for maintaining maximum battery life

6. **Do not store and use the tool and battery cartridge in locations where the temperature may reach or exceed 50 °C (122 °F).**
7. **Do not incinerate the battery cartridge even if it is severely damaged or is completely worn out. The battery cartridge can explode in a fire.**
8. **Do not nail, cut, crush, throw, drop the battery cartridge, or hit against a hard object to the battery cartridge.** Such conduct may result in a fire, excessive heat, or explosion.
9. **Do not use a damaged battery.**
1. **Charge the battery cartridge before completely discharged. Always stop tool operation and charge the battery cartridge when you notice less tool power.**
2. **Never recharge a fully charged battery cartridge. Overcharging shortens the battery service life.**
3. **Charge the battery cartridge with room temperature at 10 °C - 40 °C (50 °F - 104 °F). Let a hot battery cartridge cool down before charging it.**
4. **When not using the battery cartridge, remove it from the tool or the charger.**
5. **Charge the battery cartridge if you do not use it for a long period (more than six months).**

Important safety instructions for wireless unit

1. Do not disassemble or tamper with the wireless unit.
2. Keep the wireless unit away from young children. If accidentally swallowed, seek medical attention immediately.
3. Use the wireless unit only with Makita tools.
4. Do not expose the wireless unit to rain or wet conditions.
5. Do not use the wireless unit in places where the temperature exceeds 50 °C (122 °F).
6. Do not operate the wireless unit in places where medical instruments, such as heart pace makers are nearby.
7. Do not operate the wireless unit in places where automated devices are nearby. If operated, automated devices may develop malfunction or error.
8. Do not operate the wireless unit in places under high temperature or places where static electricity or electrical noise could be generated.
9. The wireless unit can produce electromagnetic fields (EMF) but they are not harmful to the user.
10. The wireless unit is an accurate instrument. Be careful not to drop or strike the wireless unit.
11. Avoid touching the terminal of the wireless unit with bare hands or metallic materials.
12. Always remove the battery on the product when installing the wireless unit into it.
13. When opening the lid of the slot, avoid the place where dust and water may come into the slot. Always keep the inlet of the slot clean.
14. Always insert the wireless unit in the correct direction.
15. Do not press the wireless activation button on the wireless unit too hard and/or press the button with an object with a sharp edge.
16. Always close the lid of the slot when operating.
17. Do not remove the wireless unit from the slot while the power is being supplied to the tool. Doing so may cause a malfunction of the wireless unit.
18. Do not remove the sticker on the wireless unit.
19. Do not put any sticker on the wireless unit.
20. Do not leave the wireless unit in a place where static electricity or electrical noise could be generated.
21. Do not leave the wireless unit in a place subject to high heat, such as a car sitting in the sun.
22. Do not leave the wireless unit in a dusty or powdery place or in a place corrosive gas could be generated.
23. Sudden change of the temperature may bedew the wireless unit. Do not use the wireless unit until the dew is completely dried.
24. When cleaning the wireless unit, gently wipe with a dry soft cloth. Do not use benzine, thinner, conductive grease or the like.
25. When storing the wireless unit, keep it in the supplied case or a static-free container.
26. Do not insert any devices other than Makita wireless unit into the slot on the tool.
27. Do not use the tool with the lid of the slot damaged. Water, dust, and dirt come into the slot may cause malfunction.
28. Do not pull and/or twist the lid of the slot more than necessary. Restore the lid if it comes off from the tool.
29. Replace the lid of the slot if it is lost or damaged.

SAVE THESE INSTRUCTIONS.

FUNCTIONAL DESCRIPTION

CAUTION: Always be sure that the tool is switched off and the battery cartridge is removed before adjusting or checking function on the tool.

Installing or removing battery cartridge

CAUTION: Always switch off the tool before installing or removing of the battery cartridge.

CAUTION: Hold the tool and the battery cartridge firmly when installing or removing battery cartridge. Failure to hold the tool and the battery cartridge firmly may cause them to slip off your hands and result in damage to the tool and battery cartridge and a personal injury.

► Fig.1: 1. Red indicator 2. Button 3. Battery cartridge

To remove the battery cartridge, slide it from the tool while sliding the button on the front of the cartridge.

To install the battery cartridge, align the tongue on the battery cartridge with the groove in the housing and slip it into place. Insert it all the way until it locks in place with a little click. If you can see the red indicator as shown in the figure, it is not locked completely.

CAUTION: Always install the battery cartridge fully until the red indicator cannot be seen. If not, it may accidentally fall out of the tool, causing injury to you or someone around you.

CAUTION: Do not install the battery cartridge forcibly. If the cartridge does not slide in easily, it is not being inserted correctly.

Indicating the remaining battery capacity

Press the check button on the battery cartridge to indicate the remaining battery capacity. The indicator lamps light up for a few seconds.

► **Fig.2:** 1. Indicator lamps 2. Check button

Indicator lamps			Remaining capacity
Lighted	Off	Blinking	
■	□	▧	75% to 100%
■ ■ ■ ■			
■ ■ ■	□		50% to 75%
■ ■	□ □		25% to 50%
■	□ □ □		0% to 25%
▧	□ □ □ □		Charge the battery.
■ ■	□ □	□ □	The battery may have malfunctioned.
□ □	■ ■		

NOTE: Depending on the conditions of use and the ambient temperature, the indication may differ slightly from the actual capacity.

NOTE: The first (far left) indicator lamp will blink when the battery protection system works.

Tool / battery protection system

The tool is equipped with a tool/battery protection system. This system automatically cuts off power to the motor to extend tool and battery life. The tool will automatically stop during operation if the tool or battery is placed under one of the following conditions:

Overload protection

When the battery is operated in a manner that causes it to draw an abnormally high current, the tool automatically stops without any indication. In this situation, turn the tool off and stop the application that caused the tool to become overloaded. Then turn the tool on to restart.

Overheat protection

When the tool or battery is overheated, the tool stops automatically. In this case, let the tool and battery cool before turning the tool on again.

NOTE: When the tool is overheated, the lamp blinks.

Overdischarge protection

When the battery capacity is not enough, the tool stops automatically. In this case, remove the battery from the tool and charge the battery.

Protections against other causes

Protection system is also designed for other causes that could damage the tool and allows the tool to stop automatically. Take all the following steps to clear the causes, when the tool has been brought to a temporary halt or stop in operation.

1. Turn the tool off, and then turn it on again to restart.
2. Charge the battery(ies) or replace it/them with recharged battery(ies).
3. Let the tool and battery(ies) cool down.

If no improvement can be found by restoring protection system, then contact your local Makita Service Center.

Switch action

⚠WARNING: Before installing the battery cartridge into the tool, always check to see that the switch trigger actuates properly and returns to the "OFF" position when released.

► **Fig.3:** 1. Switch trigger

To start the tool, simply pull the switch trigger. Tool speed is increased by increasing pressure on the switch trigger. Release the switch trigger to stop.

Lighting up the front lamp

► **Fig.4:** 1. Lamp

⚠CAUTION: Do not look in the light or see the source of light directly.

Pull the switch trigger to light up the lamp. The lamp keeps on lighting while the switch trigger is being pulled. The lamp goes out approximately 10 seconds after releasing the switch trigger.

⚠CAUTION: If the lamp goes off after blinking for a few seconds, the active feedback sensing technology is not working properly. Ask your local Makita Service Center for repair.

NOTE: Use a dry cloth to wipe the dirt off the lens of the lamp. Be careful not to scratch the lens of lamp, or it may lower the illumination.

NOTE: The front lamp cannot be used while the dust collection system (optional accessory) is installed in the tool.

Reversing switch action

► **Fig.5:** 1. Reversing switch lever

⚠CAUTION: Always check the direction of rotation before operation.

⚠CAUTION: Use the reversing switch only after the tool comes to a complete stop. Changing the direction of rotation before the tool stops may damage the tool.

⚠CAUTION: When not operating the tool, always set the reversing switch lever to the neutral position.

This tool has a reversing switch to change the direction of rotation. Depress the reversing switch lever from the A side for clockwise rotation or from the B side for counterclockwise rotation.


When the reversing switch lever is in the neutral position, the switch trigger cannot be pulled.

Selecting the action mode

NOTICE: Do not rotate the action mode changing knob when the tool is running. The tool will be damaged.


NOTICE: To avoid rapid wear on the mode change mechanism, be sure that the action mode changing knob is always positively located in one of the three action mode positions.

Rotation with hammering

For drilling in concrete, masonry, etc., turn the action mode changing knob to the  symbol while pressing the release button on the knob. Use a tungstencarbide tipped bit (optional accessory).


► **Fig.6:** 1. Rotation with hammering 2. Action mode changing knob 3. Release button

Rotation only

For drilling in wood, metal or plastic materials, turn the action mode changing knob to the  symbol while pressing the release button on the knob. Use a twist drill bit or wood drill bit.

► **Fig.7:** 1. Rotation only

Hammering only

For chipping, scaling or demolition operations, turn the action mode changing knob to the  symbol while pressing the release button on the knob. Use a bull point, cold chisel, scaling chisel, etc.

► **Fig.8:** 1. Hammering only

Hook

Optional accessory

CAUTION: Always remove the battery when hanging the tool with the hook.

CAUTION: Never hook the tool at high location or on potentially unstable surface.

The hook is convenient for temporarily hanging the tool.

Before installing the hook, remove the rubber cap from the screw holes in the mounting bracket. Insert the plate washers under the bracket, and then tighten the hook with screws in place.

► **Fig.9:** 1. Rubber cap 2. Mounting bracket 3. Plate washers 4. Hook 5. Screws

For use, lift up the arm of the hook until it snaps into the open position.

When not in use, be sure that the hook is folded back in the closed position.

► **Fig.10:** 1. Hook 2. Open position 3. Closed position

► **Fig.11**

Connecting lanyard (tether strap) to the hook

CAUTION: Do not use damaged hook and screws. Before use, always check for damages, cracks or deformations, and make sure that the screws are tightened.

CAUTION: Make sure that the hook is securely installed with the screws.

CAUTION: Do not install or remove any accessory while hanging the tool. The tool may fall if the screws are not tightened.

CAUTION: Always use a locking carabiner (multi-action and screw gate type) and be sure to attach the lanyard (tether strap) to the double looped portion of the hook. Improper attachment may cause tool drop from the hook and result in personal injury.

The hook is also used for connecting the lanyard (tether strap). Be sure to connect the lanyard (tether strap) to the double looped portion of the hook.

► **Fig.12:** 1. Double looped portion of the hook
2. Lanyard (tether strap) 3. Locking carabiner (multi-action and screw gate type)

Safety warnings about connecting lanyard (tether strap) to the hook

SAFETY WARNINGS specific for use at height
Read all safety warnings and instructions. Failure to follow the warnings and instructions may result in serious injury.

1. Always keep the tool tethered when working "at height". Maximum lanyard length is 2 m. The maximum permissible fall height for lanyard (tether strap) must not exceed 2 m.
2. Use only with lanyards appropriate for this tool type and rated for at least 8.0 kg.
3. Do not anchor the tool lanyard to anything on your body or on movable components. Anchor the tool lanyard to a rigid structure that can withstand the forces of a dropped tool.
4. Make sure the lanyard is properly secured at each end prior to use.
5. Inspect the tool and lanyard before each use for damage and proper function (including fabric and stitching). Do not use if damaged or not functioning properly.
6. Do not wrap lanyards around or allow them to come in contact with sharp or rough edges.
7. Fasten the other end of the lanyard outside the working area so that a falling tool is held securely.
8. Attach the lanyard so that the tool will move away from the operator if it falls. Dropped tools will swing on the lanyard, which could cause injury or loss of balance.
9. Do not use near moving parts or running machinery. Failure to do so may result in a crush or entanglement hazard.
10. Do not carry the tool by the attachment device or the lanyard.

11. Only transfer the tool between your hands while you are properly balanced.
12. Do not attach lanyards to the tool in a way that keeps switches or trigger-lock (if supplied) from operating properly.
13. Avoid getting tangled in the lanyard.
14. Keep lanyard away from the drilling area of the tool.
15. Use a locking carabiner (multi-action and screw gate type). Do not use single action spring clip carabiners.
16. In the event the tool is dropped, it must be tagged and removed from service, and should be inspected by a Makita Factory or Authorized Service Center.

Torque limiter

NOTICE: As soon as the torque limiter actuates, switch off the tool immediately. This will help prevent premature wear of the tool.

NOTICE: Drill bits such as hole saw, which tend to pinch or catch easily in the hole, are not appropriate for this tool. This is because they will cause the torque limiter to actuate too frequently.

The torque limiter will actuate when a certain torque level is reached. The motor will disengage from the output shaft. When this happens, the drill bit will stop turning.

Electronic function

The tool is equipped with the electronic functions for easy operation.

- Electric brake
This tool is equipped with an electric brake. If the tool consistently fails to quickly cease to function after the switch trigger is released, have the tool serviced at a Makita service center.
- Constant speed control
The speed control function provides the constant rotation speed regardless of load conditions.
- Active Feedback sensing Technology
If the tool is swung at the predetermined acceleration during operation, the motor is forcibly stopped to reduce the burden on the wrist.

NOTE: This function does not work if the acceleration does not reach the predetermined one when the tool is swung.

NOTE: If the bit is swung at the predetermined acceleration during chipping, scaling, or demolishing, the motor is forcibly stopped. In this case, release the switch trigger, and then pull the switch trigger to restart the tool.

ASSEMBLY

CAUTION: Always be sure that the tool is switched off and the battery cartridge is removed before carrying out any work on the tool.

Side grip (auxiliary handle)

CAUTION: Always use the side grip to ensure safe operation.

CAUTION: After installing or adjusting the side grip, make sure that the side grip is firmly secured with its retaining projections fully engaged by the positioning recesses on the gear housing.

To install the side grip, follow the steps below.

1. Loosen the thumb screw on the side grip. Then install the side grip over the barrel neck of the gear housing.
▶ **Fig.13:** 1. Side grip 2. Thumb screw 3. Barrel neck of the gear housing 4. Retaining projection 5. Positioning recess

The attachment ring can be enlarged by pressing the thumb screw down so that the ring is easily and securely engaged over the barrel neck of the gear housing.

- ▶ **Fig.14:** 1. Thumb screw 2. Attachment ring
2. Tighten the thumb screw to secure the grip at your desired angle.

Grease

Optional accessory

Coat the shank end of the drill bit beforehand with a small amount of grease (about 0.5 - 1 g).

This chuck lubrication assures smooth action and longer service life.

Installing and removing drill bit

Clean the shank end of the drill bit and apply grease before installing the drill bit.

- ▶ **Fig.15:** 1. Shank end 2. Grease

Place the shank end of the drill bit into the chuck, and insert it further into the chuck while hand-turning the drill bit so the shank end well fits into the chuck slot and becomes fully engaged.

Having installed the drill bit, try pulling it back to ensure it is securely held in place.

- ▶ **Fig.16:** 1. Drill bit 2. Chuck

To remove the drill bit, push the chuck cover down all the way and pull the drill bit out.

- ▶ **Fig.17:** 1. Drill bit 2. Chuck cover

Chisel angle (when chipping, scaling or demolishing)

The chisel can be secured at the desired angle. Switch the action mode changing knob to the O symbol, and then turn the chisel to your desired angle.

► **Fig.18:** 1. Action mode changing knob 2. O symbol

Switch the action mode changing knob to the T symbol. Try hand-turning the chisel to ensure it is securely held in place.

Depth gauge

The depth gauge is convenient for drilling holes of uniform depth.

Press and hold the lock button, and then insert the depth gauge into the hex hole. Make sure that the toothed side of the depth gauge faces the toothed marking on the hex hole.

► **Fig.19:** 1. Depth gauge 2. Lock button 3. Hex hole 4. Toothed side 5. Toothed marking

Adjust the depth gauge by moving it back and forth while pressing the lock button. After the adjustment, release the lock button to lock the depth gauge.

NOTE: Make sure that the depth gauge does not touch the main body of the tool when attaching it.

Dust collection system

Optional accessory

Installation

1. Slide the air duct cap out of the motor housing while lifting the lock tab up to the unlocked position.

► **Fig.20:** 1. Air duct cap 2. Lock tab

2. Mount the tool onto the dust collection system by sliding the guide grooves on bottom surface of the gear housing over the guide rails on top surface of the dust collection system until it locks in place with a click.

► **Fig.21:** 1. Guide grooves 2. Guide rails 3. Dust collection system

Uninstallation

1. Dismount the tool from the dust collection system by sliding the tool away off while pressing the lock off button on the dust collection system.

► **Fig.22:** 1. Dust collection system 2. Lock off button

2. Slide the air duct cap back along the guide grooves on gear housing until it locks in place with a click.

► **Fig.23:** 1. Air duct cap 2. Guide grooves

NOTICE: Make sure to place the air duct cap back over the air duct after detaching the dust collection system from the tool. Tool performance can be affected if it is operated without the air duct cap in place.

Adjusting nozzle position

Slide in and out the nozzle guide while pressing the guide adjustment button, and then release the button at an exact position where the tip of the drill bit sits just behind the front surface of the nozzle.

► **Fig.24:** 1. Nozzle guide 2. Guide adjustment button 3. Tip of drill bit 4. Front surface of nozzle

NOTE: Before adjusting the nozzle position, press the guide adjustment button to release the tension on the nozzle guide and set it free into a fully extended position.

Adjusting drilling depths

Drilling depth can be adjusted by changing the lengths between the depth adjustment button and rear end of the nozzle guide. Press and hold the depth adjustment button and slide it to your desired position.

► **Fig.25:** 1. Depth adjustment button 2. Nozzle guide 3. Drilling depths

Storage

NOTICE: When not in use for a certain period of time, the nozzle guide needs to be extended to approximately 100 mm from its fully shortened position. Failing to do so may damage the duct hose pre-installed in the nozzle guide.

► **Fig.26:** 1. Guide adjustment button 2. Approx. 100 mm

Dust cup

Optional accessory

Use the dust cup to prevent dust from falling over the tool and on yourself when performing overhead drilling operations.

Attach the dust cup to the bit as shown in the figure. The size of bits which the dust cup can be attached to is as follows.

Model	Bit diameter
Dust cup 5	6 mm - 14.5 mm
Dust cup 9	12 mm - 16 mm

► **Fig.27:** 1. Dust cup

Dust cup set

Optional accessory

CAUTION: Before installing and uninstalling the dust cup set, remove a bit from the tool.

Installation

Place the dust cup set onto the barrel neck of the gear housing aligning the Δ symbol on the dust cup with one of the grooves in the barrel. Then hold the attachment unit of the dust cup set and push it down onto the barrel to secure it in place.

► **Fig.28:** 1. Dust cup set 2. Attachment unit 3. Δ symbol 4. Groove

NOTE: If you connect a vacuum cleaner to the dust cup set, remove the dust cap before connecting it.

► **Fig.29:** 1. Dust cap

Uninstallation

Push the chuck cover down all the way and pull a bit off.

► **Fig.30:** 1. Bit 2. Chuck cover

Hold the attachment unit of the dust cup set and pull it apart from the tool.

► **Fig.31:** 1. Attachment unit

NOTE: If the cap comes off from the dust cup set, place it back to the original position.

1. Detach the bellows from the attachment unit of the dust cup set.

► **Fig.32:** 1. Bellows 2. Attachment unit

2. Set the cap back in place with its printed side facing upwards.

► **Fig.33:** 1. Cap 2. Printed side 3. Grooves 4. Lips of upper opening 5. Attachment unit

3. Be sure that the grooves around the cap well fit in the lips of the upper opening of the attachment unit.

► **Fig.34**

OPERATION

CAUTION: Always use the side grip (auxiliary handle) and firmly hold the tool by both side grip and switch handle during operations.

CAUTION: Always make sure that the workpiece is secured before operation.

CAUTION: Do not pull the tool out forcibly even the bit gets stuck. Loss of control may cause injury.

CAUTION: The dust collection system is intended for drilling in concrete only. Do not use the dust collection system for drilling in metal or wood.

CAUTION: When using the tool with the dust collection system, be sure to attach the filter to the dust collection system to prevent dust inhalation.

CAUTION: Before using the dust collection system, check that the filter is not damaged. Failure to do so may cause dust inhalation.

CAUTION: The dust collection system collects the generated dust at a considerable rate, but not all dust can be collected.

NOTICE: If the tool is operated continuously at low speed for a long time, the motor will get overloaded, resulting in tool malfunction.

NOTICE: Do not use the dust collection system for core drilling or chiseling.


NOTICE: Do not use the dust collection system for drilling in wet concrete or use this system in wet environment. Failure to do so may cause malfunction.

NOTE: If the battery cartridge is in low temperature, the tool's capability may not be fully obtained. In this case, warm up the battery cartridge by using the tool with no load for a while to fully obtain the tool's capability.

► **Fig.35**

Hammer drilling operation


CAUTION: There is tremendous and sudden twisting force exerted on the tool/drill bit at the time of hole break-through, when the hole becomes clogged with chips and particles, or when striking reinforcing rods embedded in the concrete. **Always use the side grip (auxiliary handle) and firmly hold the tool by both side grip and switch handle during operations.** Failure to do so may result in the loss of control of the tool and potentially severe injury.

Set the action mode changing knob to the  symbol. Position the drill bit at the desired location for the hole, then pull the switch trigger. Do not force the tool. Light pressure gives best results. Keep the tool in position and prevent it from slipping away from the hole.

Do not apply more pressure when the hole becomes clogged with chips or particles. Instead, run the tool at an idle, then remove the drill bit partially from the hole. By repeating this several times, the hole will be cleaned out and normal drilling may be resumed.

NOTE: Eccentricity in the drill bit rotation may occur while operating the tool with no load. The tool automatically centers itself during operation. This does not affect the drilling precision.

Chipping/Scaling/Demolition

Set the action mode changing knob to the  symbol. Hold the tool firmly with both hands. Turn the tool on and apply slight pressure on the tool so that the tool will not bounce around, uncontrolled. Pressing very hard on the tool will not increase the efficiency.

► **Fig.36**

Drilling in wood or metal

CAUTION: Hold the tool firmly and exert care when the drill bit begins to break through the workpiece. There is a tremendous force exerted on the tool/drill bit at the time of hole break through.

CAUTION: A stuck drill bit can be removed simply by setting the reversing switch to reverse rotation in order to back out. However, the tool may back out abruptly if you do not hold it firmly.

CAUTION: Always secure workpieces in a vise or similar hold-down device.

NOTICE: Never use “rotation with hammering” when the drill chuck is installed on the tool. The drill chuck may be damaged. Also, the drill chuck will come off when reversing the tool.

NOTICE: Pressing excessively on the tool will not speed up the drilling. In fact, this excessive pressure will only serve to damage the tip of your drill bit, decrease the tool performance and shorten the service life of the tool.

Set the action mode changing knob to the  symbol.

Installing drill chuck set


Optional accessory

Attach the chuck adapter to a keyless drill chuck to which 1/2"-20 size screw can be installed, and then install them to the tool. For details on how to install the adapter into the chuck, refer to the instructions on installing drill bit.

► **Fig.37:** 1. Keyless drill chuck 2. Chuck adapter

Diamond core drilling

NOTICE: If performing diamond core drilling operations using “rotation with hammering” action, the diamond core bit may be damaged.

When performing diamond core drilling operations, always set the action mode changing knob to the  position to use “rotation only” action.

Beating dust on the filter

Optional accessory

CAUTION: Do not turn the dial on the dust case while the dust case is removed from the dust collection system. Doing so may cause dust inhalation.

CAUTION: Always switch off the tool when turning the dial on the dust case. Turning the dial while the tool is running may result in the loss of control of the tool.

By beating the dust on the filter inside the dust case, you can keep the vacuum efficiency and also reduce the number of times to dispose of the dust. Turn the dial on the dust case three times after collecting every 50,000 mm³ of dust or when you feel the vacuum performance declined.

NOTE: 50,000 mm³ of dust equivalents to drilling 10 holes of \varnothing 10 mm and 65 mm depth.

► **Fig.38:** 1. Dust case 2. Dial

Disposing of dust

Optional accessory

CAUTION: Always be sure that the tool is switched off and the battery cartridge is removed before carrying out any work on the tool.

CAUTION: Be sure to wear dust mask when disposing of dust.

CAUTION: Empty the dust case regularly before the dust case becomes full. Failure to do so may decrease the dust collection performance and cause dust inhalation.

CAUTION: The performance of dust collection decreases if the filter in the dust case become clogged. Replace the filter with new one after approximately 200 times of dust fulfillment as a guide. Failure to do so may cause dust inhalation.

1. Remove the dust case while pressing down the latch lever of the dust case.

► **Fig.39:** 1. Latch lever

2. Lift the lock tab slightly outwards and open the dust case cover.

► **Fig.40:** 1. Dust case cover 2. Lock tab

3. Dispose of the dust, and then clean the filter.

► **Fig.41**

NOTICE: When cleaning the filter, tap the case of the filter gently by hand to remove dust. Do not tap the filter directly; touch the filter with brush or similar; or blow compressed air on the filter. Doing so may damage the filter.

Blow-out bulb

Optional accessory

After drilling the hole, use the blow-out bulb to clean the dust out of the hole.

► **Fig.42**

Using dust cup set

Optional accessory

Fit the dust cup set against the ceiling when operating the tool.

► **Fig.43**

NOTICE: Do not use the dust cup set when drilling in metal or similar. It may damage the dust cup set due to the heat produced by small metal dust or similar.

NOTICE: Do not install or remove the dust cup set with the drill bit installed in the tool. It may damage the dust cup set and cause dust leak.

WIRELESS ACTIVATION FUNCTION

What you can do with the wireless activation function

The wireless activation function enables clean and comfortable operation. By connecting a supported vacuum cleaner to the tool, you can run the vacuum cleaner automatically along with the switch operation of the tool.

► **Fig.44**

To use the wireless activation function, prepare following items:

- A wireless unit (optional accessory)
- A vacuum cleaner which supports the wireless activation function

The overview of the wireless activation function setting is as follows. Refer to each section for detail procedures.

1. Installing the wireless unit
2. Tool registration for the vacuum cleaner
3. Starting the wireless activation function

Installing the wireless unit

Optional accessory

CAUTION: Place the tool on a flat and stable surface when installing the wireless unit.

NOTICE: Clean the dust and dirt on the tool before installing the wireless unit. Dust or dirt may cause malfunction if it comes into the slot of the wireless unit.

NOTICE: To prevent the malfunction caused by static, touch a static discharging material, such as a metal part of the tool, before picking up the wireless unit.

NOTICE: When installing the wireless unit, always be sure that the wireless unit is inserted in the correct direction and the lid is completely closed.

1. Open the lid on the tool as shown in the figure.
► **Fig.45:** 1. Lid
2. Insert the wireless unit to the slot and then close the lid.

When inserting the wireless unit, align the projections with the recessed portions on the slot.

- **Fig.46:** 1. Wireless unit 2. Projection 3. Lid
4. Recessed portion

When removing the wireless unit, open the lid slowly. The hooks on the back of the lid will lift the wireless unit as you pull up the lid.

- **Fig.47:** 1. Wireless unit 2. Hook 3. Lid

After removing the wireless unit, keep it in the supplied case or a static-free container.

NOTICE: Always use the hooks on the back of the lid when removing the wireless unit. If the hooks do not catch the wireless unit, close the lid completely and open it slowly again.

Tool registration for the vacuum cleaner

NOTE: A Makita vacuum cleaner supporting the wireless activation function is required for the tool registration.

NOTE: Finish installing the wireless unit to the tool before starting the tool registration.

NOTE: During the tool registration, do not pull the switch trigger or turn on the power switch on the vacuum cleaner.

NOTE: Refer to the instruction manual of the vacuum cleaner, too.

If you wish to activate the vacuum cleaner along with the switch operation of the tool, finish the tool registration beforehand.

1. Install the batteries to the vacuum cleaner and the tool.

2. Set the stand-by switch on the vacuum cleaner to "AUTO".

► **Fig.48:** 1. Stand-by switch

3. Press the wireless activation button on the vacuum cleaner for 3 seconds until the wireless activation lamp blinks in green. And then press the wireless activation button on the tool in the same way.

► **Fig.49:** 1. Wireless activation button 2. Wireless activation lamp

If the vacuum cleaner and the tool are linked successfully, the wireless activation lamps will light up in green for 2 seconds and start blinking in blue.

NOTE: The wireless activation lamps finish blinking in green after 20 seconds elapsed. Press the wireless activation button on the tool while the wireless activation lamp on the cleaner is blinking. If the wireless activation lamp does not blink in green, push the wireless activation button briefly and hold it down again.

NOTE: When performing two or more tool registrations for one vacuum cleaner, finish the tool registration one by one.

Starting the wireless activation function

NOTE: Finish the tool registration for the vacuum cleaner prior to the wireless activation.

NOTE: Refer to the instruction manual of the vacuum cleaner, too.

After registering a tool to the vacuum cleaner, the vacuum cleaner will automatically runs along with the switch operation of the tool.

1. Install the wireless unit to the tool.
2. Connect the hose of the vacuum cleaner with the tool.

► **Fig.50**

3. Set the stand-by switch on the vacuum cleaner to "AUTO".

► **Fig.51:** 1. Stand-by switch

4. Push the wireless activation button on the tool briefly. The wireless activation lamp will blink in blue.

► **Fig.52:** 1. Wireless activation button 2. Wireless activation lamp

5. Pull the switch trigger of the tool. Check if the vacuum cleaner runs while the switch trigger is being pulled.

To stop the wireless activation of the vacuum cleaner, push the wireless activation button on the tool.

NOTE: The wireless activation lamp on the tool will stop blinking in blue when there is no operation for 2 hours. In this case, set the stand-by switch on the vacuum cleaner to "AUTO" and push the wireless activation button on the tool again.

NOTE: The vacuum cleaner starts/stops with a delay. There is a time lag when the vacuum cleaner detects a switch operation of the tool.

NOTE: The transmission distance of the wireless unit may vary depending on the location and surrounding circumstances.

NOTE: When two or more tools are registered to one vacuum cleaner, the vacuum cleaner may start running even if you do not pull the switch trigger because another user is using the wireless activation function.

Description of the wireless activation lamp status

► **Fig.53:** 1. Wireless activation lamp

The wireless activation lamp shows the status of the wireless activation function. Refer to the table below for the meaning of the lamp status.

Status	Wireless activation lamp			Duration	Description
	Color	<input type="checkbox"/> On	<input type="checkbox"/> Blinking		
Standby	Blue	<input checked="" type="checkbox"/>		2 hours	The wireless activation of the vacuum cleaner is available. The lamp will automatically turn off when no operation is performed for 2 hours.
		<input type="checkbox"/>		When the tool is running.	The wireless activation of the vacuum cleaner is available and the tool is running.
Tool registration	Green	<input checked="" type="checkbox"/>		20 seconds	Ready for the tool registration. Waiting for the registration by the vacuum cleaner.
		<input type="checkbox"/>		2 seconds	The tool registration has been finished. The wireless activation lamp will start blinking in blue.
Cancelling tool registration	Red	<input checked="" type="checkbox"/>		20 seconds	Ready for the cancellation of the tool registration. Waiting for the cancellation by the vacuum cleaner.
		<input type="checkbox"/>		2 seconds	The cancellation of the tool registration has been finished. The wireless activation lamp will start blinking in blue.
Others	Red	<input type="checkbox"/>		3 seconds	The power is supplied to the wireless unit and the wireless activation function is starting up.
	Off	-		-	The wireless activation of the vacuum cleaner is stopped.

Cancelling tool registration for the vacuum cleaner

Perform the following procedure when cancelling the tool registration for the vacuum cleaner.

1. Install the batteries to the vacuum cleaner and the tool.
2. Set the stand-by switch on the vacuum cleaner to "AUTO".

► **Fig.54:** 1. Stand-by switch

3. Press the wireless activation button on the vacuum cleaner for 6 seconds. The wireless activation lamp blinks in green and then become red. After that, press the wireless activation button on the tool in the same way.

► **Fig.55:** 1. Wireless activation button 2. Wireless activation lamp

If the cancellation is performed successfully, the wireless activation lamps will light up in red for 2 seconds and start blinking in blue.

NOTE: The wireless activation lamps finish blinking in red after 20 seconds elapsed. Press the wireless activation button on the tool while the wireless activation lamp on the cleaner is blinking. If the wireless activation lamp does not blink in red, push the wireless activation button briefly and hold it down again.

Troubleshooting for wireless activation function

Before asking for repairs, conduct your own inspection first. If you find a problem that is not explained in the manual, do not attempt to dismantle the tool. Instead, ask Makita Authorized Service Centers, always using Makita replacement parts for repairs.

State of abnormality	Probable cause (malfunction)	Remedy
The wireless activation lamp does not light/blink.	The wireless unit is not installed into the tool. The wireless unit is improperly installed into the tool.	Install the wireless unit correctly.
	The terminal of the wireless unit and/or the slot is dirty.	Gently wipe off dust and dirt on the terminal of the wireless unit and clean the slot.
	The wireless activation button on the tool has not been pushed.	Push the wireless activation button on the tool briefly.
	The stand-by switch on the vacuum cleaner is not set to "AUTO".	Set the stand-by switch on the vacuum cleaner to "AUTO".
	No power supply	Supply the power to the tool and the vacuum cleaner.
Cannot finish tool registration / cancelling tool registration successfully.	The wireless unit is not installed into the tool. The wireless unit is improperly installed into the tool.	Install the wireless unit correctly.
	The terminal of the wireless unit and/or the slot is dirty.	Gently wipe off dust and dirt on the terminal of the wireless unit and clean the slot.
	The stand-by switch on the vacuum cleaner is not set to "AUTO".	Set the stand-by switch on the vacuum cleaner to "AUTO".
	No power supply	Supply the power to the tool and the vacuum cleaner.
	Incorrect operation	Push the wireless activation button briefly and perform the tool registration/cancellation procedures again.
	The tool and vacuum cleaner are away from each other (out of the transmission range).	Get the tool and vacuum cleaner closer to each other. The maximum transmission distance is approximately 10 m however it may vary according to the circumstances.
	Before finishing the tool registration/cancellation; - the switch trigger on the tool is pulled or; - the power button on the vacuum cleaner is turned on.	Push the wireless activation button briefly and perform the tool registration/cancellation procedures again.
	The tool registration procedures for the tool or vacuum cleaner have not finished.	Perform the tool registration procedures for both the tool and the vacuum cleaner at the same timing.
	Radio disturbance by other appliances which generate high-intensity radio waves.	Keep the tool and vacuum cleaner away from the appliances such as Wi-Fi devices and microwave ovens.
The vacuum cleaner does not run along with the switch operation of the tool.	The wireless unit is not installed into the tool. The wireless unit is improperly installed into the tool.	Install the wireless unit correctly.
	The terminal of the wireless unit and/or the slot is dirty.	Gently wipe off dust and dirt on the terminal of the wireless unit and clean the slot.
	The wireless activation button on the tool has not been pushed.	Push the wireless activation button briefly and make sure that the wireless activation lamp is blinking in blue.
	The stand-by switch on the vacuum cleaner is not set to "AUTO".	Set the stand-by switch on the vacuum cleaner to "AUTO".
	More than 10 tools are registered to the vacuum cleaner.	Perform the tool registration again. If more than 10 tools are registered to the vacuum cleaner, the tool registered earliest will be cancelled automatically.
	The vacuum cleaner erased all tool registrations.	Perform the tool registration again.
	No power supply	Supply the power to the tool and the vacuum cleaner.
	The tool and vacuum cleaner are away from each other (out of the transmission range).	Get the tool and vacuum cleaner closer each other. The maximum transmission distance is approximately 10 m however it may vary according to the circumstances.
	Radio disturbance by other appliances which generate high-intensity radio waves.	Keep the tool and vacuum cleaner away from the appliances such as Wi-Fi devices and microwave ovens.
The vacuum cleaner runs while the tool's switch trigger is not pulled.	Other users are using the wireless activation of the vacuum cleaner with their tools.	Turn off the wireless activation button of the other tools or cancel the tool registration of the other tools.

MAINTENANCE

⚠ CAUTION: Always be sure that the tool is switched off and the battery cartridge is removed before attempting to perform inspection or maintenance.

NOTICE: Never use gasoline, benzine, thinner, alcohol or the like. Discoloration, deformation or cracks may result.

To maintain product SAFETY and RELIABILITY, repairs, any other maintenance or adjustment should be performed by Makita Authorized or Factory Service Centers, always using Makita replacement parts.

Replacing filter of dust case

Optional accessory

1. Remove the dust case while pressing down the latch lever of the dust case.
▶ **Fig.56:** 1. Latch lever
2. Lift the lock tab slightly outwards and open the dust case cover.
▶ **Fig.57:** 1. Dust case cover 2. Lock tab
3. Insert a flat-blade screwdriver in between the filter case and dust case cover as shown in the figure. Press the side walls of the filter case inwards, and lift the filter case up off using the flat-blade screwdriver.
▶ **Fig.58:** 1. Flat-blade screwdriver 2. Filter case 3. Dust case cover
4. Push the filter out of the filter case as shown in the figure.
▶ **Fig.59:** 1. Filter 2. Filter case
5. Replace a new filter in the filter case. Set the filter case back onto the dust case aligning the guide projection on the filter case with the groove in the dust case.
▶ **Fig.60:** 1. Guide projection 2. Groove
6. Close the dust case cover, and then reassemble the dust case to the dust collection system.

Replacing sealing cap

Optional accessory

Replace a sealing cap at regular intervals as a worn or damaged sealing cap may affect the suction performance.

1. Insert a flat-blade screwdriver, with its flat surfaces vertical, into one of the release holes placed on the sides of the nozzle head. Tilt the flat-blade screwdriver at an angle to squeeze and pop the cube hook of the sealing cap out of the molded receptacle. Then peel the rubber edges of the sealing cap away from the rims of the nozzle head opening.
▶ **Fig.61:** 1. Sealing cap 2. Cube hook 3. Release hole 4. Nozzle head
2. Set one of cube hooks of a renewed sealing cap into the molded receptacle in the nozzle head with a recessed surface of the sealing cap facing forwards.
▶ **Fig.62:** 1. Cube hooks 2. Receptacles 3. Sealing cap 4. Recessed surface

3. Place the other hook into the receptacle on the opposite side of the nozzle head, while repositioning the sealing cap to fit finely to the nozzle head.

▶ **Fig.63:** 1. Sealing cap 2. Cube hook 3. Receptacle 4. Nozzle head 5. Rims

4. Gently lay the rubber edges of the sealing cap down over the rims of the nozzle head opening from bottom to top.

▶ **Fig.64:** 1. Rubber edges 2. Sealing cap 3. Nozzle head

OPTIONAL ACCESSORIES

⚠ CAUTION: These accessories or attachments are recommended for use with your Makita tool specified in this manual. The use of any other accessories or attachments might present a risk of injury to persons. Only use accessory or attachment for its stated purpose.

If you need any assistance for more details regarding these accessories, ask your local Makita Service Center.

- Carbide-tipped drill bits (SDS-Plus carbide-tipped bits)
- Core bit
- Bull point
- Diamond core bit
- Cold chisel
- Scaling chisel
- Grooving chisel
- Drill chuck set (chuck adapter / drill chuck)
- Bit grease
- Depth gauge
- Blow-out bulb
- Dust cup
- Dust cup set
- Hook set
- Dust case set
- Filter set
- Joint
- Dust collection system
- Wireless unit
- Safety goggles
- Makita genuine battery and charger

NOTE: Some items in the list may be included in the tool package as standard accessories. They may differ from country to country.

DANE TECHNICZNE

Model:		HR007G
Zakresy wiercenia	Beton	28 mm
	Wiertło koronowe	54 mm
	Diamentowe wiertło koronowe (suche)	65 mm
	Stal	13 mm
	Drewno	32 mm
Prędkość bez obciążenia		0–980 min ⁻¹
Liczba uderzeń na minutę		0–5 000 min ⁻¹
Napięcie znamionowe		Prąd stały 36 V–40 V maks.
Długość całkowita	z BL4025	458 mm
	z BL4040	473 mm
Masa netto		3,8–4,8 kg

Wyposażenie dodatkowe

Model:		DX15
Wydajność ssania		290 l/min
Skok roboczy		Maks. 190 mm
Odpowiednie wiertło		Maks. 260 mm
Masa netto		1,3 kg

- W związku ze stale prowadzonym przez naszą firmę programem badawczo-rozwojowym niniejsze dane mogą ulec zmianom bez wcześniejszego powiadomienia.
- Dane techniczne mogą różnić się w zależności od kraju.
- Masa może być różna w zależności od osprzętu, w tym akumulatora. W tabeli przedstawiona jest najlżejsza i najcieńsza konfiguracja, zgodnie z procedurą EPTA 01/2014.

Kompatybilne akumulatory i ładowarki

Akumulator	BL4020* / BL4025* / BL4040* / BL4050F *: Zalecany akumulator
Ładowarka	DC40RA / DC40RB / DC40RC

- Pewne z wymienionych powyżej akumulatorów i ładowarek mogą być niedostępne w regionie zamieszkania użytkownika.

⚠ OSTRZEŻENIE: Należy używać wyłącznie akumulatorów i ładowarek wymienionych powyżej. Używanie innych akumulatorów i ładowarek może stwarzać ryzyko wystąpienia obrażeń ciała lub pożaru.

Zalecane źródło zasilania podłączane za pomocą przewodu

Przenośna jednostka zasilająca	PDC01 / PDC1200
--------------------------------	-----------------

- Wymienione powyżej źródło zasilania podłączane za pomocą przewodu może być niedostępne w regionie zamieszkania użytkownika.
- Przed użyciem źródła zasilania podłączanego za pomocą przewodu należy zapoznać się z instrukcją i umieszczonymi na nim znakami ostrzegawczymi.

Przeznaczenie

Narzędzie jest przeznaczone do wiercenia udarowego oraz wiercenia w cegle, betonie i kamieniu, a także do podkuwania.

Nadaje się również do wiercenia w drewnie, metalu, ceramice i tworzywach sztucznych bez użycia udaru.

Hałas

Typowy równoważny poziom dźwięku A określony w oparciu o normę EN60745-2-6:

Model HR007G

Poziom ciśnienia akustycznego (L_{pA}): 94 dB(A)

Poziom mocy akustycznej (L_{WA}): 105 dB (A)

Niepewność (K): 3 dB(A)

Model HR007G z DX15

Poziom ciśnienia akustycznego (L_{pA}): 93 dB(A)

Poziom mocy akustycznej (L_{WA}): 104 dB (A)

Niepewność (K): 3 dB(A)

WSKAZÓWKA: Deklarowana wartość emisji hałasu została zmierzona zgodnie ze standardową metodą testową i można ją wykorzystać do porównywania narzędzi.

WSKAZÓWKA: Deklarowaną wartość emisji hałasu można także wykorzystać we wstępnej ocenie narażenia.

⚠ OSTRZEŻENIE: Nosić ochronniki słuchu.

⚠ OSTRZEŻENIE: Poziom hałasu wytwarzanego podczas rzeczywistego użytkowania elektronarzędzia może się różnić od wartości deklarowanej w zależności od sposobu użytkowania narzędzia, a w szczególności od rodzaju obrabianego elementu.

⚠ OSTRZEŻENIE: W oparciu o szacowane narażenie w rzeczywistych warunkach użytkowania należy określić środki bezpieczeństwa w celu zapewnienia ochrony operatora (uwzględniając wszystkie elementy cyklu działania, tj. czas, kiedy narzędzie jest wyłączone i kiedy pracuje na biegu jałowym, a także czas, kiedy jest włączone).

Drgania

Poniższa tabela przedstawia wartość poziomu drgań (suma wektorów w 3 osiach) określoną zgodnie z obowiązującą normą.

Tryb pracy	Emisja drgań	Niepewność (K)	Obowiązująca norma
Wiercenie udarowe w betonie ($a_{h, HD}$)	7,5 m/s ²	1,5 m/s ²	EN60745-2-6
Wiercenie udarowe w betonie z zastosowaniem DX15 ($a_{h, HD}$)	8,1 m/s ²	1,5 m/s ²	EN60745-2-6
Podkuwanie z uchwytem bocznym ($a_{h, Chex}$)	8,6 m/s ²	1,5 m/s ²	EN60745-2-6
Wiercenie w metalu ($a_{h, D}$)	2,8 m/s ²	1,5 m/s ²	EN60745-2-1

WSKAZÓWKA: Deklarowana wartość poziomu drgań została zmierzona zgodnie ze standardową metodą testową i można ją wykorzystać do porównywania narzędzi.

WSKAZÓWKA: Deklarowaną wartość poziomu drgań można także wykorzystać we wstępnej ocenie narażenia.

⚠ OSTRZEŻENIE: Drgania wytwarzane podczas rzeczywistego użytkowania elektronarzędzia mogą się różnić od wartości deklarowanej w zależności od sposobu użytkowania narzędzia, a w szczególności od rodzaju obrabianego elementu.

⚠ OSTRZEŻENIE: W oparciu o szacowane narażenie w rzeczywistych warunkach użytkowania należy określić środki bezpieczeństwa w celu zapewnienia ochrony operatora (uwzględniając wszystkie elementy cyklu działania, tj. czas, kiedy narzędzie jest wyłączone i kiedy pracuje na biegu jałowym, a także czas, kiedy jest włączone).

Deklaracja zgodności WE

Dotyczy tylko krajów europejskich

Deklaracja zgodności WE jest dołączona jako załącznik A do niniejszej instrukcji obsługi.

OSTRZEŻENIA DOTYCZĄCE BEZPIECZEŃSTWA

Ogólne zasady bezpiecznej eksploatacji elektronarzędzi

⚠ OSTRZEŻENIE: Należy zapoznać się z ostrzeżeniami dotyczącymi bezpieczeństwa, instrukcjami, ilustracjami i danymi technicznymi dołączonymi do tego elektronarzędzia. Niezastosowanie się do podanych poniżej instrukcji może prowadzić do porażenia prądem, pożaru i/lub poważnych obrażeń ciała.

Wszystkie ostrzeżenia i instrukcje należy zachować do wykorzystania w przyszłości.

Pojęcie „elektronarzędzie”, występujące w wymienionych tu ostrzeżeniach, odnosi się do elektronarzędzia zasilanego z sieci elektrycznej (z przewodem zasilającym) lub do elektronarzędzia akumulatorowego (bez przewodu zasilającego).

OSTRZEŻENIE DOTYCZĄCE BEZPIECZEŃSTWA DLA MŁOTOWIERTARKI AKUMULATOROWEJ

1. **Nosić ochronniki słuchu.** Hałas może spowodować utratę słuchu.
2. **Używać narzędzia z uchwytami pomocniczymi, jeśli zostały dostarczone wraz z nim.** Utrata kontroli może spowodować obrażenia ciała.
3. **Trzymać elektronarzędzie za izolowane powierzchnie rękojeści podczas wykonywania prac, przy których osprzęt tnący mógłby dotknąć niewidocznej instalacji elektrycznej.** Zetknięcie osprzętu z przewodem elektrycznym znajdującym się pod napięciem może spowodować, że odsłonięte elementy metalowe elektronarzędzia również znajdą się pod napięciem, grożąc porażeniem operatora prądem elektrycznym.
4. **Nosić kask (hełm ochronny), okulary ochronne oraz/lub osłonę twarzy.** Zwykłe okulary bądź okulary przeciwsłoneczne NIE są okularami ochronnymi. Stanowczo zaleca się również noszenie maski przeciwpyłowej oraz grubych rękawic.

5. Przed uruchomieniem narzędzia należy się upewnić, czy wiertło jest dobrze zamocowane.
6. W normalnych warunkach pracy narzędzie wytwarza drgania. W związku z tym śruby mogą łatwo ulec poluzowaniu, doprowadzając do awarii lub wypadku. Przed uruchomieniem narzędzia należy skontrolować, czy śruby są dobrze dokręcone.
7. W przypadku niskiej temperatury lub gdy narzędzie nie było używane przez dłuższy czas, należy najpierw je rozgrzać, uruchamiając na chwilę bez obciążenia. W ten sposób gęstość smaru ulegnie zmniejszeniu. Bez właściwego rozgrzania narzędzia działanie funkcji udaru jest utrudnione.
8. Podczas pracy należy zadbać o dobre oparcie dla nóg. W przypadku pracy na pewnej wysokości upewnić się, że na dole nie przebywają żadne osoby.
9. Narzędzie należy trzymać mocno oburącz.
10. Trzymać ręce z dala od części ruchomych.
11. Nie pozostawiać włączonego narzędzia. Narzędzie można uruchomić tylko, gdy jest trzymane w rękach.
12. Podczas pracy nie wolno kierować narzędzia w stronę osób znajdujących się w pobliżu. Wiertło może wylecieć z uchwytu i poważnie kogoś zranić.
13. Nie dotykać wiertła, części w pobliżu wiertła ani elementu obrabianego od razu po zakończeniu danej operacji; mogą one być bardzo gorące i spowodować oparzenie skóry.
14. Niektóre materiały zawierają substancje chemiczne, które mogą być toksyczne. Unikać wdychania pyłu i kontaktu ze skórą. Przestrzegać przepisów bezpieczeństwa podanych przez dostawcę materiałów.
15. Przed przekazaniem narzędzia innej osobie należy upewnić się, że jest ono wyłączone, a akumulator i wiertło zostały z niego wyjęte.
16. Przed rozpoczęciem pracy należy się upewnić, czy w obszarze pracy nie ma ukrytych obiektów, takich jak na przykład przewody elektryczne, instalacja wodna lub gazowa. W przeciwnym razie może dojść do kontaktu wiertła/dłuta z takimi obiektami, skutkującego porażeniem elektrycznym, wpływem prądu lub wyciekami gazu.
17. Nie należy bez potrzeby uruchamiać narzędzia bez obciążenia.

ZACHOWAĆ NINIEJSZE INSTRUKCJE.

⚠ OSTRZEŻENIE: NIE WOLNO pozwolić, aby wygoda lub rutyna (nabyta w wyniku wielokrotnego używania urządzenia) zastąpiły ściśle przestrzeganie zasad bezpieczeństwa obsługi. **NIEWŁAŚCIWE UŻYTKOWANIE** narzędzia lub niestosowanie się do zasad bezpieczeństwa podanych w niniejszej instrukcji obsługi może prowadzić do poważnych obrażeń ciała.

Ważne zasady bezpieczeństwa dotyczące akumulatora

1. Przed użyciem akumulatora zapoznać się ze wszystkimi instrukcjami i znakami ostrzegawczymi na (1) ładowarce, (2) akumulatorze i (3) produkcie, w którym będzie używany akumulator.
2. Nie rozmontowywać ani modyfikować akumulatora. Może to spowodować pożar, przegrzanie lub wybuch.
3. Jeśli czas działania uległ znacznemu skróceniu, należy natychmiast przerwać pracę. Może bowiem dojść do przegrzania, ewentualnych poparzeń, a nawet eksplozji.
4. W przypadku przedostania się elektrolitu do oczu, przemyć je czystą wodą i niezwłocznie uzyskać pomoc lekarską. Może on bowiem spowodować utratę wzroku.
5. Nie doprowadzać do zwarcia akumulatora:
 - (1) Nie dotykać styków materiałami przewodzącymi prąd.
 - (2) Unikać przechowywania akumulatora w pojemniku z metalowymi przedmiotami, takimi jak gwoździe, monety itp.
 - (3) Chronić akumulator przed deszczem lub wodą.
 Zwarcie prowadzi do przepływu prądu elektrycznego o dużym natężeniu i przegrzania akumulatora, co w konsekwencji może grozić poparzeniami a nawet awarią urządzenia.
6. Narzędzia i akumulatora nie wolno przechowywać ani używać w miejscach, w których temperatura osiąga bądź przekracza 50°C (122°F).
7. Akumulatorów nie wolno spalać, również tych poważnie uszkodzonych lub całkowicie zużytych. Akumulator może eksplodować w ogniu.
8. Nie należy przecinać ani zginać akumulatora, wbijać w niego gwoździ, rzucać nim, upuszczać, ani uderzać akumulatorem o twarde objekty. Takie działanie może spowodować pożar, przegrzanie lub wybuch.
9. Nie wolno używać uszkodzonego akumulatora.
10. Stanowiące wyposażenie akumulatory litojonowe podlegają przepisom dotyczącym produktów niebezpiecznych.
 Na potrzeby transportu komercyjnego, np. świadczony przez firmy trzecie czy spedycyjne, należy przestrzegać specjalnych wymagań w zakresie pakowania i oznaczania etykietami. Przygotowanie produktu do wysyłki wymaga skonsultowania się ze specjalistą ds. materiałów niebezpiecznych. Należy także przestrzegać przepisów krajowych, które mogą być bardziej szczegółowe. Zakleić taśmą lub zaślepić otwarte styki akumulatora oraz zabezpieczyć go, aby nie mógł się prze-suwać w opakowaniu.
11. Jeśli zajdzie konieczność utylizacji akumulatora, należy wyjąć go z narzędzia i przekazać w bezpieczne miejsce. Postępować zgodnie z przepisami lokalnymi dotyczącymi utylizacji akumulatorów.

12. **Używać akumulatorów tylko z produktami określonymi przez firmę Makita.** Zastosowanie akumulatorów w niezgodnych produktach może spowodować pożar, przegrzanie, wybuch lub wyciek elektrolitu.
13. **Jeśli narzędzie nie będzie używane przez dłuższy czas, należy wyjąć z niego akumulator.**
14. **Przed użyciem akumulatora i po jego użyciu akumulator może pozostawać nagrany, co może spowodować poparzenia lub poparzenia w niskiej temperaturze. Z gorącym akumulatorem należy obchodzić się ostrożnie.**
15. **Nie należy dotykać styku narzędzia bezpośrednio po jego użyciu, ponieważ może on być na tyle gorący, że spowoduje oparzenia.**
16. **Nie należy dopuszczać, aby wióry, kurz lub brud gromadziły się na stykach, w otworach i rowkach akumulatora.** Może to doprowadzić do przegrzania, pożaru, wybuchu lub uszkodzenia narzędzia lub akumulatora, co może spowodować oparzenia lub obrażenia ciała.
17. **Jeśli narzędzie nie jest przeznaczone do użytku w pobliżu linii wysokiego napięcia, nie należy korzystać z akumulatora w ich sąsiedztwie.** Może to spowodować nieprawidłowości w działaniu lub uszkodzenie narzędzia lub akumulatora.
18. **Przechowywać akumulator w miejscu niedostępnym dla dzieci.**

ZACHOWAĆ NINIEJSZE INSTRUKCJE.

⚠️ PRZESTROGA: Używać wyłącznie oryginalnych akumulatorów firmy Makita. Używanie nieoryginalnych akumulatorów firm innych niż Makita lub akumulatorów, które zostały zmodyfikowane, może spowodować wybuch akumulatora i pożar, obrażenia ciała oraz zniszczenie mienia. Stanowi to również naruszenie warunków gwarancji firmy Makita dotyczących narzędzia i ładowarki.

Wskazówki dotyczące zachowania maksymalnej trwałości akumulatora

1. **Akumulator należy naładować zanim zostanie do końca rozładowany.** Po zauważeniu spadku mocy narzędzia należy przerwać pracę i naładować akumulator.
2. **Nie wolno ładować powtórnie w pełni naładowanego akumulatora.** Przeładowanie akumulatora skracza jego trwałość.
3. **Akumulator należy ładować w temperaturze pokojowej w przedziale 10–40°C (50–104°F).** W przypadku gorącego akumulatora przed przystąpieniem do ładowania należy poczekać, aż ostygnie.
4. **Jeśli akumulator nie jest używany, należy go wyjąć z narzędzia lub ładowarki.**
5. **Akumulatory niklowo-wodorkowe należy naładować po okresie długiego nieużytkowania (dłuższego niż sześć miesięcy).**

Ważne zasady bezpieczeństwa dotyczące złącza bezprzewodowego

1. **Nie rozmontowywać ani modyfikować złącza bezprzewodowego.**
2. **Trzymać złącze bezprzewodowe z dala od małych dzieci.** W przypadku przypadkowego poknięcia natychmiast skorzystać z pomocy medycznej.
3. **Używać złącza bezprzewodowego wyłącznie z narzędziami firmy Makita.**
4. **Nie narażać złącza bezprzewodowego na działanie deszczu lub niesprzyjających warunków atmosferycznych.**
5. **Nie używać złącza bezprzewodowego w miejscach, w których temperatura przekracza 50°C.**
6. **Nie obsługiwać złącza bezprzewodowego w miejscach, w których w pobliżu znajdują się przyrządy medyczne, takie jak rozruszniki serca.**
7. **Nie obsługiwać złącza bezprzewodowego w miejscach, w których w pobliżu znajdują się zautomatyzowane urządzenia.** W przypadku obsługi złącza bezprzewodowego w zautomatyzowanym urządzeniu może wystąpić usterka lub błąd.
8. **Nie używać złącza bezprzewodowego w miejscach, w których panuje wysoka temperatura lub takich, w których możliwe jest wygenerowanie ładunków elektrostatycznych lub zakłóceń elektrycznych.**
9. **Złącze bezprzewodowe może wytwarzać pole elektromagnetyczne, które nie jest szkodliwe dla użytkownika.**
10. **Złącze bezprzewodowe to czuły przyrząd.** Należy chronić złącze bezprzewodowe przed upadkiem i uderzeniami.
11. **Unikać dotknięcia zacisku złącza bezprzewodowego gołymi rękoma lub metalowymi materiałami.**
12. **W przypadku montażu złącza bezprzewodowego należy zawsze wyciągać akumulator z produktu.**
13. **Podczas otwierania pokrywy gniazda unikać miejsc, w których pył i woda mogą przedostać się do gniazda.** Zawsze utrzymywać wlot gniazda w czystości.
14. **Zawsze wkładać złącze bezprzewodowe skierowane w odpowiednią stronę.**
15. **Nie naciskać zbyt mocno przycisku aktywacji bezprzewodowej na złączu bezprzewodowym i/lub nie naciskać przycisku za pomocą przedmiotu z ostrą krawędzią.**
16. **Zawsze zamykać pokrywę gniazda podczas pracy.**
17. **Nie usuwać złącza bezprzewodowego z gniazda, gdy zasilanie narzędzia jest włączone.** Wykonanie tej czynności może spowodować usterkę złącza bezprzewodowego.
18. **Nie usuwać naklejki ze złącza bezprzewodowego.**
19. **Nie umieszczać żadnej naklejki na złączu bezprzewodowym.**
20. **Nie pozostawiać złącza bezprzewodowego w miejscach, w których możliwe jest wygenerowanie ładunków elektrostatycznych lub szumów elektrycznych.**
21. **Nie pozostawiać złącza bezprzewodowego w miejscach narażonych na działanie wysokich temperatur, na przykład w samochodzie zaparkowanym w słońcu.**

22. Nie pozostawiać złącza bezprzewodowego w miejscach, w których występuje kurz, pył lub gazy wykazujące właściwości korozyjne.
23. Nagła zmiana temperatury może spowodować pojawienie się rosy na złączu bezprzewodowym. Nie używać urządzenia, aż do momentu całkowitego osuszenia rosy.
24. W przypadku czyszczenia złącza bezprzewodowego delikatnie wytrzeć je przy użyciu miękkiej, suchej szmatki. Nie stosować benzyny, rozpuszczalnika, smaru przewodzącego prąd i innych podobnych substancji.
25. W przypadku przechowywania złącza bezprzewodowego umieścić je w dołączonej obudowie lub antystatycznym pojemniku.
26. Nie wkładać żadnych urządzeń innych niż złącze bezprzewodowe firmy Makita do gniazda w narzędziu.
27. Nie wolno używać narzędzia, gdy pokrywa gniazda jest uszkodzona. Woda, pył i zabrudzenia, które przedostaną się do gniazda, mogą spowodować usterkę.
28. Nie ciągnąć i/lub nie obracać nadmiernie pokrywy gniazda. Umieścić pokrywę w odpowiednim miejscu w przypadku zsunienia się jej z narzędzia.
29. Wymienić pokrywę gniazda w przypadku jej zgubienia lub uszkodzenia.

ZACHOWAĆ NINIEJSZĄ INSTRUKCJĘ.

OPIS DZIAŁANIA

▲PRZESTROGA: Przed przystąpieniem do regulacji lub przeglądu narzędzia upewnić się, że jest ono wyłączone, a akumulator został wyjęty.

Wkładanie i wyjmowanie akumulatora

▲PRZESTROGA: Przed włożeniem lub wyjęciem akumulatora należy zawsze wyłączyć narzędzie.

▲PRZESTROGA: Podczas wkładania lub wyjmowania akumulatora należy mocno trzymać narzędzie i akumulator. W przeciwnym razie mogą się one wyslizgnąć z rąk, powodując uszkodzenie narzędzia lub akumulatora i obrażenia ciała.

► **Rys.1:** 1. Czerwony wskaźnik 2. Przycisk 3. Akumulator

Aby wyjąć akumulator, przesuń przycisk znajdujący się w przedniej jego części i wysuń akumulator.

Aby włożyć akumulator, wyrównać występ na akumulatorze z rowkiem w obudowie i wsunąć go na swoje miejsce. Akumulator należy wsunąć do oporu, aż się zatrzaśnie na miejscu, co jest sygnalizowane delikatnym kliknięciem. Jeśli jest widoczny czerwony wskaźnik pokazany na rysunku, akumulator nie został całkowicie zablokowany.

▲PRZESTROGA: Akumulator należy włożyć do końca, tak aby czerwony wskaźnik nie był widoczny. W przeciwnym razie może przypadkowo wypaść z narzędzia, powodując obrażenia operatora lub osób postronnych.

▲PRZESTROGA: Nie wkładać akumulatora na siłę. Jeśli akumulator nie daje się swobodnie wsunąć, oznacza to, że został włożony nieprawidłowo.

Wskazanie stanu naładowania akumulatora

Nacisnąć przycisk kontrolny na akumulatorze w celu wyświetlenia stanu naładowania akumulatora. Lampki wskaźnika zaświecą się przez kilka sekund.

► **Rys.2:** 1. Lampki wskaźnika 2. Przycisk kontrolny

Lampki wskaźnika			Pozostała energia akumulatora
Świeci się	Wyłączony	Miga	
■	□	▧	75–100%
■ ■ ■ ■	□ □ □ □	▧	
■ ■ ■ ■	□ □ □ □	□	50–75%
■ ■ ■ ■	□ □ □ □	□ □ □ □	25–50%
■ ■ ■ ■	□ □ □ □	□ □ □ □	0–25%
▧	□ □ □ □	□ □ □ □	Naładować akumulator.
■ ■ ■ ■	□ □ □ □	□ □ □ □	Akumulator może nie działać poprawnie.
□ □ □ □	■ ■ ■ ■	□ □ □ □	

WSKAZÓWKA: Zależnie od warunków użytkowania i temperatury otoczenia, wskazywany poziom może nieznacznie się różnić od rzeczywistego stanu naładowania akumulatora.

WSKAZÓWKA: Pierwsza (skrajnie po lewej stronie) lampka wskaźnika miga, gdy układ zabezpieczenia akumulatora jest aktywny.

Układ zabezpieczenia narzędzia/akumulatora

Narzędzie jest wyposażone w układ zabezpieczenia narzędzia/akumulatora. Układ automatycznie odcina zasilanie silnika w celu wydłużenia trwałości narzędzia i akumulatora. Narzędzie zostanie automatycznie zatrzymane podczas pracy w następujących sytuacjach związanych z narzędziem lub akumulatorem:

Zabezpieczenie przed przeciążeniem

W przypadku użytkowania akumulatora w sposób powodujący nadmiernie wysoki pobór prądu narzędzie zostanie automatycznie zatrzymane bez ostrzeżenia. W takiej sytuacji należy wyłączyć narzędzie i zaprzestać wykonywania czynności powodującej przeciążenie narzędzia. Następnie należy wyłączyć narzędzie w celu jego ponownego uruchomienia.

Zabezpieczenie przed przegrzaniem

W przypadku przegrzania narzędzia lub akumulatora narzędzie wyłączy się automatycznie. W takiej sytuacji należy odczekać, aż narzędzie ostygnie przed jego ponownym włączeniem.

WSKAZÓWKA: Gdy narzędzie się przegrzewa, lampka miga.

Zabezpieczenie przed nadmiernym rozładowaniem

Gdy stan naładowania akumulatora stanie się zbyt niski, narzędzie zostanie automatycznie zatrzymane. W takiej sytuacji należy wyjąć akumulator z narzędzia i naładować go.

Inne zabezpieczenia

Układ zabezpieczający jest przeznaczony do ochrony przed innymi przyczynami, które mogą doprowadzić do uszkodzenia narzędzia i umożliwiają automatyczne zatrzymanie narzędzia. Należy wykonać poniższe kroki, aby usunąć przyczyny tymczasowego wstrzymania lub zatrzymania pracy narzędzia.

1. Wyłączyć narzędzie, a następnie włączyć je ponownie w celu zrestartowania.
2. Naładować akumulatory lub zastąpić je (lub jeden z nich) naładowanymi akumulatorami.
3. Pozostawić narzędzie i akumulator (akumulatory) do ostygnięcia.

Jeśli przywrócenie działania układu zabezpieczającego nie przynosi pozytywnych efektów, należy skontaktować się z centrum serwisowym Makita.

Działanie przełącznika

⚠ OSTRZEŻENIE: Przed włożeniem akumulatora do narzędzia należy zawsze sprawdzić, czy spust przełącznika działa prawidłowo i czy powraca do położenia wyłączenia po jego zwolnieniu.

► **Rys.3:** 1. Spust przełącznika

W celu uruchomienia narzędzia wystarczy pociągnąć spust przełącznika. Prędkość narzędzia zwiększa się wraz ze zwiększaniem nacisku na spust przełącznika. W celu wyłączenia wystarczy zwolnić spust przełącznika.

Włączanie lampki czołowej

► **Rys.4:** 1. Lampka

⚠ PRZESTROGA: Nie patrzeć na światło ani bezpośrednio na źródło światła.

W celu włączenia lampki należy pociągnąć za spust przełącznika. Lampka świeci, dopóki spust przełącznika jest naciskany. Lampka wyłącza się po około 10 s od zwolnienia spustu przełącznika.

⚠ PRZESTROGA: Jeśli lampka zgaśnie po kilku sekundach migania, oznacza to, że system aktywnego wyczuwania odrzutu nie działa prawidłowo. Zlecić naprawę w lokalnym autoryzowanym punkcie serwisowym Makita.

WSKAZÓWKA: Aby usunąć zabrudzenia z klosza lampki, należy użyć suchej szmatki. Uważać, aby nie zarysować klosza lampki, gdyż może to zmniejszyć natężenie oświetlenia.

WSKAZÓWKA: Lampki czołowej nie można użyć, jeśli System zbierania pyłu (akcesorium opcjonalne) jest zainstalowany w narzędziu.

Działanie przełącznika zmiany kierunku obrotów

► **Rys.5:** 1. Dźwignia przełącznika zmiany kierunku obrotów

⚠ PRZESTROGA: Przed przystąpieniem do pracy należy zawsze sprawdzić ustawiony kierunek obrotów.

⚠ PRZESTROGA: Przełącznika zmiany kierunku obrotów można użyć tylko po całkowitym zatrzymaniu narzędzia. Zmiana kierunku obrotów przed zatrzymaniem się narzędzia grozi jego uszkodzeniem.

⚠ PRZESTROGA: Gdy narzędzie nie jest używane, należy zawsze ustawić dźwignię przełącznika zmiany kierunku obrotów w położeniu neutralnym.

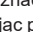
Omawiane narzędzie jest wyposażone w przełącznik umożliwiający zmianę kierunku obrotów. W celu uzyskania obrotów w prawą stronę należy wcisnąć dźwignię przełącznika zmiany kierunku obrotów po stronie A, natomiast aby uzyskać obroty w lewą stronę, należy wcisnąć dźwignię przełącznika po stronie B. Gdy dźwignia przełącznika zmiany kierunku obrotów znajduje się w położeniu neutralnym, spust przełącznika jest zablokowany.

Wybór trybu pracy

UWAGA: Nie wolno przekreślać pokrętki zmiany trybu pracy, gdy narzędzie pracuje. Spowoduje to uszkodzenie narzędzia.


UWAGA: Aby uniknąć szybkiego zużycia się mechanizmu zmiany trybu pracy, pokrętło zmiany trybu pracy musi być zawsze ustawione dokładnie w jednym z trzech położenia trybu pracy.

Wiercenie udarowe

W celu wiercenia w betonie, cegle itp. należy obrócić pokrętło zmiany trybu pracy do położenia oznaczonego symbolem , jednocześnie naciskając przycisk zwalniający na pokrętle. Używać wiertła z końcówką z węgla wolframu (akcesorium opcjonalne).


► **Rys.6:** 1. Wiercenie udarowe 2. Pokrętło zmiany trybu pracy 3. Przycisk zwalniający

Tylko wiercenie

W celu wiercenia w drewnie, metalu lub plastiku należy obrócić pokrętło zmiany trybu pracy do położenia oznaczonego symbolem , jednocześnie naciskając przycisk zwalniający na pokrętle. Używać wiertła krętego lub wiertła do drewna.

► **Rys.7:** 1. Tylko wiercenie

Tylko kucie

W celu kucia, skuwania lub wyburzania należy obrócić pokrętko zmiany trybu pracy do położenia oznaczonego symbolem , jednocześnie naciskając przycisk zwalnający na pokrętle. Używać punktaków, przecinaków, dłut itp.

► **Rys.8:** 1. Tylko kucie

Zaczepek

Osprzęt dodatkowy

▲PRZESTROGA: Przed zawieszeniem narzędzia za zaczepek należy koniecznie wyjąć akumulator.

▲PRZESTROGA: Nie wolno wieszać narzędzia wysoko lub na potencjalnie niestabilnej powierzchni.

Zaczepek służy do wygodnego, tymczasowego zawieszania narzędzia.

Przed zainstalowaniem zaczepek należy zdjąć nasadkę gumową z otworów na śruby we wsporniku mocującym. Wsunąć podkładki tarczowe pod wspornikiem, a następnie dokręcić zaczepek za pomocą śrub.

► **Rys.9:** 1. Nasadka gumowa 2. Wspornik mocujący 3. Podkładki tarczowe 4. Zaczepek 5. Śruby

W celu użycia zaczepek należy podnieść jego ramię, tak aby zatrzasnęło się w położeniu otwartym. Gdy zaczepek nie jest używany, należy upewnić się, że jest złożony w położeniu zamkniętym.

► **Rys.10:** 1. Hak 2. Pozycja otwarta 3. Pozycja zamknięta

► **Rys.11**

Przyłączanie pasa asekuracyjnego (linki do mocowania) do zaczepek

▲PRZESTROGA: Zaczepek oraz śrub nie należy używać, jeśli są one uszkodzone. Przed użyciem zawsze należy sprawdzić uchwyt pod kątem uszkodzeń, pęknięć lub odkształceń oraz upewnić się, że śruby są dokręcone.

▲PRZESTROGA: Upewnić się, że zaczepek jest prawidłowo zamocowany za pomocą śrub.

▲PRZESTROGA: Nie należy montować ani usuwać żadnych akcesoriów, jeśli narzędzie jest zawieszane. Jeśli wkręty nie będą dokręcone, narzędzie może spaść.

▲PRZESTROGA: Zawsze należy używać karabińczyka z blokadą (zakręcanego i z wielokrotnymi blokadami) i pamiętać, aby zamocować pas asekuracyjny (linkę do mocowania) do części zaczepek z podwójną pętlą. Nieprawidłowe zamocowanie może doprowadzić do wypadnięcia narzędzia z zaczepek i doprowadzić do obrażeń ciała.

Zaczepek służy również do przyłączania pasa asekuracyjnego (linki do mocowania). Należy pamiętać, aby przymocować pas asekuracyjny (linkę do mocowania) do części zaczepek z podwójną pętlą.

► **Rys.12:** 1. Część zaczepek z podwójną pętlą 2. Pas asekuracyjny (linka do mocowania) 3. Karabińczyk z blokadą (zakręcany i z wielokrotnymi blokadami)

Ostrzeżenia dotyczące bezpieczeństwa podczas przyłączania pasa asekuracyjnego (linki do mocowania) do zaczepek

▲Ostrzeżenia dotyczące prac na wysokościach
Przeczytać wszystkie ostrzeżenia i instrukcje.
Niezastosowanie się do wspomnianych ostrzeżeń i instrukcji może przyczynić się do poważnych obrażeń ciała.

1. Podczas prac na wysokościach narzędzie zawsze musi być zabezpieczone pasem asekuracyjnym. Maksymalna długość pasa asekuracyjnego wynosi 2 m. Maksymalna dopuszczalna wysokość opadania dla pasa asekuracyjnego (linki do mocowania) nie może przekraczać 2 m.
2. Należy używać wyłącznie pasów asekuracyjnych odpowiednich do narzędzi tego typu oraz o nośności co najmniej 8,0 kg.
3. Pasa asekuracyjnego nie należy mocować na żadnej części ciała ani do żadnych przedmiotów ruchomych. Pas asekuracyjny należy zamocować do konstrukcji sztywnej, która wytrzyma działanie sił wywieranych przez upuszczone narzędzie.
4. Przed rozpoczęciem korzystania z narzędzia upewnić się, że pas asekuracyjny jest poprawnie zamocowany na obu końcach.
5. Każdorazowo przed użyciem sprawdzić narzędzie i pas asekuracyjny pod kątem uszkodzeń i prawidłowego działania (w tym tkaninę oraz szwy). W przypadku stwierdzenia uszkodzeń lub nieprawidłowego działania nie używać pasa ani narzędzia.
6. Nie owijaj pasa asekuracyjnego wokół przedmiotów o ostrych lub szorstkich krawędziach. Nie dopuszczaj do kontaktu pasa z takimi przedmiotami.
7. Drugi koniec pasa asekuracyjnego zamocować poza obszarem roboczym, aby upadające narzędzie zostało bezpiecznie zatrzymane.
8. Pas asekuracyjny zamocować w taki sposób, aby upadające narzędzie poruszało się z dala od operatora. Upadające narzędzia będą się kołysać na pasie asekuracyjnym, co może spowodować obrażenia lub utratę równowagi.
9. Nie używać w pobliżu poruszających się części ani uruchomionych narzędzi. Nieprzestrzeżenie tego zalecenia może spowodować zagrożenie związane z uderzeniem lub wciągnięciem przez poruszające się części.
10. Narzędzia nie należy przenosić, trzymając za element do mocowania pasa ani za pas asekuracyjny.
11. Narzędzie można przenosić wyłącznie oburącz, utrzymując równowagę ciała.
12. Nie mocować pasa asekuracyjnego na narzędziu w sposób uniemożliwiający poprawne działanie przełączników lub blokady spustu (jeśli wyposażono w nią narzędzie).
13. Zachować ostrożność, aby nie zaplątać się w pas asekuracyjny.

14. Pas asekuracyjny trzymać z dala od obszaru wiercenia narzędziem.
15. Używać karabińczyka z blokadą (zakręcany i z wielokrotnymi blokadami). Nie używać karabińczyków sprężynowych samozamykających.
16. Jeśli narzędzie upadnie, należy je oznakować i wyłączyć z eksploatacji. Musi zostać sprawdzone w zakładzie produkcyjnym Makita lub autoryzowanym centrum serwisowym Makita.

Ogranicznik momentu obrotowego

UWAGA: Kiedy zadziała ogranicznik momentu obrotowego, należy natychmiast wyłączyć narzędzie. Dzięki temu uniknie się przedwczesnego zużycia narzędzia.

UWAGA: Do opisywanego narzędzia nie nadają się takie wiertła, jak piły walcowe, które mają tendencję do zakleszczania lub blokowania się w otworze. Powodują one zbyt częste włączanie ogranicznika momentu obrotowego.

Ogranicznik momentu obrotowego zaczyna działać, gdy zostanie osiągnięta określona wartość momentu. W takiej sytuacji silnik zostaje odłączony od wałka napędu. To powoduje zatrzymanie obrotów wiertła.

Funkcja regulacji elektronicznej

Narzędzie jest wyposażone w funkcje regulacji elektronicznej ułatwiające jego obsługę.

- Hamulec elektryczny
Narzędzie jest wyposażone w hamulec elektryczny. Jeśli narzędzie często nie zatrzymuje się po zwolnieniu spustu przełącznika, należy zlecić naprawę narzędzia serwisowi firmy Makita.
- Kontrola stałej prędkości
Funkcja regulacji prędkości zapewnia stałą prędkość obrotową niezależnie od warunków obciążenia.
- System aktywnego wyczuwania odrzutu
Jeśli podczas pracy nastąpi przekroczenie narzędzia z wstępnie ustawionym przyspieszeniem, zostanie wymuszone zatrzymanie silnika, aby ograniczyć siły działające na nadgarstek operatora.

WSKAZÓWKA: Ta funkcja nie zadziała, jeśli w momencie przekroczenia narzędzia przyspieszenie nie osiągnie wartości wstępnie ustawionej.

WSKAZÓWKA: Jeśli podczas kucia, skuwania lub wyburzania końcówka zostanie przekręcona z wstępnie ustawionym przyspieszeniem, nastąpi wymuszone zatrzymanie silnika. W takiej sytuacji należy zwolnić spust przełącznika, a następnie pociągnąć spust przełącznika, aby ponownie uruchomić narzędzie.

MONTAŻ

▲PRZESTROGA: Przed przystąpieniem do prac konserwacyjnych przy narzędziu upewnić się, że jest ono wyłączone, a akumulator został wyciągnięty.

Uchwyt boczny (rękojeść pomocnicza)

▲PRZESTROGA: Aby zapewnić bezpieczeństwo podczas pracy, należy zawsze korzystać z uchwytu bocznego.

▲PRZESTROGA: Po założeniu lub zmianie położenia uchwytu bocznego należy upewnić się, że uchwyt jest dobrze zamocowany, a występy ustalające są dokładnie zaczepione we wgłębieniach pozycjonujących na obudowie przekładni.

W celu zamontowania uchwytu bocznego należy wykonać poniższe czynności.

1. Poluzować śrubę radełkowaną na uchwycie bocznym. Następnie zainstalować uchwyt boczny na szyjce tulei obudowy przekładni.

- **Rys.13:** 1. Uchwyt boczny 2. Śruba radełkowana 3. Szyjka tulei obudowy przekładni 4. Występ ustalający 5. Wgłębienie pozycjonujące

Pierścien nasadki można powiększyć, dociskając śrubę radełkowaną, tak aby można było swobodnie i dokładnie założyć pierścien na szyjkę tulei obudowy przekładni.

- **Rys.14:** 1. Śruba radełkowana 2. Pierścien nasadki

2. Dokręcić śrubę radełkowaną, aby dokładnie zamocować uchwyt pod wybranym kątem.

Smarowanie

Osprzęt dodatkowy

Posmarować najpierw koniec chwytu wiertła niewielką ilością smaru (ok. 0,5–1 g).

Takie smarowanie chwytu zapewni prawidłowe i długotrwałe działanie.

Wkładanie i wyjmowanie wiertła

Wyczyścić koniec chwytu wiertła i posmarować smarem przed założeniem.

- **Rys.15:** 1. Koniec chwytu 2. Smar

Włożyć koniec uchwytu wiertła do uchwytu i wsunąć go dalej w uchwyt, jednocześnie dokręcając ręcznie wiertło do uchwytu, tak aby zostało dokładnie dopasowane do szczeliny uchwytu i zamocowane.

Po założeniu wiertła należy spróbować je wyciągnąć, upewniając się, że jest dokładnie zamocowane.

- **Rys.16:** 1. Wiertło 2. Uchwyt


Aby wyjąć wiertło, należy popchnąć osłonę uchwytu w dół do oporu i wyciągnąć wiertło.

- **Rys.17:** 1. Wiertło 2. Osłona uchwytu

Kąt ustawienia dłuta (podczas kucia, podkuwania, wyburzania itp.)

Dłuto można unieruchomić pod wymaganym kątem. Należy przestawić pokrętko zmiany trybu pracy do położenia oznaczonego symbolem O, a następnie ustawić dłuto pod wybranym kątem.

► **Rys.18:** 1. Pokrętko zmiany trybu pracy 2. Symbol O

Ustawić pokrętko zmiany trybu pracy w położeniu oznaczonym symbolem . Należy spróbować ręcznie obrócić dłuto, aby upewnić się, czy jest dokładnie zamocowane.

Ogranicznik głębokości

Ogranicznik głębokości służy do wiercenia otworów o jednakowej głębokości.

Nacisnąć i przytrzymać przycisk blokady, a następnie włożyć ogranicznik głębokości do otworu sześciokątnego. Upewnić się, że ząbkowana strona ogranicznika głębokości jest skierowana do ząbkowanego oznaczenia w otworze sześciokątnym.

► **Rys.19:** 1. Ogranicznik głębokości 2. Przycisk blokady 3. Otwór sześciokątny 4. Ząbkowana strona 5. Ząbkowane oznaczenie

Naciskając przycisk blokady, wyregulować ogranicznik głębokości, poruszając nim do przodu i do tyłu. Po wyregulowaniu zwolnić przycisk blokady, aby zablokować ogranicznik głębokości.

WSKAZÓWKA: Upewnić się, że ogranicznik głębokości nie dotyka korpusu narzędzia po zamocowaniu.

System zbierania pyłu

Osprzęt dodatkowy

Instalacja

1. Zsunąć osłonę kanału powietrza z obudowy silnika, unosząc zaczep blokujący do położenia odblokowanego.

► **Rys.20:** 1. Osłona kanału powietrza 2. Zaczep blokujący

2. Zamocować narzędzie do Systemu zbierania pyłu, wsuwając rowki prowadzące u dołu obudowy przekładni w szyny prowadzące u góry Systemu zbierania pyłu aż do zablokowania (kliknięcie).

► **Rys.21:** 1. Rowki prowadzące 2. Szyny prowadzące 3. System zbierania pyłu

Zdejmowanie

1. Wymontować narzędzie z Systemu zbierania pyłu, wysuwając narzędzie i jednocześnie naciskając przycisk blokady na Systemie zbierania pyłu.

► **Rys.22:** 1. System zbierania pyłu 2. Przycisk blokady

2. Przesunąć osłonę kanału powietrza wzdłuż rowków prowadzących w obudowie przekładni aż do zablokowania (kliknięcie).

► **Rys.23:** 1. Osłona kanału powietrza 2. Rowki prowadzące

UWAGA: Należy pamiętać, aby po odłączeniu Systemu zbierania pyłu od narzędzia założyć osłonę kanału powietrza z powrotem na kanał powietrza. Jeśli osłona kanału powietrza nie zostanie założona, wydajność narzędzia może się pogorszyć.

Regulacja ustawienia dyszy pochłaniacza pyłu

Wsunąć i wysunąć prowadnicę dyszy, jednocześnie naciskając przycisk regulacji prowadnicy, a następnie zwolnić przycisk w położeniu, w którym końcówka wiertła znajduje się tuż za przednią powierzchnią dyszy.

► **Rys.24:** 1. Prowadnica 2. Przycisk regulacji prowadnicy 3. Końcówka wiertła 4. Przednia powierzchnia dyszy

WSKAZÓWKA: Przed wyregulowaniem położenia dyszy należy nacisnąć przycisk regulacji prowadnicy, aby zredukować nacisk na prowadnicę dyszy i ustawić ją swobodnie w całkowicie wysuniętym położeniu.

Regulacja głębokości wiercenia

Głębokość wiercenia można wyregulować przez zmianę długości pomiędzy przyciskiem regulacji głębokości a tylną stroną prowadnicy dyszy. Należy nacisnąć i przytrzymać przycisk regulacji głębokości i przesunąć go do wybranego położenia.

► **Rys.25:** 1. Przycisk regulacji głębokości 2. Prowadnica dyszy 3. Głębokości wiercenia

Przechowywanie

UWAGA: Jeśli narzędzie nie będzie używane przez jakiś czas, należy wysunąć prowadnicę dyszy na około 100 mm w odniesieniu do położenia pełnego wycofania. W przeciwnym razie może dojść do uszkodzenia przewodu zainstalowanego wstępnie w prowadnicy dyszy.

► **Rys.26:** 1. Przycisk regulacji prowadnicy 2. Ok. 100 mm

Osłona przeciwpylowa

Osprzęt dodatkowy

Osłony tej należy używać, aby podczas wiercenia w pozycji do góry, np. w suficie, pył nie spadał na narzędzie ani na osobę obsługującą. Osłonę należy zamocować na wiertle, jak okazano na rysunku. Wymiary wiertel, na których można zamocować tę osłonę zostały podane poniżej.

Model	Średnica wiertła
Osłona przeciwpylowa 5	6 – 14,5 mm
Osłona przeciwpylowa 9	12 – 16 mm

► **Rys.27:** 1. Osłona przeciwpylowa

Zestaw przeciwpylowy

Osprzęt dodatkowy

▲PRZESTROGA: Przed zamontowaniem i wymontowaniem zestawu przeciwpylowego należy wyjąć wiertło z narzędzia.

Instalacja

Umieścić zestaw przeciwpylowy na szyjce tulei obudowy przekładni, wyrównując symbol Δ na osłonie przeciwpylowej z jednym z rowków w tulei. Następnie przytrzymać zespół nasadki zestawu przeciwpylowego i wcisnąć go do tulei, aby go zamocować.

► **Rys.28:** 1. Zestaw przeciwpylowy 2. Zespół nasadki 3. Δ Symbol 4. Rowek

WSKAZÓWKA: W przypadku podłączania do osłony przeciwpylowej odkurzacza, należy najpierw wyjąć zatyczkę.

► **Rys.29:** 1. Zatyczka

Zdejbowanie

Należy pociągnąć osłonę uchwytu w dół do oporu i wyciągnąć wiertło.

► **Rys.30:** 1. Wiertło 2. Osłona uchwytu

Należy przytrzymać zespół nasadki zestawu przeciwpylowego i odczepić od narzędzia.

► **Rys.31:** 1. Zespół nasadki

WSKAZÓWKA: Jeśli osłona odczepi się od zestawu przeciwpylowego, należy ją z powrotem założyć w oryginalnym położeniu.

1. Odczepić mieszki od zespołu nasadki zestawu przeciwpylowego.

► **Rys.32:** 1. Mieszki 2. Zespół nasadki

2. Należy założyć osłonę z powrotem na miejsce, tak aby strona drukowana była zwrócona do góry.

► **Rys.33:** 1. Osłona 2. Strona drukowana 3. Rowki 4. Zaczepy górnego otworu 5. Zespół nasadki

3. Należy pamiętać, aby dobrze dopasować rowki wokół osłony do zaczepów górnego otworu zespołu nasadki.

► **Rys.34**

OBŚLUGA

▲PRZESTROGA: Zawsze używać uchwytu bocznego (rękojeści pomocniczej) i podczas pracy trzymać narzędzie mocno za uchwyt boczny i uchwyt z przełącznikiem.

▲PRZESTROGA: Przed rozpoczęciem pracy zawsze należy upewnić się, że materiał obrabiany jest dobrze zamocowany.

▲PRZESTROGA: Nie wyciągać narzędzia na siłę, nawet jeżeli wiertło się zablokuje. Utrata kontroli może spowodować obrażenia ciała.

▲PRZESTROGA: Pochłaniacz pyłu jest przeznaczony tylko do wiercenia w betonie. Nie używać narzędzia z pochłaniaczem pyłu podczas wiercenia w metalu ani drewnie.

▲PRZESTROGA: Podczas używania narzędzia z pochłaniaczem pyłu należy zamocować filtr na pochłaniaczu, aby uniknąć wdychania pyłu.

▲PRZESTROGA: Przed użyciem pochłaniacza pyłu należy sprawdzić, czy filtr nie jest uszkodzony. Niezastosowanie się do tego może spowodować wdychanie pyłu.

▲PRZESTROGA: Pochłaniacz pyłu gromadzi wytwarzany pył ze znaczną wydajnością, ale cały pył może nie zostać zebrany.

UWAGA: Jeśli narzędzie będzie używane nieprzerwanie przez dłuższy czas przy małych prędkościach, nastąpi przeciążenie silnika skutkujące awarią narzędzia.

UWAGA: Nie używać pochłaniacza pyłu podczas wiercenia koronowego ani kucia.


UWAGA: Nie używać pochłaniacza pyłu podczas wiercenia w mokrym betonie; w takim przypadku należy używać zestawu do pracy w mokrych warunkach. Niezastosowanie się do tego może spowodować uszkodzenie.

WSKAZÓWKA: Jeśli akumulator ma niską temperaturę, narzędzie może nie osiągnąć pełni swoich możliwości. W takim przypadku należy rozgrzać akumulator, uruchamiając na pewien czas narzędzie bez obciążenia, aby osiągnąć pełne możliwości narzędzia.

► **Rys.35**

Wiercenie udarowe


▲PRZESTROGA: W momencie przewiercania otworu na wylot, gdy otwór jest zapchany wiórami lub opiłkami bądź w przypadku uderzenia w prętę zbrojeniową znajdującą się w betonie, na narzędzie/wiertło jest wywierana nagle olbrzymia siła skręcająca. **Zawsze używać uchwytu bocznego (rękojeści pomocniczej) i podczas pracy trzymać narzędzie mocno za uchwyt boczny i uchwyt z przełącznikiem.** Niestosowanie się do powyższych zasad może spowodować utratę kontroli nad narzędziem i poważne obrażenia.

Pokręło zmiany trybu pracy należy ustawić w położeniu . Ustawić wiertło w wybranym miejscu, gdzie ma być wywierony otwór, a następnie pociągnąć za spust przełącznika. Nie przeciążać narzędzia. Lekki nacisk daje najlepsze wyniki. Trzymać narzędzie w ustalonej pozycji, uważając, aby wiertło nie wypadło z otworu.

Nie zwiększać nacisku, gdy otwór zapcha się wiórami, opiłkami lub gruzem. Zamiast tego należy pozwolić, aby narzędzie pracowało przez chwilę bez obciążenia, a następnie wyciągnąć wiertło częściowo z otworu. Po kilkukrotnym powtórzeniu tej procedury otwór zostanie oczyszczony i będzie można wznowić wiercenie w normalny sposób.

WSKAZÓWKA: Podczas pracy narzędzia bez obciążenia może wystąpić bicie wiertła. Narzędzie automatycznie eliminuje bicie podczas pracy. Nie ma to wpływu na dokładność wiercenia.

Kucie/podkuwanie/wyburzanie

Pokrętko zmiany trybu pracy należy ustawić w położeniu . Narzędzie należy trzymać mocno oburącz. Włączyć narzędzie i lekko je docisnąć, aby nie odskakiwało w sposób niekontrolowany. Zbyt silny docisk narzędzia nie zwiększa jego skuteczności.

► Rys.36

Wiercenie otworów w drewnie lub metalu

▲PRZESTROGA: Gdy wiertło zaczyna przebijać na wylot otwór w obrabianym elemencie, należy zachować ostrożność i mocno trzymać narzędzie. W momencie przebijania otworu na narzędzie/wiertło wywierana jest olbrzymia siła.

▲PRZESTROGA: Zakleszczone wiertło można łatwo wyjąć, zmieniając kierunek obrotów i wyciągając wiertło. Należy jednak pamiętać, że narzędzie może się gwałtownie cofnąć, jeśli nie będzie mocno trzymane.

▲PRZESTROGA: Elementy obrabiane należy zawsze mocować w imadle lub podobnym uchwycie.

UWAGA: Nie wolno używać trybu „wiercenia udarowego”, gdy w narzędziu jest założony uchwyt wiertarski. Może to spowodować uszkodzenie uchwytu.

Ponadto uchwyt wiertarski odkręci się po włączeniu obrotów wstecznych.

UWAGA: Wywieranie nadmiernego nacisku na narzędzie nie przyspiesza wiercenia. W praktyce, wywieranie nadmiernego nacisku przyczynia się jedynie do uszkodzenia końcówki wiertła, zmniejszenia wydajności i skrócenia okresu eksploatacyjnego narzędzia.

Pokrętko zmiany trybu pracy należy ustawić w położeniu .

Zakładanie zestawu uchwytu wiertarskiego


Osprzęt dodatkowy

Zamocować adapter uchwytu w uchwycie wiertarskim bezkluczykowym z gwintem 1/2"-20, a następnie zamocować uchwyt w narzędziu. Szczegółowe informacje na temat sposobu zakładania nasadki w uchwycie można znaleźć w instrukcjach dot. zakładania wiertła.

► Rys.37: 1. Uchwyt wiertarski bezkluczykowy
2. Adapter uchwytu

Wiercenie z użyciem diamentowego wiertła koronowego

UWAGA: Korzystanie z trybu wiercenia udarowego, gdy używane jest diamentowe wiertło koronowe, może doprowadzić do uszkodzenia tego wiertła.

Używając diamentowego wiertła koronowego, należy zawsze ustawiać pokrętko zmiany trybu pracy w położeniu , „tylko wiercenie”.

Wytrzepywanie pyłu z filtra

Osprzęt dodatkowy

▲PRZESTROGA: Nie należy obracać pokrętkła na pojemniku pyłu, kiedy pojemnik pyłu jest zdjęty z pochłaniacza pyłu. Mogłoby to spowodować wdychanie pyłu.

▲PRZESTROGA: Podczas obracania pokrętkła na pojemniku pyłu narzędzie musi być zawsze wyłączone. Obracanie pokrętkła przy włączonym narzędziu może skutkować utratą kontroli nad narzędziem.

Wytrzepując pył z filtra, który znajduje w pojemniku na pył, można utrzymać wydajność odkurzacza oraz zmniejszyć częstość wyrzucania pyłu.

Trzy razy obrócić pokrętko na pojemniku na pył po zebraniu 50 000 mm³ pyłu lub po zaobserwowaniu spadku wydajności odkurzacza.

WSKAZÓWKA: 50 000 mm³ pyłu odpowiada wierceniu 10 otworów o średnicy ø10 mm i głębokości 65 mm.

► Rys.38: 1. Pojemnik na pył 2. Pokrętko

Usuwanie kurzu

Osprzęt dodatkowy

▲PRZESTROGA: Przed przystąpieniem do prac konserwacyjnych przy narzędziu upewnić się, że jest ono wyłączone, a akumulator został wyjęty.

▲PRZESTROGA: Podczas wyrzucania pyłu należy nosić maskę przeciwpyłową.

▲PRZESTROGA: Opróżnić pojemnik pyłu regularnie, zanim się zapelni. Niezastosowanie się do tego może zmniejszyć wydajność pochłaniacza pyłu i spowodować wdychanie pyłu.

▲PRZESTROGA: Wydajność pochłaniacza pyłu spada w przypadku zatkania filtra w pojemniku pyłu. Filtr należy wymienić na nowy po około 200-krotnym użyciu. Niezastosowanie się do tego może spowodować wdychanie pyłu.

1. Zdjąć pojemnik pyłu, naciskając dźwignię zatrzaśku pojemnika pyłu.

► Rys.39: 1. Dźwignia zatrzaśku

2. Odchylić zaczep blokujący nieco na zewnątrz i otworzyć pokrywę pojemnika pyłu.

► Rys.40: 1. Pokrywa pojemnika pyłu 2. Zaczep blokujący

3. Wyrzucić pył i wyczyścić filtr.

► Rys.41

UWAGA: Podczas czyszczenia filtru należy stuknąć delikatnie ręką w obudowę filtru, aby usunąć kurz. Nie stukać bezpośrednio w filtr, nie dotykać go szczotką ani podobnym narzędziem ani nie przedmuchiwać sprężonym powietrzem. Mogłoby to spowodować uszkodzenie filtra.

Gruszka do przedmuchiwania

Osprzęt dodatkowy

Po wywierceniu otworu można użyć gruszki do przedmuchiwania, aby oczyścić otwór z pyłu.

► Rys.42

Użytkowanie zestawu przeciwpyłowego

Osprzęt dodatkowy

Przyłożyć zestaw przeciwpyłowy do sufitu podczas używania narzędzia.

► Rys.43

UWAGA: Nie używać narzędzia z zestawem przeciwpyłowym podczas wiercenia w metalu ani innym podobnym materiale. Może spowodować to uszkodzenie zestawu przeciwpyłowego ze względu na ciepło wytwarzane przez pył metalowy itp.

UWAGA: Nie zakładać ani nie zdejmować zestawu przeciwpyłowego, gdy w narzędziu jest zamocowane wiertło. Może to spowodować uszkodzenie zestawu przeciwpyłowego i wydostawanie się pyłu.

FUNKCJA AKTYWACJI BEZPRZEWODOWEJ

Co umożliwia funkcja aktywacji bezprzewodowej

Funkcja aktywacji bezprzewodowej pozwala na czystą i komfortową pracę. Poprzez podłączenie do narzędzia obsługiwanego odkurzacza można automatycznie uruchomić odkurzacz, który będzie włączał się wraz z przełącznikiem z narzędzia.

► Rys.44

Aby użyć funkcji aktywacji bezprzewodowej, należy przygotować następujące elementy:

- Złącze bezprzewodowe (Aksesoria opcjonalne)
- Odkurzacz, który obsługuje funkcję aktywacji bezprzewodowej

Następujące informacje dotyczą ustawienia funkcji aktywacji bezprzewodowej. Aby dowiedzieć się więcej na temat szczegółowych procedur, należy zapoznać się z każdą sekcją.

1. Instalacja złącza bezprzewodowego
2. Rejestracja narzędzia w celu używania odkurzacza
3. Uruchamianie funkcji aktywacji bezprzewodowej

Instalacja złącza bezprzewodowego

Aksesoria opcjonalne

▲PRZESTROGA: Podczas montażu złącza bezprzewodowego umieścić narzędzie na płaskiej i stabilnej powierzchni.

UWAGA: Przed rozpoczęciem montażu złącza bezprzewodowego oczyścić narzędzie z pyłu i zabrudzeń. Pył lub zabrudzenia mogą spowodować usterkę w przypadku przedostania się do gniazda złącza bezprzewodowego.

UWAGA: Aby zapobiec usterce spowodowanej przez ładunek elektrostatyczny, dotknąć materiału odprowadzającego wyładowania elektrostatyczne, takiego jak metalowa część narzędzia, przed podniesieniem złącza bezprzewodowego.

UWAGA: Podczas montażu złącza bezprzewodowego należy zawsze upewnić się, że złącze bezprzewodowe zostanie włożone w odpowiednim kierunku, a pokrywa całkowicie zamknięta.

1. Otworzyć pokrywę na narzędziu tak, jak pokazano na ilustracji.

► Rys.45: 1. Pokrywa

2. Włożyć złącze bezprzewodowe do gniazda, a następnie zamknąć pokrywę.

Podczas wkładania złącza bezprzewodowego wyrównać wypusty z wgłębieniami w gnieździe.

► Rys.46: 1. Złącze bezprzewodowe 2. Występ 3. Pokrywa 4. Wgłębienie

Podczas wyjmowania złącza bezprzewodowego powoli otworzyć pokrywę. Zaczepy na tylnej części pokrywy podniosą złącze bezprzewodowe podczas zdejmowania pokrywy.

► Rys.47: 1. Złącze bezprzewodowe 2. Zaczep 3. Pokrywa

Po demontażu złącza bezprzewodowego umieścić je w dołączonej obudowie lub antystatycznym pojemniku.

UWAGA: Należy zawsze korzystać z zaczepów na tylnej części pokrywy podczas demontażu złącza bezprzewodowego. Jeśli zaczepy nie chwycą złącza bezprzewodowego, należy całkowicie zamknąć pokrywę i powoli otworzyć ją ponownie.

Rejestracja narzędzia w celu używania odkurzacza

WSKAZÓWKA: Odkurzacz firmy Makita obsługujący funkcję aktywacji bezprzewodowej jest wymagany do rejestracji narzędzia.

WSKAZÓWKA: Zakończyć montaż złącza bezprzewodowego w narzędziu przed rozpoczęciem rejestracji narzędzia.

WSKAZÓWKA: Podczas rejestracji narzędzia nie naciskać spustu przełącznika ani przycisku zasilania na odkurzaczu.

WSKAZÓWKA: Należy również zapoznać się z instrukcją obsługi odkurzacza.

Jeśli odkurzacz ma zostać aktywowany wraz z przełącznikiem narzędzia, należy najpierw zakończyć rejestrację narzędzia.

1. Zamontować akumulatory w odkurzaczu i narzędziu.
2. Ustawić przełącznik gotowości na odkurzaczu w położeniu „AUTO”.

► **Rys.48:** 1. Przełącznik gotowości

3. Nacisnąć i przytrzymać przez 3 sekundy przycisk aktywacji bezprzewodowej na odkurzaczu, aż do momentu, w którym kontrolka aktywacji bezprzewodowej zacznie migać na zielono. Następnie nacisnąć przycisk aktywacji bezprzewodowej na narzędziu w taki sam sposób.

► **Rys.49:** 1. Przycisk aktywacji bezprzewodowej
2. Kontrolka aktywacji bezprzewodowej

Jeśli odkurzacz i narzędzie zostały pomyślnie sparowane, kontrolki aktywacji bezprzewodowej będą migać na zielono przez 2 sekundy, a następnie zaczną migać na niebiesko.

WSKAZÓWKA: Kontrolki aktywacji bezprzewodowej przestaną migać na zielono po 20 sekundach. Nacisnąć przycisk aktywacji bezprzewodowej na narzędziu, gdy funkcja aktywacji bezprzewodowej na odkurzaczu miga. Jeśli kontrolka aktywacji bezprzewodowej nie miga na zielono, nacisnąć na krótko przycisk aktywacji bezprzewodowej i przytrzymać go ponownie.

WSKAZÓWKA: Podczas przeprowadzania rejestracji dwóch lub więcej narzędzi do jednego odkurzacza należy zakończyć rejestrację danego narzędzia w odpowiedniej kolejności.

Uruchamianie funkcji aktywacji bezprzewodowej

WSKAZÓWKA: Zakończyć rejestrację narzędzia do odkurzacza przed aktywacją bezprzewodową.

WSKAZÓWKA: Należy również zapoznać się z instrukcją obsługi odkurzacza.

Po zarejestrowaniu narzędzia do odkurzacza, urządzenie to będzie automatycznie działać wraz z przełącznikiem narzędzia.

1. Zamontować złącze bezprzewodowe w narzędziu.
2. Podłączyć wąż odkurzacza do narzędzia.

► **Rys.50**

3. Ustawić przełącznik gotowości na odkurzaczu w położeniu „AUTO”.

► **Rys.51:** 1. Przełącznik gotowości

4. Krótko nacisnąć przycisk aktywacji bezprzewodowej na narzędziu. Kontrolka aktywacji bezprzewodowej będzie migać na niebiesko.

► **Rys.52:** 1. Przycisk aktywacji bezprzewodowej
2. Kontrolka aktywacji bezprzewodowej

5. Nacisnąć spust przełącznika narzędzia. Sprawdzić, czy odkurzacz pracuje, gdy spust przełącznika jest naciśnięty.

Aby wstrzymać funkcję aktywacji bezprzewodowej odkurzacza, nacisnąć przycisk aktywacji bezprzewodowej na narzędziu.

WSKAZÓWKA: Kontrolka aktywacji bezprzewodowej na narzędziu przestanie migać na niebiesko w przypadku bezczynności przez 2 godziny. W takim przypadku należy ustawić przełącznik gotowości na odkurzaczu w położeniu „AUTO” i ponownie nacisnąć przycisk aktywacji bezprzewodowej na narzędziu.

WSKAZÓWKA: Odkurzacz uruchomi/wyłączy się z opóźnieniem. W przypadku wykrycia działania przełącznika narzędzia przez odkurzacz występuje opóźnienie.

WSKAZÓWKA: Zasięg łączności złącza bezprzewodowego może się różnić w zależności od lokalizacji i warunków otoczenia.

WSKAZÓWKA: W przypadku zarejestrowania dwóch lub więcej narzędzi do jednego odkurzacza, urządzenie może uruchomić się, nawet jeśli spust przełącznika nie zostanie naciśnięty, ponieważ inny użytkownik korzysta z funkcji aktywacji bezprzewodowej.

Opis stanu kontrolki aktywacji bezprzewodowej

► Rys.53: 1. Kontrolka aktywacji bezprzewodowej

Kontrolka aktywacji bezprzewodowej przedstawia stan funkcji aktywacji bezprzewodowej. Aby dowiedzieć się więcej na temat znaczenia stanu kontrolki, należy zapoznać się z poniższą tabelą.

Stan	Kontrolka aktywacji bezprzewodowej				Opis
	Kolor	 Wył.	 Miga	Czas trwania	
Czuwanie	Niebieska			2 godziny	Aktywacja bezprzewodowa odkurzacza jest dostępna. Kontrolka wyłączy się automatycznie w przypadku bezczynności przez 2 godziny.
				Gdy narzędzie jest uruchomione.	Aktywacja bezprzewodowa odkurzacza jest dostępna, a narzędzie uruchomione.
Rejestracja narzędzia	Zielona			20 sekund	Gotowość do rejestracji narzędzia. Oczekiwanie na zarejestrowanie przez odkurzacza.
				2 sekund	Rejestracja narzędzia została zakończona. Kontrolka aktywacji bezprzewodowej zacznie migać na niebiesko.
Anulowanie rejestracji narzędzia	Czerwona			20 sekund	Gotowość do anulowania rejestracji narzędzia. Oczekiwanie na anulowanie przez odkurzacza.
				2 sekund	Anulowanie rejestracji narzędzia zostało zakończone. Kontrolka aktywacji bezprzewodowej zacznie migać na niebiesko.
Inne	Czerwona			3 sekund	Zasilanie jest dostarczane do złącza bezprzewodowego, a funkcja aktywacji bezprzewodowej uruchamiana.
	Wył.	-		-	Aktywacja bezprzewodowa odkurzacza została zatrzymana.

Anulowanie rejestracji narzędzia do odkurzacza

Podczas anulowania rejestracji narzędzia do odkurzacza należy wykonać następującą procedurę.

1. Zamontować akumulatory w odkurzaczu i narzędziu.
2. Ustawić przełącznik gotowości na odkurzaczu w położeniu „AUTO”.

► Rys.54: 1. Przełącznik gotowości

3. Nacisnąć i przytrzymać przez 6 sekund przycisk aktywacji bezprzewodowej na odkurzaczu. Kontrolka aktywacji bezprzewodowej miga na zielono, a później na czerwono. Następnie nacisnąć przycisk aktywacji bezprzewodowej na narzędziu w taki sam sposób.

- ### ► Rys.55: 1. Przycisk aktywacji bezprzewodowej
2. Kontrolka aktywacji bezprzewodowej

Jeśli anulowanie zostanie zakończone pomyślnie, kontrolki aktywacji bezprzewodowej będą migać na zielono przez 2 sekundy, a następnie zaczną migać na niebiesko.

WSKAZÓWKA: Kontrolki aktywacji bezprzewodowej przestaną migać na czerwono po 20 sekundach. Nacisnąć przycisk aktywacji bezprzewodowej na narzędziu, gdy funkcja aktywacji bezprzewodowej na odkurzaczu miga. Jeśli kontrolka aktywacji bezprzewodowej nie miga na czerwono, nacisnąć na krótko przycisk aktywacji bezprzewodowej i przytrzymać go ponownie.

Rozwiązywanie problemów związanych z funkcją aktywacji bezprzewodowej

Przed oddaniem urządzenia do naprawy należy najpierw przeprowadzić samodzielną kontrolę. W razie napotkania problemu, który nie został wyjaśniony w instrukcji, nie należy próbować demontować urządzenia we własnym zakresie. Należy natomiast zlecić naprawę w autoryzowanym punkcie serwisowym firmy Makita; zawsze z użyciem oryginalnych części zamiennych Makita.

Nieprawidłowe działanie	Prawdopodobna przyczyna (usterka)	Rozwiązanie
Kontrolka aktywacji bezprzewodowej nie świeci/miga.	Złącze bezprzewodowe nie zostało zamontowane w narzędziu. Złącze bezprzewodowe zostało niepoprawnie zamontowane w narzędziu.	Należy poprawnie zamontować złącze bezprzewodowe.
	Zacisk złącza bezprzewodowego i/lub gniazdo jest zabrudzone.	Delikatnie zetrzeć pył i zabrudzenia z zacisku złącza bezprzewodowego i oczyścić gniazdo.
	Przycisk aktywacji bezprzewodowej na narzędziu nie został naciśnięty.	Krótko nacisnąć przycisk aktywacji bezprzewodowej na narzędziu.
	Przełącznik gotowości na odkurzaczu nie znajduje się w położeniu „AUTO”.	Ustawić przełącznik gotowości na odkurzaczu w położeniu „AUTO”.
	Brak zasilania	Podłączyć narzędzia i odkurzacza do zasilania.
Nie można pomyślnie zakończyć rejestracji narzędzia/anulowania rejestracji narzędzia.	Złącze bezprzewodowe nie zostało zamontowane w narzędziu. Złącze bezprzewodowe zostało niepoprawnie zamontowane w narzędziu.	Należy poprawnie zamontować złącze bezprzewodowe.
	Zacisk złącza bezprzewodowego i/lub gniazdo jest zabrudzone.	Delikatnie zetrzeć pył i zabrudzenia z zacisku złącza bezprzewodowego i oczyścić gniazdo.
	Przełącznik gotowości na odkurzaczu nie znajduje się w położeniu „AUTO”.	Ustawić przełącznik gotowości na odkurzaczu w położeniu „AUTO”.
	Brak zasilania	Podłączyć narzędzia i odkurzacza do zasilania.
	Nieprawidłowe działanie	Krótko nacisnąć przycisk aktywacji bezprzewodowej i ponownie wykonać procedurę rejestracji narzędzia/anulowania rejestracji narzędzia.
	Narzędzie i odkurzacza znajdują się w zbyt dużej odległości od siebie (poza zasięgiem łączności).	Zbliżyć narzędzie i odkurzacza do siebie. Maksymalny zasięg łączności wynosi około 10 m, lecz może się różnić w zależności od panujących warunków.
	Przed zakończeniem rejestracji narzędzia/anulowania; – spust przełącznika jest naciśnięty lub; – przycisk zasilania na odkurzaczu znajduje się w położeniu włączenia.	Krótko nacisnąć przycisk aktywacji bezprzewodowej i ponownie wykonać procedurę rejestracji narzędzia/anulowania rejestracji narzędzia.
	Procedury rejestracji narzędzia dotyczące narzędzia lub odkurzacza nie zostały zakończone.	Wykonać jednocześnie procedury związane z rejestracją narzędzia dotyczące narzędzia i odkurzacza.
Zakłócenia radiowe spowodowane przez inne urządzenia, które generują fale radiowe o wysokiej częstotliwości.	Trzymać narzędzie i odkurzacza z dala od urządzeń, takich jak urządzenia Wi-Fi i kuchenki mikrofalowe.	

Nieprawidłowe działanie	Prawdopodobna przyczyna (usterka)	Rozwiązanie
Odkurzacz nie działa wraz z przełącznikiem narzędzia.	Złącze bezprzewodowe nie zostało zamontowane w narzędziu. Złącze bezprzewodowe zostało niepoprawnie zamontowane w narzędziu.	Należy poprawnie zamontować złącze bezprzewodowe.
	Zacisk złącza bezprzewodowego i/lub gniazdo jest zabrudzone.	Delikatnie zetrzeć pył i zabrudzenia z zacisku złącza bezprzewodowego i oczyścić gniazdo.
	Przycisk aktywacji bezprzewodowej na narzędziu nie został naciśnięty.	Krótko nacisnąć przycisk aktywacji bezprzewodowej i upewnić się, że kontrolka aktywacji bezprzewodowej miga na niebiesko.
	Przełącznik gotowości na odkurzaczu nie znajduje się w położeniu „AUTO”.	Ustawić przełącznik gotowości na odkurzaczu w położeniu „AUTO”.
	Zarejestrowano ponad 10 narzędzi do odkurzacza.	Ponownie wykonać rejestrację narzędzia. W przypadku zarejestrowania ponad 10 narzędzi do odkurzacza narzędzie zarejestrowane najwcześniej zostanie automatycznie anulowane.
	Odkurzacz usunął wszystkie rejestracje narzędzi.	Ponownie wykonać rejestrację narzędzia.
	Brak zasilania	Podłączyć narzędzia i odkurzacz do zasilania.
	Narzędzie i odkurzacz znajdują się w zbyt dużej odległości od siebie (poza zasięgiem łączności).	Zbliżyć narzędzie i odkurzacz do siebie. Maksymalny zasięg łączności wynosi około 10 m, lecz może się różnić w zależności od panujących warunków.
	Zakłócenia radiowe spowodowane przez inne urządzenia, które generują fale radiowe o wysokiej częstotliwości.	Trzymać narzędzie i odkurzacz z dala od urządzeń, takich jak urządzenia Wi-Fi i kucharki mikrofalowe.
Odkurzacz pracuje, gdy spust przełącznika narzędzia nie jest naciśnięty.	Inni użytkownicy korzystają z funkcji aktywacji bezprzewodowej przy użyciu narzędzi.	Ustawić przycisk aktywacji bezprzewodowej innych narzędzi w położeniu wyłączenia lub anulować rejestrację innych narzędzi.

KONSERWACJA

⚠ PRZESTROGA: Przed przystąpieniem do przeglądu narzędzia lub jego konserwacji upewnij się, że jest ono wyłączone, a akumulator wyjęty.

UWAGA: Nie stosować benzyny, rozpuszczalników, alkoholu itp. środków. Mogą one powodować odbarwienia, odkształcenia lub pęknięcia.

W celu zachowania odpowiedniego poziomu BEZPIECZEŃSTWA i NIEZAWODNOŚCI produktu wszelkie naprawy i różnego rodzaju prace konserwacyjne lub regulacje powinny być przeprowadzane przez autoryzowany lub fabryczny punkt serwisowy narzędzi Makita, zawsze z użyciem oryginalnych części zamiennych Makita.

Wymiana filtra pojemnika pyłu

Osprzęt dodatkowy

- Zdjąć pojemnik pyłu, naciskając dźwignię zatrzaśku pojemnika pyłu.
► **Rys.56:** 1. Dźwignia zatrzaśku
- Odchylić zaczep blokujący nieco na zewnątrz i otworzyć pokrywę pojemnika pyłu.
► **Rys.57:** 1. Pokrywa pojemnika pyłu 2. Zaczep blokujący
- Umieścić płaski śrubokręt między obudową filtra i pokrywą pojemnika pyłu, jak pokazano na rysunku. Wcisnąć boczne ścianki obudowy filtra i zdjąć obudowę filtra, używając płaskiego śrubokrętu.
► **Rys.58:** 1. Płaski śrubokręt 2. Obudowa filtra 3. Pokrywa pojemnika pyłu

- Wypchnąć filtr z obudowy filtra, jak pokazano na rysunku.

► **Rys.59:** 1. Filtr 2. Obudowa filtra

- Włożyć nowy filtr do obudowy filtra. Umieścić obudowę filtra z powrotem na pojemniku pyłu, wyrównując występ prowadzący na obudowie filtra z rowkiem w pojemniku pyłu.

► **Rys.60:** 1. Występ prowadzący 2. Rowek

- Zamknąć pokrywę pojemnika pyłu, a następnie zamocować ponownie pojemnik pyłu w Systemie zbierania pyłu.

Wymiana zaślepki uszczelniającej

Osprzęt dodatkowy

Systematycznie wymieniać zaślepkę uszczelniającą, ponieważ zużyta lub uszkodzona zaślepka może wpływać na wydajność ssania.

- Włożyć śrubokręt płaski, tak aby jego płaskie powierzchnie były ustawione pionowo, do jednego z otworów zwalniających znajdujących się po bokach głowicy dyszy. Ustawić płaski śrubokręt pod kątem, tak aby ściśnąć i wyjąć sześcienny zaczep zaślepki uszczelniającej z gniazodka. Następnie oderwać gumowe krawędzie zaślepki uszczelniającej z oprawek w otworze głowicy dyszy.
► **Rys.61:** 1. Zaślepka uszczelniająca 2. Zaczep sześcienny 3. Otwór zwalniający 4. Głowica dyszy
- Umieścić jeden z zaczepów sześciennych zaślepki uszczelniającej w gniazdku w głowicy dyszy, tak aby powierzchnia z wgłębieniem zaślepki uszczelniającej była skierowana do przodu.
► **Rys.62:** 1. Zaczepy sześcienne 2. Gniazdko 3. Zaślepka uszczelniająca 4. Powierzchnia z wgłębieniem

3. Umieścić kolejny zaczepek w gniazdku po przeciwnej stronie głowicy dyszy, ustawiając zaślepkę uszczelniającą tak, aby była dokładnie dopasowana do głowicy dyszy.

► **Rys.63:** 1. Zaślepka uszczelniająca 2. Zaczepek sześcienny 3. Gniazdko 4. Głowica dyszy 5. Oprawki

4. Delikatnie umieścić gumowe krawędzie zaślepek uszczelniającej w oprawkach w otworze głowicy dyszy do dołu do góry.

► **Rys.64:** 1. Gumowe krawędzie 2. Zaślepka uszczelniająca 3. Głowica dyszy

AKCESORIA OPCJONALNE

⚠ PRZESTROGA: Zaleca się stosowanie wymienionych akcesoriów i przystawek razem z narzędziem Makita opisanym w niniejszej instrukcji.

Stosowanie innych akcesoriów lub przystawek może być przyczyną obrażeń ciała. Akcesoria lub przystawki należy wykorzystywać tylko zgodnie z ich przeznaczeniem.

W razie potrzeby wszelkiej pomocy i szczegółowych informacji na temat niniejszych akcesoriów udzieli Państwu lokalne punkty serwisowe Makita.

- Wiertła z końcówką widiową (wiertła SDS-Plus z końcówką widiową)
- Wiertło koronowe
- Punktak
- Diamentowe wiertło koronowe
- Przecinak do pracy na zimno
- Dłuto do skuwania
- Dłuto do rowków
- Zestaw wiertarski (adapter uchwytu / uchwyt wiertarski)
- Smar do wiertel
- Ogranicznik głębokości
- Gruszka do przedmuchiwania
- Osłona przeciwpyłowa
- Zestaw przeciwpyłowy
- Zestaw zaczepu
- Zestaw przeciwpyłowy
- Zestaw filtra
- Łącznik
- Pochłaniacz pyłu
- Złącze bezprzewodowe
- Gogle ochronne
- Oryginalny akumulator i ładowarka firmy Makita

WSKAZÓWKA: Niektóre pozycje znajdujące się na liście mogą być dołączone do pakietu narzędziowego jako akcesoria standardowe. Mogą to być różne pozycje, w zależności od kraju.

RÉSZLETES LEÍRÁS

Típus:		HR007G
Teljesítmény	Beton	28 mm
	Magfúró	54 mm
	Gyémánt magfúró (száraz típus)	65 mm
	Acél	13 mm
	Fa	32 mm
Üresjárat fordulatszám		0 - 980 min ⁻¹
Lökésszám percenként		0 - 5 000 min ⁻¹
Névleges feszültség		Max. 36 - 40 V egyenáram
Teljes hossz	BL4025-el	458 mm
	BL4040-el	473 mm
Nettó tömeg		3,8 - 4,8 kg

Opcionális kiegészítő

Típus:		DX15
Szívóteljesítmény		290 l/min
Működési útés		Akár 190 mm
Alkalmazható fúróhegy		Akár 260 mm
Nettó tömeg		1,3 kg

- Folyamatos kutató- és fejlesztőprogramunk eredményeként az itt felsorolt tulajdonságok figyelmeztetés nélkül megváltozhatnak.
- A tulajdonságok országról országra különbözhetnek.
- A súly a felszerelt tartozékoktól függően változhat, az akkumulátort is beleértve. Az EPTA 01/2014 eljárás szerint meghatározott legnehezebb, illetve legkönnyebb kombináció a táblázatban látható.

Alkalmazható akkumulátorok és töltők

Akkumulátor	BL4020* / BL4025* / BL4040* / BL4050F * : Javasolt akkumulátor
Töltő	DC40RA / DC40RB / DC40RC

- Lakóhelyétől függően előfordulhat, hogy a fent felsorolt akkumulátorok és töltők nem érhetőek el.

▲ FIGYELMEZTETÉS: Csak a fentiekben felsorolt akkumulátorokat és töltőket használja. Bármilyen más akkumulátor vagy töltő használata sérüléseket és/vagy tüzet okozhat.

Ajánlott kábellel csatlakoztatott áramforrás

Hordozható tápegység	PDC01 / PDC1200
----------------------	-----------------

- Lakóhelyétől függően előfordulhat, hogy a fent felsorolt kábellel csatlakoztatott áramforrás(ok) nem érhető(k) el.
- A kábellel csatlakoztatott áramforrás használata előtt olvassa el az utasításokat és a figyelmeztető jeleket.

Rendeltetés

A szerszám téglá, beton és kő útfeúrására és fúrására, valamint vésési munkák végzésére használható. Emellett útés nélküli fúrásra fa, fém, kerámia és műanyag esetében.

Zaj

A tipikus A-súlyozású zajszint, a EN60745-2-6 szerint meghatározva:

HR007G típus
Hangnyomásszint (L_{pA}): 94 dB(A)
Hangteljesítményszint (L_{WA}): 105 dB (A)
Bizonytalanság (K): 3 dB(A)

HR007G típus DX15-el
Hangnyomásszint (L_{pA}): 93 dB(A)
Hangteljesítményszint (L_{WA}): 104 dB (A)
Bizonytalanság (K): 3 dB(A)

MEGJEGYZÉS: A zajkibocsátás értéke a szabványos vizsgálati eljárásnak megfelelően lett mérve, és segítségével az elektromos kéziszerszámok összehasonlíthatók egymással.

MEGJEGYZÉS: A zajkibocsátás értékének segítségével előzetesen megbecsülhető a rezgésnek való kitettség mértéke.

▲FIGYELMEZTETÉS: Viseljen fülvédőt!

▲FIGYELMEZTETÉS: A szerszám zajkibocsátása egy adott alkalmazásnál eltérhet a megadott értéktől a használat módjától, különösen a feldolgozott munkadarab fajtájától függően.

▲FIGYELMEZTETÉS: Határozza meg a kezelő védelmét szolgáló munkavédelmi lépéseket, melyek az adott munkafeltételek melletti vibrációs hatás becslült mértékén alapulnak (figyelembe véve a munkaciklus elemeit, mint például a gép leállításának és üresjáratának mennyiségét az elindítások száma mellett).

Vibráció

A következő táblázat a vibráció összértékét (háromtengelyű vektorösszeg) mutatja, amelyet a vonatkozó szabványoknak megfelelően határoztak meg.

Üzem mód	Rezgési-kibocsátás	Bizonytalanság (K)	Hatályos szabvány
Beton ütévfúrása ($a_{h, HD}$)	7,5 m/s ²	1,5 m/s ²	EN60745-2-6
Beton ütévfúrása DX15-tel ($a_{h, HD}$)	8,1 m/s ²	1,5 m/s ²	EN60745-2-6
Vésési funkció oldalmarkolattal ($\dot{a}_{h, Chex}$)	8,6 m/s ²	1,5 m/s ²	EN60745-2-6
Fém fúrása ($a_{h, D}$)	2,8 m/s ²	1,5 m/s ²	EN60745-2-1

MEGJEGYZÉS: A rezgés teljes értéke a szabványos vizsgálati eljárásnak megfelelően lett mérve, és segítségével az elektromos kéziszerszámok összehasonlíthatók egymással.

MEGJEGYZÉS: A rezgés teljes értékének segítségével előzetesen megbecsülhető a rezgésnek való kitettség mértéke.

▲FIGYELMEZTETÉS: A szerszám rezgés-kibocsátása egy adott alkalmazásnál eltérhet a megadott értéktől a használat módjától, különösen a feldolgozott munkadarab fajtájától függően.

▲FIGYELMEZTETÉS: Határozza meg a kezelő védelmét szolgáló munkavédelmi lépéseket, melyek az adott munkafeltételek melletti vibrációs hatás becslült mértékén alapulnak (figyelembe véve a munkaciklus elemeit, mint például a gép leállításának és üresjáratának mennyiségét az elindítások száma mellett).

EK Megfelelőségi nyilatkozat

Csak európai országokra vonatkozóan

Az EK-megfelelőségi nyilatkozat az útmutató „A” mellékletében található.

BIZTONSÁGI FIGYELMEZTETÉS

A szerszámgépekre vonatkozó általános biztonsági figyelmeztetések

▲FIGYELMEZTETÉS: Olvassa el a szerszámgéphez mellékelt összes biztonsági figyelmeztetést, utasítást, illusztrációt és a műszaki adatokat. A következőkben leírt utasítások figyelmen kívül hagyása elektromos áramütést, tüzet és/vagy súlyos sérülést eredményezhet.

Őrizzen meg minden figyelmeztetést és utasítást a későbbi tájékozódás érdekében.

A figyelmeztetésekből szereplő "szerszámgép" kifejezés az Ön hálózatról (vezetékes) vagy akkumulátorról (vezeték nélküli) működtetett szerszámgépére vonatkozik.

AZ AKKUMULÁTOROS FÚRÓKALAPÁCSRA VONATKOZÓ BIZTONSÁGI FIGYELMEZTETÉSEK

1. **Viseljen fülvédőt.** A zajterhelés halláskárosodást okozhat.
2. **Használja a szerszámhoz mellékelt kiegészítő fogantyúkat.** Az irányítás elvesztése személyi sérülést okozhat.
3. **A szerszámgépet a szigetelt markolófelületénél fogja, ha olyan műveletet végez, amikor a vágóeszköz rejtett vezetékkel érintkezhet.** Áram alatt lévő vezetékkel való érintkezéskor a szerszám fém alkatrészei is áram alá kerülhetnek, és megrázzhatják a kezelőt.
4. **Viseljen védősisakot, védőszemüveget és/vagy arcvédőt. A normál szemüvegek és a nap-szemüvegek NEM védőszemüvegek.** Emellett különösen javasolt porvédő maszk és vastag kesztyű használata is.
5. **A használat megkezdése előtt ellenőrizze, hogy a védőszerszám rögzítve van-e.**
6. **A szerszám úgy lett tervezve, hogy normál működés során rezgésbe jöjjön. A csavarok könnyen meglazulhatnak, meghibásodást vagy balesetet okozva. A használat előtt gondosan ellenőrizze a csavarok szorosságát.**
7. **Hideg időben, vagy ha hosszabb ideig nem használta, terhelés nélkül működtetve hagyja, hogy a szerszám bemelegedjen. Ezáltal felenged a kenőanyag. Megfelelő bemelegítés nélkül a vésési művelet nehézkes.**
8. **Mindig stabil helyzetben dolgozzon. A szerszám magasban történő használatkor győződjön meg arról, hogy nem tartózkodik-e valaki odalent.**
9. **Szilárdan tartsa a szerszámot mindkét kezével.**
10. **Tartsa távol a kezeit a mozgó alkatrészekről.**

11. Ne hagyja a működő szerszámot felügyelet nélkül. Csak kézben tartva használja a szerszámot.
12. Ne fordítsa a szerszámot a munkaterületen tartózkodó személyek felé működés közben. A fűrőhegy kirepülhet, és valakit súlyosan megsebesíthet.
13. Ne érjen a fűrőhegyhez, az ahhoz közeli alkatrészekhez vagy a munkadarabhoz közvetlenül a munkavégzést követően; azok rendkívül forrók lehetnek és megégethetik a bőrt.
14. Egyes anyagok mérgező vegyületet tartalmazhatnak. Gondoskodjon a por belélegzése elleni és érintés elleni védelemről. Tartsa be az anyag szállítójának biztonsági utasításait.
15. Mielőtt más kezébe adná a szerszámot minden esetben ellenőrizze, hogy a szerszám ki van kapcsolva, és az akkumulátor és a fűrőhegy eltávolításra került.
16. Működtetés előtt győződjön meg arról, hogy a munkaterületen nincs rejtett tárgy, például elektromos cső, vízcső vagy gázcső. Ellenkező esetben a fűrőhegy/véső hozzájuk érhet, ami áramütést, elektromos szívgárgást vagy gázszívgárgást okozhat.
17. Ne működtesse a szerszámot terhelés nélkül fölöslegesen.
6. Ne tárolja és használja a szerszámot vagy az akkumulátort olyan helyen, ahol a hőmérséklet elérheti vagy meghaladhatja az 50 °C-t (122 °F).
7. Ne égesse el az akkumulátort még akkor sem, ha az komolyan megsérült vagy teljesen elhasználódott. Az akkumulátor a tűzben felrobbanhat.
8. Ne szúrja meg, ne vágja meg, ne törje össze, ne dobja el és ne ejtse le az akkumulátort, illetve ne üsse hozzá kemény tárgyhoz. Az ilyen magatartás tüzet, túlzott hőt vagy robbanást okozhat.
9. Ne használjon sérült akkumulátort.
10. A készülékben található lítium-ion akkumulátorok a veszélyes árukkal kapcsolatos előírások vonatkoznak.
A termék pl. harmadik felek, fuvarozó cégek stb. által történő szállítása esetén minden esetben tartsa szem előtt a csomagoláson és a címkén található speciális követelményeket.
A termék szállításra történő felkészítése esetén vegye fel a kapcsolatot egy veszélyes anyagokkal foglalkozó szakemberrel. Kérjük, hogy az esetlegesen szigorúbb nemzeti előírásokat is vegye figyelembe.
Ragassza le a kiálló érintkezőket, illetve oly módon csomagolja be az akkumulátort, hogy az ne tudjon elmozdulni a csomagolásban.

ŐRIZZE MEG EZEKET AZ UTASÍTÁSOKAT.

▲ FIGYELMEZTETÉS: NE HAGYJA, hogy (a termék többszöri használatából eredő) kényelem és megszokás váltsa fel a termék biztonsági előírásainak szigorú betartását. A **HELYTELEN HASZNÁLAT** és a használati útmutatóban szereplő biztonsági előírások megszegése súlyos személyi sérülésekhez vezethet.

Fontos biztonsági utasítások az akkumulátorra vonatkozóan

1. Az akkumulátor használata előtt tanulmányozza át az akkumulátortöltőn (1), az akkumulátoron (2) és az akkumulátorral működtetett terméken (3) olvasható összes utasítást és figyelmeztető jelzést.
2. Ne szerelje szét, és ne módosítsa az akkumulátort. Tüzet, túlzott hőt vagy robbanást okozhat.
3. Ha a működési idő nagyon lerövidült, azonnal hagyja abba a használatot. Ez a túlmelegedés, esetleges égések és akár robbanás veszélyével is járhat.
4. Ha elektrolit kerül a szemébe, mossa ki azt tiszta vízzel és azonnal kérjen orvosi segítséget. Ez a látásának elvesztését okozhatja.
5. Ne zárja rövide a akkumulátort:
 - (1) Ne érjen az érintkezőkhöz elektromosan vezető anyagokkal.
 - (2) Ne tárolja az akkumulátort más fémtárgyakkal, mint pl. szegekkel, érmekkel, stb. egy helyen.
 - (3) Ne tegye ki az akkumulátort víznek vagy esőnek.
6. Használat közben és után az akkumulátor felforrósodhat, ami égési sérülést vagy alacsony hőmérsékletű égési sérülést okozhat. Figyeljen oda a forró akkumulátor kezelésére.
7. Ne érintse meg közvetlenül a szerszám érintkezőjét, mert elég forró lehet ahhoz, hogy égési sérüléseket okozzon.
8. Ne engedje, hogy forgács, por vagy sár tapadjon az akkumulátor érintkezőire, lyukaiba és hornyaiba. Az felmelegedést, tüzet, robbanást és a szerszám vagy az akkumulátor meghibásodását okozhatja, ami égési és személyi sérülésekhez vezet.
9. Hacsak a szerszám nem támogatja a nagyfeszültségű elektromos vezetékek közelében történő használatot, ne használja az akkumulátort nagyfeszültségű elektromos vezetékek közelében. Az a szerszám vagy az akkumulátor hibás működését vagy meghibásodását okozhatja.
10. Tartsa távol a gyerekektől az akkumulátort.

ŐRIZZE MEG EZEKET AZ UTASÍTÁSOKAT.

Az akkumulátor rövidzárlata nagy áramerősséget, túlmelegedést, égéseket, sőt akár meghibásodást is okozhat.

⚠ VIGYÁZAT: Csak eredeti Makita akkumulátorokat használjon. A nem eredeti Makita akkumulátorok vagy módosított akkumulátorok használata esetén az akkumulátor felrobbanhat, ami tüzet, személyi sérülést és anyagi kárt okozhat. A Makita szerszáma és töltőre vonatkozó Makita garanciát is érvénytelenítheti.

Tippek az akkumulátor maximális élettartamának eléréséhez

1. Töltse fel az akkumulátort, mielőtt teljesen lemerülne. Állítsa le a gépet, és töltse fel az akkumulátort, ha a gép erejének csökkenését észleli.
2. Soha ne töltse újra a teljesen feltöltött akkumulátort. A túltöltés csökkenti az akkumulátor élettartamát.
3. Töltse az akkumulátort szobahőmérsékleten, 10 °C - 40 °C (50 °F - 104 °F) között. Töltés előtt hagyja lehűlni a fölforrósodott akkumulátort.
4. Ha nem használja az akkumulátort, vegye ki a szerszámból vagy a töltőből.
5. Töltse fel az akkumulátort, ha hosszabb ideje (több mint hat hónapja) nem használta azt.

Fontos biztonsági utasítások a vezeték nélküli egységhez

1. Ne szerelje szét és ne módosítsa a vezeték nélküli egységet.
2. Tartsa távol a gyermekektől a vezeték nélküli egységet. Véletlen lenyelés esetén azonnal kérjen orvosi segítséget.
3. A vezeték nélküli egységet csak Makita szerszámgépekkel használja.
4. Ne tegye ki a vezeték nélküli egységet esőnek vagy nedves körülményeknek.
5. Ne használja a vezeték nélküli egységet olyan helyen, ahol a hőmérséklet meghaladja a 50 °C.
6. Ne használja a vezeték nélküli egységet orvosi berendezések, például pacemaker közelében.
7. Ne használja a vezeték nélküli egységet automatizált berendezések közelében. A működése közben az automatizált berendezések rendellenesen működhetnek vagy meghibásodhatnak.
8. Ne működtesse a vezeték nélküli egységet magas hőmérsékletű helyen olyan helyen, ahol statikus elektromosság vagy elektromos zaj keletkezhet.
9. A vezeték nélküli egység a felhasználóra veszélyt nem jelentő elektromágneses mezőt (EMF) hozhat létre.
10. A vezeték nélküli egység finom műszer. Vigyázzon, nehogy leejtse, vagy ütés érje a vezeték nélküli egységet.
11. Ne érintse meg a vezeték nélküli egység érintkezőit pusztá kézzel vagy fémes anyaggal.
12. A vezeték nélküli egység beszereplésekor mindig távolítsa el a termék akkumulátorát.
13. A nyílás fedelének nyitáskor kerülje az olyan helyeket, ahol por vagy víz juthat a nyílásba. Mindig tartsa tisztán a bemeneti nyílást.
14. A vezeték nélküli egységet csak a helyes irányban illessze be.
15. Ne nyomja meg túl erősen és/vagy éles széllel rendelkező tárggyal a vezeték nélküli egységen található vezeték nélküli aktiválás gombot.
16. A nyílás fedelét a használatot követően mindig zárja be.
17. Ne távolítsa el a vezeték nélküli egységet a nyílásból, amíg a szerszám gép áram alatt van. Ha így tesz, az a vezeték nélküli egység meghibásodásához vezethet.
18. Ne távolítsa el a vezeték nélküli egységen található matricát.
19. Ne ragasszon matricát a vezeték nélküli egységre.
20. Ne hagyja olyan helyen a vezeték nélküli egységet, ahol statikus elektromosság vagy elektromos zaj keletkezhet.
21. Ne hagyja a vezeték nélküli egységet olyan helyen, ahol a magas hőmérsékletnek lehet kitéve, például egy autóban a napon.
22. Ne hagyja a vezeték nélküli egységet poros helyen, vagy olyan helyen, ahol korrozív gáz képződhet.
23. A hirtelen hőmérsékletváltozás következtében pára csapódhat le a vezeték nélküli egységen. Ne használja a vezeték nélküli egységet, amíg teljesen meg nem száradt.
24. A vezeték nélküli egység tisztításakor törölje át puha ronggyal. Ne használjon benzint, higítót, vezető kenőanyagot vagy más hasonló anyagot.
25. A vezeték nélküli egységet a vele szállított tokban vagy antisztatikus tárolóban tárolja.
26. A szerszám gépen található nyílásba csak a Makita vezeték nélküli egységet csatlakoztassa.
27. Ne használja a szerszám gépet, ha a nyílás fedele sérült. A nyílásba bejutó víz, por és szennyeződések hibát okozhatnak.
28. Ne húzza és/vagy fordítsa el a fedelet a szükségesnél nagyobb mértékben. Szerelje vissza a fedelet, ha leválik a szerszám gépről.
29. Ha a nyílás fedele elveszik vagy megsérül, cserélje ki.

ŐRIZZE MEG EZEKET AZ UTASÍTÁSOKAT.

A MŰKÖDÉS LEÍRÁSA

⚠ VIGYÁZAT: Minden esetben ellenőrizze, hogy a szerszám ki van kapcsolva és az akkumulátor eltávolításra került mielőtt beállít vagy ellenőriz valamilyen funkciót a szerszámon.

Az akkumulátor behelyezése és eltávolítása

⚠ VIGYÁZAT: Mindig kapcsolja ki az eszközt, mielőtt behelyezi vagy eltávolítja az akkumulátort.

⚠ VIGYÁZAT: Az akkumulátor behelyezésekor vagy eltávolításakor erősen fogja meg a szerszámot és az akkumulátort. Ha nem fogja erősen a szerszámot és az akkumulátort, azok kicsúszhatnak a kezei közül, ami a szerszám és az akkumulátor károsodásához, de akár személyi sérüléshez is vezethet.

▶ **Ábra1:** 1. Piros jel 2. Gomb 3. Akkumulátor

Az akkumulátoregység kivételéhez nyomja be az akkumulátoregység elején található gombot, és húzza le a gépről.

Az akkumulátor beszereléséhez illessze az akkumulátor nyelvét a burkolaton található vajatba, és csúsztassa a helyére. Egészen addig tolja be, amíg az akkumulátor egy kis kattánással a helyére nem ugrik. Ha látható a piros jel az ábrán látható módon, akkor nem kattant be teljesen.

⚠ VIGYÁZAT: Mindig tolja be teljesen az akkumulátort, amíg a piros jel el nem tűnik. Ha ez nem történik meg, akkor az akkumulátor kieshet a szerszámból, és Önnek vagy a környezetében másnak sérülést okozhat.

⚠ VIGYÁZAT: Ne erőltesse az akkumulátort behelyezéskor. Ha az akkumulátor nem csúszik be könnyedén, akkor nem megfelelően lett behelyezve.

Az akkumulátor töltöttségének jelzése

Nyomja meg az ellenőrzőgombot, hogy az akkumulátortöltöttség-jelző megmutassa a hátralévő akkumulátor-kapacitást. Ekkor a töltöttségjelző-jelző lámpák néhány másodpercig kigyulladnak.

▶ **Ábra2:** 1. Jelzőlámpák 2. Check (ellenőrzés) gomb

Jelzőlámpák			Töltöttségi szint
Világító lámpa	KI	Villogó lámpa	
■	□	▬	75%-tól 100%-ig
■	■	□	50%-tól 75%-ig
■	□	□	25%-tól 50%-ig
■	□	□	0%-tól 25%-ig
▬	□	□	Töltse fel az akkumulátort.
■	■	□	Lehetséges, hogy az akkumulátor meghibásodott.
□	□	■	

MEGJEGYZÉS: Az adott munkafeltételektől és a környezet hőmérsékletétől függően a jelzett töltöttségi szint némileg eltérhet a tényleges töltöttségi szinttől.

MEGJEGYZÉS: Az első (bal oldali szélső) jelzőlámpa villog, ha az akkumulátorvédő rendszer működik.

Szerszám-/akkumulátorvédő rendszer

A gép szerszám-/akkumulátorvédő rendszerrel van felszerelve. A rendszer automatikusan kikapcsolja a motor áramellátását, így megnöveli a szerszám és az akkumulátor élettartamát. A gép használat közben automatikusan leáll, ha a szerszám vagy az akkumulátor a következő állapotok valamelyikébe kerül:

Túlterhelésvédelem

Ha az akkumulátort úgy használják, hogy az rendelkezéses nagy áramot vesz fel, akkor a szerszám mindenféle jelzés nélkül leáll. Ilyenkor kapcsolja ki a gépet, és fejezze be azt a műveletet, amelyik a túlterhelést okozza. Az újraindításhoz kapcsolja be a gépet.

Túlmelegedés elleni védelem

Ha a szerszám vagy az akkumulátor túlmelegedett, a gép automatikusan leáll. Ilyenkor hagyja lehűlni a szerszámot és az akkumulátort, mielőtt ismét munkához látna.

MEGJEGYZÉS: Ha a szerszám túlmelegszik, a lámpa elkezd villogni.

Mélykisütés elleni védelem

Amikor az akkumulátor kapacitása már alacsony, a gép automatikusan leáll. Ebben az esetben távolítsa el az akkumulátort a szerszámból és töltsse fel.

Egyéb okok elleni védelem

A védelmi rendszert más olyan okok ellen is tervezték, amelyek károsíthatják a szerszámot és amelyek lehetővé teszik, hogy a szerszám automatikusan leálljon. Hajtsa végre az alábbi összes lépést az okok tisztázása érdekében, ha a szerszám ideiglenesen vagy teljesen leállt.

1. Kapcsolja ki a szerszámot, majd kapcsolja be ismét az újraindításhoz.
2. Töltsse fel az akkumulátort(oka)t vagy cserélje ki azt/azokat újratöltött akkumulátorral.
3. Hagyja, hogy a szerszám és az akkumulátor(ok) lehűljenek.

Ha nem történik javulás a védelmi rendszer helyreállítása után sem, forduljon a helyi Makita Szervizközpontozhoz.

A kapcsoló használata

⚠ FIGYELMEZTETÉS: Mielőtt behelyezi az akkumulátort a szerszámba, mindig ellenőrizze, hogy a kapcsológomb hibátlanul működik és felengedéskor „OFF” állásba áll-e.

▶ **Ábra3:** 1. Kapcsológomb

A szerszám bekapcsolásához húzza meg a kapcsológombot. Ha erősebben nyomja a kapcsológombot, a szerszám fordulatszáma növekszik. A megállításához engedje el a kapcsológombot.

Az első lámpa bekapcsolása

► **Ábra4:** 1. Lámpa

⚠VIGYÁZAT: Ne tekintsen a fénybe vagy ne nézze egyenesen a fényforrást.

Húzza meg a kapcsológombot a lámpa bekapcsolásához. A lámpa addig világít, amíg a kapcsológomb meg van húzva. A lámpa a kapcsológomb elengedése után 10 másodperccel alszik ki.

⚠VIGYÁZAT: Ha a lámpa néhány másodpercnyi villogás után kialszik, akkor az aktív visszacsatolás-érzékelő technológia nem működik megfelelően. Javításért forduljon a helyi Makita szervizközpontoz.

MEGJEGYZÉS: Száraz ruhadarabbal törölje le a szennyeződést a lámpa lencséjéről. Ügyeljen arra hogy ne karcolja meg a lámpa lencséjét, ez csökkentheti a megvilágítás erősségét.

MEGJEGYZÉS: Az első lámpát nem lehet használni, ha porgyűjtő rendszerrel (opcionális kiegészítő) van felszerelve a szerszám.

Forgásirányváltó kapcsolókar működése

► **Ábra5:** 1. Forgásirányváltó kapcsolókar

⚠VIGYÁZAT: Használat előtt mindig ellenőrizze a beállított forgásirányt.

⚠VIGYÁZAT: A forgásirányváltó kapcsolókat csak azután használja, hogy a szerszám teljesen megállt. A forgásirány megváltoztatása a szerszám leállása előtt a gép károsodását okozhatja.

⚠VIGYÁZAT: Amikor nem működtet a szerszámot, a forgásirányváltó kapcsolókat mindig állítsa a semleges állásba.

Ez a szerszám forgásirányváltó kapcsolókkal van felszerelve a forgásirány megváltoztatásához. Váltás át a forgásirányváltó kapcsolókat az A oldalról az óramutató járásával megegyező vagy a B oldalról az azzal ellentétes irányú forgáshoz.


Amikor az irányváltó kapcsolókar semleges pozícióban van, akkor a kapcsológombot nem lehet behúzni.

A működési mód kiválasztása

MEGJEGYZÉS: Ne fordítsa el a működési mód váltó gombot, ha a szerszám működik. A szerszám károsodna.


MEGJEGYZÉS: A működési mód váltó mechanizmus gyors kopásának elkerülése érdekében ügyeljen arra, hogy a működési mód váltó gomb mindig teljesen a három működési módnak megfelelő pozíció egyikében legyen.

Ütvefűrés

Betonba, falazatba, stb. fűréshez fordítsa a működési mód váltó gombot a  jelölésre a rajta található kioldógomb nyomva tartása mellett. Használjon volfrám-karbid végű fűrőhegyet (opcionális kiegészítő).


► **Ábra6:** 1. Ütvefűrés 2. Működési mód váltó gomb 3. Kioldógomb

Csak fűrés

Fába, fémbe vagy műanyagba fűréshez forgassa a működési mód váltó gombot a  jelölésre a rajta található kioldógomb nyomva tartása mellett. Csigafűró fűrőhegyet vagy fafűró fűrőhegyet használjon.

► **Ábra7:** 1. Csak fűrés

Csak vésés

Véséshez, kaparáshoz vagy bontáshoz fordítsa a működési mód váltó gombot a  jelölésre a rajta található kioldógomb nyomva tartása mellett. Használjon fűrőrudat, bontóvésőt, kaparóvésőt stb.

► **Ábra8:** 1. Csak vésés

Akasztó

Opcionális kiegészítők

⚠VIGYÁZAT: Mindig vegye ki az akkumulátort a szerszámból, amikor felakasztja azt az akasztóval.

⚠VIGYÁZAT: Soha ne akassza a szerszámot magas helyre vagy nem teljesen stabil felületre.

Az akasztó a gép ideiglenes felakasztására szolgál.

Az akasztó felszerelése előtt távolítsa el a gumidugót a csavarfuratokból a tartókonzolon. Helyezze a lemezalátéteket a konzol alá, majd szorítsa meg az akasztókat a csavarokkal a helyükre rögzítve.

► **Ábra9:** 1. Gumidugó 2. Tartókonzól 3. Lemezalátétek 4. Akasztó 5. Csavarok

Használatához emelje fel az akasztót karját addig, amíg be nem pattan a nyitott állásba.

Amikor nem használja, ügyeljen rá, hogy az akasztót a zárt állásába visszahajtsa.

► **Ábra10:** 1. Övtartó 2. Nyitott állás 3. Zárt állás

► **Ábra11**

A rögzítőkötél (heveder) csatlakoztatása az akasztóhoz

⚠VIGYÁZAT: Ne használjon sérült akasztót és csavarokat. Használat előtt mindig ellenőrizze, nincsenek-e sérülések, repedések vagy deformálódások, és győződjön meg róla, hogy a csavarokat meghúzták.

⚠VIGYÁZAT: Ügyeljen arra, hogy az akasztó biztonságosan legyen rögzítve a csavarokkal.

⚠VIGYÁZAT: Ne szereljen fel vagy távolítsa el kiegészítőket, amíg a szerszám fel van akasztva. A szerszám leeshet, ha a csavarok nincsenek szorosan meghúzva.

⚠VIGYÁZAT: Mindig használjon reteszelő karabinert (többfunkciós és csavaros típusú), és győződjön meg róla, hogy a rögzítőkötél (heveder) az akasztó duplán hurkolt részéhez csatlakoztatja. A nem megfelelő csatlakozás azt okozhatja, hogy a szerszám leesik az akasztóról, és ennek személyi sérülés lehet az eredménye.

Az akasztó a rögzítőkötél (heveder) csatlakoztatására is szolgál. Ügyeljen arra, hogy a rögzítőkötél (heveder) az akasztó duplán hurkolt részéhez legyen csatlakoztatva.

► **Ábra12:** 1. Az akasztó duplán hurkolt része 2. Rögzítőkötél (heveder) 3. Reteszelő karabiner (többfunkciós és csavaros típusú)

Biztonsági figyelmeztetés a rögzítőkötél (heveder) csatlakoztatásához az akasztóhoz

▲Biztonsági figyelmeztetések speciálisan a magasban történő használatához
Olvassa el az összes biztonsági figyelmeztetést és utasítást. Ha nem tartja be a figyelmeztetéseket és utasításokat, az súlyos sérülést okozhat.

- Mindig tartsa kikötve a szerszámot, ha „magasban” dolgozik. A rögzítőkötél maximális hossza 2 m.**
A rögzítőkötél (heveder) maximális megengedett esési hossza nem haladhatja meg a 2 m-t.
- Csak az ennek a szerszám típusnak megfelelő és legalább 8,0 kg-ra méretezett rögzítőkötélekkel használja.**
- Ne rögzítse a szerszám rögzítőkötélét semmilyen a testén található tárgyhoz, sem mozgó elemekhez. Rögzítse a szerszám rögzítőkötélét merev szerkezethez, amely ellen tud állni a leeső szerszám keltette erőknél.**
- Használat előtt győződjön meg róla, hogy a rögzítőkötél mindkét végén megfelelően van rögzítve.**
- Minden használat előtt vizsgálja meg a szerszámot és a rögzítőkötélet (az anyagot és a varratokat is), nem sérült-e, és megfelelően működik-e. Ne használja, ha sérült vagy nem működik megfelelően.**
- Ne tekerje a rögzítőkötéleket semmi köré, és ne engedje, hogy éles vagy durva éllel érintkezzenek.**
- Rögzítse a rögzítőkötél másik végét a munkaterületen kívülre, hogy a leeső szerszámot biztosan megtartsa.**
- Úgy rögzítse a rögzítőkötélet, hogy ha leesik a szerszám, távolodjon a kezelőtől. A leejtett szerszámok a rögzítőkötélen fognak lengeni, ez sérülést vagy egyensúlyvesztést okozhat.**
- Ne használja mozgó alkatrészek vagy működő gépezetek közelében. Ha ezt elmulasztja, fennáll az összetörés vagy rátekeredés veszélye.**
- Ne hordja a szerszámot a tartozékánál vagy a rögzítőkötélénél fogva.**
- Csak akkor tegye át a szerszámot egyik kezéből a másikba, ha megfelelő egyensúlyt tud tartani.**
- Ne csatlakoztassa a rögzítőkötéleket a szerszámhoz oly módon, hogy akadályozza a kapcsolót vagy kapcsolózárat (ha mellékelve vannak) megfelelő működéséért.**
- Vigyázzon, ne gabalyodjon bele a rögzítőkötélbe.**
- Tartsa a rögzítőkötélet távol a szerszám fúrási területétől.**
- Használjon reteszelő karabinert (többfunkciós és csavaros típusút). Ne használjon egyszerű rugós billentyűs karabinereket.**
- Abban az esetben, ha a szerszámot leejtít, meg kell jelölni, ki kell vonni a használatból, és meg kell vizsgáltatni egy Makita gyárban vagy hivatalos szervizközpontban.**

Nyomatékhatalról

MEGJEGYZÉS: Amint a nyomatékhatalról bekapcsol, azonnal kapcsolja ki a szerszámot. Ez segít a szerszám idő előtti elhasználódásának megelőzésében.

MEGJEGYZÉS: Az olyan fúróhegyek, mint például a lyukfűrés, amely hajlamos megszorulni, nem használhatók ehhez a szerszámmal. Ennek oka az, hogy az ilyen szárak a nyomatékhatalról túl gyakran hozzák működésbe.

A nyomatékhatalról akkor lép működésbe, amikor a szerszám elér egy bizonyos nyomatékszintet. A motor lekapcsolódik a kimenőtengelyről. Ha ez megtörténik, a fúróhegy forgása megáll.

Elektronikus funkció

A szerszámot a könnyebb használat érdekében elektronikus funkciókkal szerelték fel.

- Elektromos fék**
A szerszám elektromos fékkel rendelkezik. Ha a szerszámnak rendszeresen nem sikerül gyorsan leállnia a kapcsológomb felengedése után, szervizeltesse a szerszámot a Makita szervizközpontban.
- Állandó fordulatszám-szabályozás**
A fordulatszám-szabályozó funkció a terhelési körülményektől függetlenül állandó fordulatszámot biztosít.
- Aktív visszajelzés érzékelő technológia**
Ha az eszköz működés közben az előre meghatározott gyorsulással lendítik, a motor leállásra kényszerül, hogy csökkenjen a csukló terhelése.

MEGJEGYZÉS: Ez a funkció nem működik, ha a gyorsulás nem éri el az előre meghatározottat az eszköz lendítésekor.

MEGJEGYZÉS: Ha a darabot az előre meghatározott gyorsulással lendítik a forgácsolás, vésés vagy bontás során, az a motort leállásra kényszeríti. Ebben az esetben eressze ki a kapcsológombot, majd húzza meg a kapcsológombot az eszköz újraindításához.

ÖSSZESZERELÉS

▲VIGYÁZAT: Minden esetben ellenőrizze, hogy a szerszám ki van kapcsolva és az akkumulátort levette, mielőtt bármilyen műveletet végez a szerszámmal.

Oldalmarkolat (kisegítő fogantyú)

▲VIGYÁZAT: Mindig használja az oldalmarkolatot a biztonságos használat érdekében.

▲VIGYÁZAT: Az oldalmarkolat felszerelése vagy beállítása után győződjön meg arról, hogy az oldalmarkolat szilárdan van rögzítve a rögzítőnyúlványjaival teljesen illeszkedve a hajtóműház pozicionáló süllyesztéséhez.

Az oldalmarkolat felszereléséhez kövesse az alábbi lépéseket.

1. Lazítsa meg a marokcsavart az oldalmarkolat-
ton. Majd szerelje az oldalmarkolatot a hajtóműház
töltőnyakára.
- **Ábra13:** 1. Oldalmarkolat 2. Marokcsavar 3. A
hajtóműház töltőnyaka 4. Rögzítőnyúlvány
5. Pozicionáló süllyesztés

A tartógyűrű a marokcsavar lenyomásával megnövel-
hető, így a gyűrű könnyen és biztonságosan rögzíthető
a hajtóműház töltőnyakán.

- **Ábra14:** 1. Marokcsavar 2. Tartógyűrű

2. Húzza meg a marokcsavart a markolat kívánt
szögben történő rögzítéséhez.

Kenőzsír

Opcionális kiegészítők

Használat előtt kenjen kis mennyiségű zsírt a fúróhegy
tokmány felőli végére (kb. 0,5–1 g-ot).

A tokmány ilyen kenése akadálymentes működést és
hosszabb élettartamot biztosít.

A fúróhegy behelyezése és eltávolítása

Behelyezés előtt tisztítsa meg a fúróhegy tokmány felőli
oldalát, majd vigyen fel rá zsírt.

- **Ábra15:** 1. Tokmány felőli oldal 2. Kenőzsír

Helyezze a fúróhegy tokmány felőli oldalát a tok-
mányba, és illessze beljebb a tokmányban kézzel for-
gatva a fúróhegyet úgy, hogy a tokmány felőli oldala jól
illeszkedjen a tokmányfoglatba.

A fúróhegy beszerelése után próbálja meg visszahúzni,
hogy meggyőződhessen róla, hogy biztosan rögzült a
helyén.

- **Ábra16:** 1. Fúróhegy 2. Tokmány

A fúróhegy eltávolításához nyomja le teljesen a tok-
mány fedelét, és húzza ki a fúróhegyet.

- **Ábra17:** 1. Fúróhegy 2. Tokmányfedél

A véső szöge (véséshez, kaparáshoz vagy bontáshoz)

A véső a kívánt szögben rögzíthető. Állítsa a működési
mód váltó gombot az O jelölésre, majd forgassa a vésőt
a kívánt szögbe.

- **Ábra18:** 1. Működési mód váltó gomb 2. O jelölés

Állítsa a működési mód váltó gombot a ∇ jelölésre.
Próbálja kézzel elforgatni a vésőt, hogy meggyőződhess-
sen róla, hogy biztosan rögzült a helyén.

Mélységmérce

A mélységmérőt pálcá segítségével egyforma mélységű
furatok készíthetők.

Nyomja be és tartsa lenyomva a reteszelőgombot, majd
illesse a mélységmérőt pálcát a hatszögletű furatba.
Győződjön meg róla, hogy a mélységmérő pálcá foga-
zott oldala a fogazott jelölés felé fordul a hatszögletű
furaton.

- **Ábra19:** 1. Mélységmérő 2. Reteszelőgomb
3. Hatszögletű furat 4. Fogazott oldal
5. Fogazott jelölés

Állítsa be a mélységmérőt úgy, hogy előre és hátrafelé
mozgatja azt, miközben megnyomja a reteszelőgombot.
A beállítás után engedje fel a reteszelőgombot hogy a
mélységmérőt rögzítse.

MEGJEGYZÉS: A mélységmérő rögzítésekor győ-
ződjön meg róla, hogy a mélységmérő nem ér hozzá
a géptesthez.

Porgyűjtő rendszer

Opcionális kiegészítők

Telepítés

1. Csúsztassa ki a légcsatornadugót a motorházból,
miközben a reteszelőfület a nyitott helyzetbe emeli.

- **Ábra20:** 1. Légcsatornadugó 2. Reteszelőfü

2. Szerelje a szerszámot a porgyűjtő rendszerre
a hajtóműház alsó felületén található vezetővájatok
rácsúsztatásával a porgyűjtő rendszer felső felületén
található vezetősínre, amíg egy kattánással a helyére
nem rögzül.

- **Ábra21:** 1. Vezetővájatok 2. Vezetősínek
3. Porgyűjtő rendszer

Eltávolítás

1. Szerelje le a szerszámot a porgyűjtő rendszer-
ről úgy, hogy lecsúsztatja a szerszámot, miközben
lenyomja a reteszelőgombot a porgyűjtő rendszeren.

- **Ábra22:** 1. Porgyűjtő rendszer 2. Reteszelőgomb

2. Csúsztassa vissza a légcsatornadugót a hajtómű-
ház vezetővájatainak, amíg egy kattánással a helyére
nem rögzül.

- **Ábra23:** 1. Légcsatornadugó 2. Vezetővájatok

MEGJEGYZÉS: Ügyeljen rá, hogy a légcator-
nadugót visszahelyezze a légcatornára, miután
leszerelte a porgyűjtő rendszert a szerszámról. A
szerszám teljesítményét befolyásolhatja, ha a légcsa-
tornadugó nélkül működteti.

A porgyűjtő rendszer fúvókája helyzetének beállítása

Csúsztassa be és ki a fúvókavezetőt a vezetőbeállító
gomb lenyomása mellett, és pontosan abban a helyzet-
ben engedje fel a gombot, ahol a fúrófej a fúvóka elülső
felülete mögött ül.

- **Ábra24:** 1. Vezető 2. Vezetőbeállító gomb
3. Fúrófej 4. Fúvóka elülső felülete

MEGJEGYZÉS: A fúvóka helyzetének beállítása
előtt, nyomja meg a vezetőbeállító gombot a fúvóka-
vezetőn ébredő feszültség levezetéséhez és szabá-
dítsa fel a teljesen kihűzött helyzetében.

A fúrási mélység beállítása

A fúrási mélységet a mélységbeállító gomb és a fúvóka-
vezető hátsó vége közötti hosszúságok változtatásával
lehet állítani. Tartsa lenyomva a mélységbeállító gom-
bot és csúsztassa a kívánt helyzetbe.

- **Ábra25:** 1. Mélységbeállító gomb 2. Fúvókavezető
3. Fúrási mélységek

Tárolás

MEGJEGYZÉS: Ha egy bizonyos ideig nem használják, a fűvókavezetőt ki kell húzni megközelítőleg 100 mm-re legrövidebb helyzetéhez viszonyítva. Ennek elmulasztása miatt károsodhat a légcsatornacsó, amit előre telepítettek a fűvókavezetőbe.

► **Ábra26:** 1. Vezetőbeállító gomb 2. Megközelítőleg 100 mm

Porfogó

Opcionális kiegészítők

Használja a porfogót annak megelőzésére, hogy a por a fűróra vagy Önre hulljon, amikor a feje fölött végez munkát. Csatlakoztassa a porfogót a hegyhez az ábrán látható módon. A szerszámok mérete, amelyekhez a porfogó csatlakoztatható, a következő.

Típus	Betét átmérője
Porfogó 5	6 mm – 14,5 mm
Porfogó 9	12 mm – 16 mm

► **Ábra27:** 1. Porfogó

Porfogókészlet

Opcionális kiegészítők

⚠ VIGYÁZAT: A porfogókészlet fel- vagy leszerelése előtt távolítsa el a fejet a szerszámból.

Telepítés

A porfogókészletet a hajtóműház töltőnyakára úgy szerelje fel, hogy a porfogón található Δ jelölés egy vonalban legyen a töltőn található egyik vájattal. Majd fogja meg a porfogókészlet rögzítőegységét és nyomja le a töltőbe, hogy a helyére rögzüljön.

► **Ábra28:** 1. Porfogókészlet 2. Rögzítőegység
3. Δ jelölés 4. Vájat

MEGJEGYZÉS: Ha porszívót szeretne csatlakoztatni a porfogókészlethez, csatlakoztatás előtt távolítsa el a porfogót.

► **Ábra29:** 1. Porfogó sapka

Eltávolítás

Nyomja le teljesen a tokmány fedelét, és húzza ki a betétet.

► **Ábra30:** 1. Betét 2. Tokmányfedél

Fogja a porfogókészlet rögzítőegységét és húzza szét a szerszámról.

► **Ábra31:** 1. Rögzítőegység

MEGJEGYZÉS: Ha a sapka lejön a porfogókészletről, helyezze vissza az eredeti helyzetébe.

1. Válassza le a fémtömlőket a porfogókészlet rögzítőegységéről.

► **Ábra32:** 1. Fémtömlők 2. Rögzítőegység

2. Helyezze vissza a sapkát az eredeti helyére a nyomtatott oldalával felfelé.

► **Ábra33:** 1. Sapka 2. Nyomtatott oldal 3. Vájatok
4. A felső nyílás rögzítőnyelvei
5. Rögzítőegység

3. Győződjön meg róla, hogy a sapka körüli vájatok jól illeszkednek a rögzítőegység felső nyílásának rögzítőnyelveibe.

► **Ábra34**

MŰKÖDTETÉS

⚠ VIGYÁZAT: Mindig használja az oldalmarkolatot (kisegítő markolat), és tartsa erősen a szerszámot mind az oldalmarkolattal, mind a kapcsolós fogantyúval a munka során.

⚠ VIGYÁZAT: A szerszám működtetése előtt mindig győződjön meg a munkaterület biztonságáról.

⚠ VIGYÁZAT: Akkor se próbálja erővel kifeszíteni a szerszámot ha a fűróhegy beszorul. Az irányítás elvesztése sérülést okozhat.

⚠ VIGYÁZAT: A porgyűjtő rendszert betonfúrás során történő használatra tervezték. Ne használja a porgyűjtő rendszert, amikor fémet vagy fát fúr.

⚠ VIGYÁZAT: Ha a szerszámot a porgyűjtő rendszerrel együtt használja, a por belégzésének elkerülése érdekében mindig csatlakoztassa a szűrőt a porgyűjtő rendszerhez.

⚠ VIGYÁZAT: A porgyűjtő rendszer használata előtt ellenőrizze, hogy a szűrő nem sérült-e meg. Ennek elmulasztása porbelégzést okozhat.

⚠ VIGYÁZAT: A porgyűjtő rendszer nagy sebességgel gyűjti a keletkezett port, de nem képes az összes port összegyűjteni.

MEGJEGYZÉS: Ha a szerszámot hosszú ideig folyamatosan kis fordulatszámon működteti, akkor a motor túlterhelődik, ami a szerszám hibás működését okozza.

MEGJEGYZÉS: Ne használja a porgyűjtő rendszert magfúráshoz vagy véséshez.


MEGJEGYZÉS: Ne használja a porgyűjtő rendszert nedves beton fúrásához, és ne használja a rendszert nedves környezetben. Ennek elmulasztása meghibásodást okozhat.

MEGJEGYZÉS: Ha az akkumulátor alacsony hőmérsékleten működik, előfordulhat, hogy a szerszám teljesítménye nem lesz megfelelő. Ebben az esetben úgy melegítheti fel az akkumulátort, hogy a szerszámot rövid ideig terhelés nélkül működteti, hogy megfelelő teljesítményt érjen el.

► **Ábra35**

Útvefűrés mód


⚠ VIGYÁZAT: Hatalmas és hirtelen érkező csavaróerő hat a szerszáma/fűrőhegyre a furat áttörésének pillanatában, amikor a furat eltömődik forgáccsal és szemcsékkel, vagy amikor eltalálja a betonba ágyazott merevítőrudakat. **Mindig használja az oldalmarkolatot (kisegítő markolat), és tartsa erősen a szerszámot mind az oldalmarkolattal, mind a kapcsolós fogantyúval a munka során.** Ennek elmulasztása a szerszám feletti uralom elvesztését, és komoly személyi sérüléseket okozhat.

Állítsa a működési mód váltó gombot a  jelöléshez. Állítsa a fűrőhegyet a furat tervezett helyére, és húzza meg a kapcsológombot. Ne erőltesse a szerszámot. Az enyhe nyomás adja a legjobb eredményt. Tartsa a szerszámot a helyén, és akadályozza meg, hogy elcsússzon a furattól.

Ne fejtse ki nagyobb nyomást, ha a furat eltömődik forgáccsal és más részecskékkel. Ehelyett működtesse a szerszámot terhelés nélkül, és húzza ki kissé a fűrőhegyet a furatból. Ezt többször megismételve kitisztítja a furatot, és folytathatja a fűrészt.

MEGJEGYZÉS: A fűrőhegy forgása szokatlan lehet, ha a szerszámot terhelés nélkül működteti. A szerszám automatikusan középpontozza magát működés közben. Ez nem befolyásolja a fűrés pontosságát.

Vésés/kaparás/bontás

Állítsa a működési mód váltó gombot a  jelöléshez. Szilárdan tartsa a szerszámot mindkét kezével. Kapcsolja be a szerszámot, és fejtse ki enyhe nyomást a szerszáma, hogy az ne pattoghasson szabadon. Erős nyomással nem növeli a szerszám hatásfokát.

▶ **Ábra36**

Fa vagy fém fűrésa

⚠ VIGYÁZAT: Erősen fogja a szerszámot, és legyen óvatos, amikor a fűrőhegy elkezd áttörni a munkadarabot. Hatalmas erő hat a szerszáma/fűrőhegyre a furat áttörésének pillanatában.

⚠ VIGYÁZAT: A beszorult fűrőhegyet egyszerűen el lehet távolítani a forgásirányváltó kapcsolókar ellentétes irányú forgásba kapcsolásával. Azonban a gép hirtelen visszafelé foroghat, ha nem tartja erősen.

⚠ VIGYÁZAT: A munkadarabokat mindig rögzítse satuban, vagy más hasonló befogó eszközzel.

MEGJEGYZÉS: Soha ne használja az „útvefűrés” funkciót úgy, hogy a fűrőtokmány rajta van a szerszámon. Ettől a fűrőtokmány sérülhet. Emellett a fűrőtokmány kijön a helyéről, ha visszafelé forgatja a szerszámot.

MEGJEGYZÉS: Ha túlságosan erősen nyomja a szerszámot, azzal nem gyorsítja meg a furat kifűrését. Valójában a fölöslegesen nagy nyomás csupán a fűrőhegy sérüléséhez, a szerszám teljesítményének csökkenéséhez vezet és lerövidíti a szerszám hasznos élettartamát.

Állítsa a működési mód váltó gombot a  jelöléshez.

A fűrőtokmánykészlet beszerelése


Opcionális kiegészítők

Csatlakoztassa a tokmányadapert egy olyan kulcs nélküli fűrőtokmányhoz, amelyre felszerelhető egy 1/2"-20-as méretű csavar, majd szerelje fel őket a szerszáma. Az adapter tokmányba történő beszerelésével kapcsolatos részleteket a fűrőhegy telepítésének utasításaiban találja.

- ▶ **Ábra37:** 1. Kulcs nélküli fűrőtokmány
2. Tokmányadapter

Fűrés gyémánt magfűrővel

MEGJEGYZÉS: Ha a gyémánt magfűrőt az „útvefűrés” módban használja, akkor a gyémánt magfűrő megrongálódhat.

Gyémánt magfűrő használatakor a működési mód váltó gombot mindig állítsa a  jelöléshez, hogy a „fűrés” módot használja.

A por leverése a szűrőről

Opcionális kiegészítők

⚠ VIGYÁZAT: Ne fordítsa el a porgyűjtőn lévő tárcsát, amíg a porgyűjtő ki van véve a porgyűjtő rendszerből. Ha így tesz, az porbelégzést okozhat.

⚠ VIGYÁZAT: Mindig kapcsolja ki a szerszámot, ha elfordítja a porgyűjtőn lévő tárcsát. A tárcsa elfordítása a szerszám működése közben azt eredményezheti, hogy elveszíti az uralmát a szerszám felett.

Ha leveri a port a porgyűjtő doboz belsejében lévő szűrőről, megőrizheti a szívás hatékonyságát, és csökkentheti a porúritések számát is.

Forgassa el a porgyűjtő dobozon lévő tárcsát háromszor minden 50 000 mm³ por összegyűjtése után, vagy amikor úgy érzi, hogy a szívási teljesítmény csökken.

MEGJEGYZÉS: 50 000 mm³ por megfelel 10 ø10 mm-es 65 mm mély lyuk fűrésának.

- ▶ **Ábra38:** 1. Porgyűjtő doboz 2. Tárcsa

A por kiürítése

Opcionális kiegészítők

⚠ VIGYÁZAT: Minden esetben ellenőrizze, hogy a szerszám ki van kapcsolva és az akkumulátor levette, mielőtt bármilyen műveletet végez a szerszámon.

⚠ VIGYÁZAT: A por kiürítése során mindig viseljen pormaszkot.

⚠ VIGYÁZAT: Rendszeresen ürítse ki a porgyűjtőt, mielőtt az teljesen megtelne. Ennek elmulasztása a porgyűjtési teljesítmény romlását és a por belégzését okozhatja.

⚠ VIGYÁZAT: Ha a porgyűjtőben található szűrő eltömődik, romlik a porgyűjtési teljesítmény. A porgyűjtő körülből 200 megtelése után cserélje ki a szűrőt. Ennek elmulasztása porbelégzést okozhat.

1. Nyomja le a porgyűjtő biztosítókarrját, majd távolítsa el a porgyűjtőt.

► **Ábra39:** 1. Biztosítókár

2. Emelje fel kissé kifelé a reteszelőfület és nyissa ki a porgyűjtő fedelét.

► **Ábra40:** 1. Porgyűjtő fedele 2. Reteszelőfület

3. Ūritse ki a port, majd tisztítsa ki a szűröt.

► **Ábra41**

MEGJEGYZÉS: A szűrő tisztításakor ütögesse meg finoman kézzel a szűrőházat, hogy eltávolítsa a port. Ne ütögesse közvetlenül a szűröt, ne érjen a szűrőhöz kéfével vagy hasonló eszközzel, és ne fűjjon sűrített levegőt a szűrre. Ha így tesz, az károsíthatja a szűröt.

Porkifűjő pumpa

Opcionális kiegészítők

A furat kifűrása után a furatból egy olvadóbiztosítékkal fűjja ki a port.

► **Ábra42**

A porfogókészlet használata

Opcionális kiegészítők

A szerszám használata közben illeszze a porfogókészletet a mennyezethez.

► **Ábra43**

MEGJEGYZÉS: Ne használja a porfogókészletet, amikor fémeket vagy hasonló anyagot fűr. Az apró fém- vagy egyéb részecskéket által termelt hő kárt tehet a porfogókészletben.

MEGJEGYZÉS: Ne szerelje fel és ne távolítsa el a porfogókészletet akkor, amikor a fűrőhegy fel van szerelve a szerszámmra. Ezzel kárt tehet a porfogókészletben, és porszivárgást okozhat.

VEZETÉK NÉLKÜLI AKTIVÁLÁS FUNKCIÓ

Mire használható a vezeték nélküli aktiválás funkció?

A vezeték nélküli aktiválás funkció tiszta és kényelmes munkavégzést tesz lehetővé. Ha egy támogatott porszívót csatlakoztat a szerszámgéphez, a porszívót automatikusan működtetheti a szerszámgép kapcsolójával.

► **Ábra44**

A vezeték nélküli aktiválás funkció használatához a következőkre van szüksége:

- A vezeték nélküli egység (opcionális tartozék)
- A vezeték nélküli aktiválás funkciót támogató porszívó

A vezeték nélküli aktiválás funkció beállításának áttekintését az alábbiakban találja. A részletes eljárásokkal kapcsolatos információkért tekintse meg az egyes szakaszokat.

1. A vezeték nélküli egység felszerelése
2. A szerszámgép regisztrációja a porszívóval
3. A vezeték nélküli aktiválás funkció elindítása

A vezeték nélküli egység felszerelése

Opcionális kiegészítők

⚠ VIGYÁZAT: Helyezze a szerszámgépet sík és stabil felületre a vezeték nélküli egység felszereléséhez.

MEGJEGYZÉS: A vezeték nélküli egység felszerelése előtt tisztítsa meg a szerszámgépet a portól és a szennyeződéstől. A por és a szennyeződés meghibásodást okozhat a vezeték nélküli egység nyílásába kerülve.

MEGJEGYZÉS: A statikus elektromosság által okozott meghibásodás elkerülése érdekében érintse meg a szerszámgép statikus kisütésre alkalmas anyagból, például fémből készült alkatrészét, mielőtt a vezeték nélküli egységhez érne.

MEGJEGYZÉS: A vezeték nélküli egység felszerelésekor ügyeljen rá, hogy a vezeték nélküli egységet a megfelelő irányban illeszse be, és a fedél teljesen zárva legyen.

1. Az ábrának megfelelően nyissa ki a szerszámgépben található fedelet.

► **Ábra45:** 1. Fedél

2. Illeszse be a vezeték nélküli egységet a nyílásba, és zárja be a fedelet.

A vezeték nélküli egység beillesztésekor igazítsa a nyílványokat a nyílás súllyesztett részeihez.

► **Ábra46:** 1. Vezeték nélküli egység 2. Nyílvány 3. Fedél 4. Súllyesztett rész

A vezeték nélküli egység eltávolításakor lassan nyissa ki a fedelet. Amikor felhúzza a fedelet, a fedél hátoldalán található horgok lassan kiemelik a vezeték nélküli egységet.

► **Ábra47:** 1. Vezeték nélküli egység 2. Horog 3. Fedél

A vezeték nélküli egységet az eltávolítását követően tartsa a vele szállított tokban vagy antistatikus tárolóban.

MEGJEGYZÉS: A vezeték nélküli egység eltávolításához mindig a fedél hátoldalán található horgokat használja. Ha a horgok nem akadnak bele a vezeték nélküli egységbe, ismét zárja vissza a fedelet, és nyissa ki ismét lassan.

A szerszámgép regisztrációja a porszívóval

MEGJEGYZÉS: A szerszámgép regisztrálásához a vezeték nélküli aktiválás funkciót támogató porszívóra van szükség.

MEGJEGYZÉS: A szerszámgép regisztrációjának megkezdése előtt szerelje be a vezeték nélküli egységet a szerszámgépbe.

MEGJEGYZÉS: A szerszámgép regisztrálása közben ne nyomja meg a kapcsológombot, és ne fordítsa el a tápkapcsolót a porszívón.

MEGJEGYZÉS: Tekintse át a porszívó használati útmutatóját is.

Ha a szerszámgép kapcsolójának működtetésével egyidejűleg kívánja aktiválni a porszívót, akkor először végezze el a szerszámgép regisztrációját.

1. Illessze be az akkumulátorokat a porszívóba és a szerszámgépbe.

2. Állítsa a porszívó készenléti kapcsolóját „AUTO” helyzetbe.

► **Ábra48:** 1. Készenléti kapcsoló

3. Nyomja le a porszívó vezeték nélküli aktiválás gombját 3 másodpercig, amíg a vezeték nélküli aktiválás lámpája zölden nem villog. Ezután nyomja le ugyanígy a szerszámgép vezeték nélküli aktiválás gombját.

► **Ábra49:** 1. Vezeték nélküli aktiválás gomb
2. Vezeték nélküli aktiválás lámpája

A porszívó és a szerszámgép sikeres összekapcsolása esetén a vezeték nélküli aktiválás lámpája 2 másodpercig zölden világít, majd kéken kezd villogni.

MEGJEGYZÉS: A vezeték nélküli aktiválás lámpája a zölden villogást 20 másodperc elteltével fejezi be. Addig nyomja meg a szerszámgép vezeték nélküli aktiválás gombját, amíg a porszívón villog a vezeték nélküli aktiválás lámpája. Ha a vezeték nélküli aktiválás lámpája nem villog zölden, akkor nyomja le röviden a vezeték nélküli aktiválás gombot, és tartsa ismét lenyomva.

MEGJEGYZÉS: Ha kettő vagy több szerszámgépet regisztrál egy porszívóhoz, akkor a szerszámgépek regisztrálását egymás után végezze el.

A vezeték nélküli aktiválás funkció elindítása

MEGJEGYZÉS: A vezeték nélküli aktiválás előtt végezze el a szerszámgép regisztrálását.

MEGJEGYZÉS: Tekintse át a porszívó használati útmutatóját is.

Miután regisztrált egy szerszámgépet a porszívóhoz, a porszívó automatikusan a szerszámgép kapcsolójának működtetésével egyszerre üzemel.

1. Szerelje fel a vezeték nélküli egységet a szerszámgépbe.

2. Csatlakoztassa a porszívó csövét a szerszámgéphez.

► **Ábra50**

3. Állítsa a porszívó készenléti kapcsolóját „AUTO” helyzetbe.

► **Ábra51:** 1. Készenléti kapcsoló

4. Nyomja meg röviden a szerszámgép vezeték nélküli aktiválás gombját. A vezeték nélküli aktiválás gomb kéken villog.

► **Ábra52:** 1. Vezeték nélküli aktiválás gomb
2. Vezeték nélküli aktiválás lámpája

5. Nyomja meg a szerszámgép kapcsológombját. Ellenőrizze, hogy működik-e a porszívó a kapcsológomb nyomva tartásakor.

A porszívó vezeték nélküli aktiválásának leállításához nyomja meg a szerszámgép vezeték nélküli aktiválás gombját.

MEGJEGYZÉS: Ha 2 órán keresztül nem működtetik, akkor a szerszámgép vezeték nélküli aktiválás lámpájának kék villogása leáll. Ebben az esetben állítsa az „AUTO” helyzetbe a porszívó készenléti kapcsolóját, és nyomja meg ismét a szerszámgépben a vezeték nélküli aktiválás gombját.

MEGJEGYZÉS: A porszívó késleltetéssel indul/áll le. A porszívó időben eltolva érzékeli a szerszámgép kapcsológombos működtetését.

MEGJEGYZÉS: A vezeték nélküli egység átviteli távolsága a helyszíntől és a környezeti feltételektől függően eltérhet.

MEGJEGYZÉS: Ha egy porszívóhoz két vagy több szerszámgép van regisztrálva, akkor a porszívó a kapcsológomb megnyomása nélkül is működhet, mert egy másik felhasználó is használja a vezeték nélküli aktiválás funkciót.

A vezeték nélküli aktiválás lámpa állapotának leírása

► Ábra53: 1. Vezeték nélküli aktiválás lámpája

A vezeték nélküli aktiválás lámpa a vezeték nélküli aktiválás funkció állapotáról tájékoztat. A lámpa állapotának jelentésével kapcsolatban az alábbi táblázatban talál információkat.

Állapot	Vezeték nélküli aktiválás lámpája				Leírás
	Szín	Be	Villogó lámpa	Időtartam	
Készenlét	Kék	<input checked="" type="checkbox"/>	<input checked="" type="checkbox"/>	2 óra	A porszívó vezeték nélküli aktiválás funkciója rendelkezésre áll. A lámpa automatikusan kikapcsol, ha a szerszámgépet 2 órán át nem működtetik.
		<input type="checkbox"/>	<input type="checkbox"/>	Amikor a szerszámgép működik.	A porszívó vezeték nélküli aktiválás funkciója rendelkezésre áll, és a szerszámgép üzemel.
Szerszámgép regisztrálása	Zöld	<input checked="" type="checkbox"/>	<input checked="" type="checkbox"/>	20 másodperc	A szerszámgép készen áll a regisztrálására. Várakozás a porszívón történő regisztrálásra.
		<input type="checkbox"/>	<input type="checkbox"/>	2 másodperc	A szerszámgép regisztrálása befejeződött. A vezeték nélküli aktiválás lámpája kéken kezd villogni.
A szerszámgép regisztrálásának visszavonása	Piros	<input checked="" type="checkbox"/>	<input checked="" type="checkbox"/>	20 másodperc	Készen áll a szerszámgép regisztrációjára. Várakozás a porszívón történő regisztrálás visszavonására.
		<input type="checkbox"/>	<input type="checkbox"/>	2 másodperc	A szerszámgép regisztrációjának visszavonása befejeződött. A vezeték nélküli aktiválás lámpája kéken kezd villogni.
Egyebek	Piros	<input type="checkbox"/>	<input type="checkbox"/>	3 másodperc	A vezeték nélküli egység tápellátást kap, és a vezeték nélküli aktiválás funkció elindul.
	Ki	-	-	-	A porszívó vezeték nélküli aktiválása leállt.

A szerszámgép porszívón történő regisztrációjának visszavonása

A szerszámgép porszívón történő regisztrálásakor tegye a következőket.

1. Illessze be az akkumulátorokat a porszívóba és a szerszámgépbe.
2. Állítsa a porszívó készenléti kapcsolóját „AUTO” helyzetbe.

► Ábra54: 1. Készenléti kapcsoló

3. Nyomja le 6 másodpercre a porszívó vezeték nélküli aktiválás gombját. A vezeték nélküli aktiválás gombja zölden villog, majd pirosra vált. Ezután nyomja le ugyanígy a szerszámgép vezeték nélküli aktiválás gombját.

► Ábra55: 1. Vezeték nélküli aktiválás gomb 2. Vezeték nélküli aktiválás lámpája

Ha a visszavonás sikeres volt, a vezeték nélküli aktiválás lámpája 2 másodpercig pirosan világít, majd kéken kezd villogni.

MEGJEGYZÉS: A vezeték nélküli aktiválás lámpája a pirosan villogást 20 másodperc elteltével fejezi be. Addig nyomja meg a szerszámgép vezeték nélküli aktiválás gombját, amíg a porszívón villog a vezeték nélküli aktiválás lámpája. Ha a vezeték nélküli aktiválás lámpája nem villog pirosan, akkor nyomja le röviden a vezeték nélküli aktiválás gombot, és tartsa ismét lenyomva.

A vezeték nélküli aktiválás funkció hibaelhárítása

Mielőtt a szervizhez fordulna, először végezzen saját maga is átvizsgálást. Ha olyan problémát talál, amire a kézikönyv nem tartalmaz magyarázatot, ne próbálja meg szétszedni az eszközt. Ehelyett kérjen tanácsot a Makita hivatalos szervizközpontjától, és javításhoz mindig Makita cserealkatrészeket használjon.

Rendellenesség	Lehetséges ok (meghibásodás)	Megoldás
A vezeték nélküli aktiválás lámpája nem világít/villog.	A vezeték nélküli egység nincs felszerelve a szerszámgépre. A vezeték nélküli egység nincs megfelelően felszerelve a szerszámgépre.	Szerelje fel helyesen a vezeték nélküli egységet.
	A vezeték nélküli egység és/vagy a nyílás érintkezője szennyezett.	Óvatosan törölje le a port és a szennyeződést a vezeték nélküli egység érintkezőjéről, és tisztítsa meg a nyílást.
	Nem lett lenyomva a szerszámgép vezeték nélküli aktiválás gombja.	Nyomja meg röviden a szerszámgép vezeték nélküli aktiválás gombját.
	A porszívó készenléti kapcsolója nincs „AUTO” helyzetbe állítva.	Állítsa a porszívó készenléti kapcsolóját „AUTO” helyzetbe.
	Nincs tápellátás	Biztosítsa a szerszámgép és a porszívó tápellátását.
Nem lehet sikeresen befejezni a szerszámgép regisztrációját/ szerszámgép regisztrációjának visszavonását.	A vezeték nélküli egység nincs felszerelve a szerszámgépre. A vezeték nélküli egység nincs megfelelően felszerelve a szerszámgépre.	Szerelje fel helyesen a vezeték nélküli egységet.
	A vezeték nélküli egység és/vagy a nyílás érintkezője szennyezett.	Óvatosan törölje le a port és a szennyeződést a vezeték nélküli egység érintkezőjéről, és tisztítsa meg a nyílást.
	A porszívó készenléti kapcsolója nincs „AUTO” helyzetbe állítva.	Állítsa a porszívó készenléti kapcsolóját „AUTO” helyzetbe.
	Nincs tápellátás	Biztosítsa a szerszámgép és a porszívó tápellátását.
	Nem megfelelő működés	Nyomja meg röviden a vezeték nélküli aktiválás gombját, és hajtsa végre ismét a szerszámgép regisztrációját/szerszámgép regisztrációjának visszavonását.
	A szerszámgép és a porszívó túl messze vannak egymástól (az átviteli hatótávolságon túl).	Vigye közelebb egymáshoz a porszívót és a szerszámgépet. A maximális átviteli távolság kb. 10 méter, azonban ez a feltételektől függően eltérő lehet.
	Mielőtt befejezte a szerszámgép regisztrációját/szerszámgép regisztrációjának visszavonását; - megnyomták a szerszámgép kapcsológombját, vagy; - elfordították a porszívó bekapcsológombját.	Nyomja meg röviden a vezeték nélküli aktiválás gombját, és hajtsa végre ismét a szerszámgép regisztrációját/szerszámgép regisztrációjának visszavonását.
	A szerszámgép vagy a porszívó szerszámgép-regisztrálási eljárása még nem fejeződött be.	Hajtsa végre egyszerre a szerszámgép és a porszívó szerszámgép-regisztrálási eljárását.
Nagy intenzitású rádióhullámokat generáló egyéb berendezések által okozott rádiójel-zavarás.	Tartsa távol a szerszámgépet és a porszívót a Wi-Fi-eszközöktől, mikrohullámú sütőktől és hasonlóktól.	

Rendellenesség	Lehetséges ok (meghibásodás)	Megoldás
A porszívó nem a szerszámgép működtetésével összehangolva üzemel.	A vezeték nélküli egység nincs felszerelve a szerszámgépre. A vezeték nélküli egység nincs megfelelően felszerelve a szerszámgépre.	Szerelje fel helyesen a vezeték nélküli egységet.
	A vezeték nélküli egység és/vagy a nyílás érintkezője szennyezett.	Óvatosan törölje le a port és a szennyeződést a vezeték nélküli egység érintkezőjéről, és tisztítsa meg a nyílást.
	Nem lett lenyomva a szerszámgép vezeték nélküli aktiválás gombja.	Nyomja le röviden a vezeték nélküli aktiválás gombját, és győződjön meg róla, hogy a vezeték nélküli aktiválás lámpája kéken villog.
	A porszívó készenléti kapcsolója nincs „AUTO” helyzetbe állítva.	Állítsa a porszívó készenléti kapcsolóját „AUTO” helyzetbe.
	Több mint 10 szerszámgép van a porszívón regisztrálva.	Hajtsa végre ismét a szerszámgép regisztrációját. Ha több mint 10 szerszámgép van regisztrálva a porszívóhoz, akkor az először regisztrált szerszámgép automatikusan törlődni fog.
	A porszívó minden szerszámgép-regisztrációt törölt.	Hajtsa végre ismét a szerszámgép regisztrációját.
	Nincs tápellátás	Biztosítsa a szerszámgép és a porszívó tápellátását.
	A szerszámgép és a porszívó túl messze vannak egymástól (az átviteli hatótávolságon túl).	Vigye közelebb egymáshoz a porszívót és a szerszámgépet. A maximális átviteli távolság kb. 10 méter, azonban ez a feltételektől függően eltérő lehet.
A porszívó minden szerszámgép-regisztrációt törölt.	Nagy intenzitású rádióhullámokat generáló egyéb berendezések által okozott rádiójel-zavarás.	Tartsa távol a szerszámgépet és a porszívót a Wi-Fi-eszközöktől, mikrohullámú sütőktől és hasonlóktól.
A porszívó a szerszámgép kapcsológombjának lenyomása nélkül is működik.	Más felhasználók használják a porszívó vezeték nélküli aktiválás funkcióját a saját szerszámgépeikkel.	Kapcsolja ki a többi szerszámgép vezeték nélküli aktiválás gombját, vagy vonja vissza a többi szerszámgép regisztrációját.

KARBANTARTÁS

⚠ VIGYÁZAT: Minden esetben ellenőrizze, hogy a szerszám ki van kapcsolva és az akkumulátor eltávolításra került mielőtt átvizsgálja a szerszámot vagy annak karbantartását végzi.

MEGJEGYZÉS: Soha ne használjon gázolajat, benzint, hígítót, alkoholt vagy hasonló anyagokat. Ezek elszíneződést, alakvesztést vagy repedést okozhatnak.

A termék BIZTONSÁGÁNAK és MEGBÍZHATÓSÁGÁNAK fenntartása érdekében a javításokat és más karbantartásokat vagy beállításokat a Makita hivatalos vagy gyári szervizközpontjában kell elvégezni, mindig csak Makita cserealkatrészeket használva.

A porgyújtó szűrőjének cseréje

Opcionális kiegészítők

- Nyomja le a porgyújtó biztosítókárját, majd távolítsa el a porgyújtót.
▶ **Ábra56:** 1. Biztosítókár
- Emelje fel kissé kifelé a reteszelőfület és nyissa ki a porgyújtó fedelét.
▶ **Ábra57:** 1. Porgyújtó fedele 2. Reteszelőfület

- Helyezze a laposfejű csavarhúzókat a szűrőház és a porgyújtó fedele közé az ábrán látható módon. Nyomja befelé a szűrőház oldalait és emelje ki a szűrőházat a laposfejű csavarhúzó segítségével.

▶ **Ábra58:** 1. Laposfejű csavarhúzó 2. Szűrőház 3. Porgyújtó fedele

- Nyomja ki a szűrőt a szűrőházból az ábrán látható módon.
▶ **Ábra59:** 1. Szűrő 2. Szűrőház

- Cserélje újra a szűrőt a szűrőházban. Helyezze a szűrőházat vissza a porgyújtó dobozra a szűrőház vezetényűlványát és a porgyújtó doboz vájátát egymáshoz illesztve.

▶ **Ábra60:** 1. Vezetényűlvány 2. Vájt

- Zárja le a porgyújtó fedelét, majd tegye vissza a porgyújtót a porgyújtó rendszerbe.

A szigetelősapka cseréje

Opcionális kiegészítők

Cserélje a szigetelősapkat szabályos időközönként, mert az elhasználódott vagy sérült szigetelősapka befolyásolhatja a szívóteljesítményt.

- Helyezzen egy laposfejű csavarhúzókat a lapos fejfelületeivel függőlegesen a fúvókafeje oldalán elhelyezett kioldólyukak egyikébe. Döntse olyan szögben a lapos csavarhúzókat, hogy a szigetelősapka négyzetes akasztóját kinyomja és kiugrassa az öntött akasztótartóból. Majd fejtse le a szigetelősapka gumi széleit a fúvókafeje nyílásának pereméről.

▶ **Ábra61:** 1. Szigetelősapka 2. Négyzetes akasztó 3. Kioldólyuk 4. Fúvókafeje

2. Helyezze az új szigetelősapka egyik négyzetes akasztóját a fűvókafej öntött akasztótartójába úgy, hogy a szigetelősapka süllyesztett felülete előre nézzen.

► **Ábra62:** 1. Négyzetes akasztók 2. Akasztótartók
3. Szigetelősapka 4. Süllyesztett felület

3. Helyezze a másik akasztót a fűvókafej ellentétes oldalán lévő akasztótartóba, miközben a szigetelősapkát helyezze át úgy, hogy megfelelően illeszkedjen a fűvókafejhez.

► **Ábra63:** 1. Szigetelősapka 2. Négyzetes akasztó
3. Akasztótartó 4. Fűvókafej 5. Peremek

4. Finoman terítse el a szigetelősapka gumi széleit a fűvókafej nyílásának peremén lentről felfelé.

► **Ábra64:** 1. Gumi szélek 2. Szigetelősapka
3. Fűvókafej

OPCIONÁLIS KIEGÉSZÍTŐK

⚠ VIGYÁZAT: Ezen kiegészítőket és tartozékokat javasoljuk a kézikönyvben ismertetett Makita szerszámhoz. Bármilyen más kiegészítő vagy tartozék használata a személyi sérülés kockázatával jár. A kiegészítőt vagy tartozékot csak rendeltetésszerűen használja.

Ha bármilyen segítségre vagy további információkra van szüksége ezekkel a tartozékokkal kapcsolatban, keresse fel a helyi Makita Szervizközpontot.

- Karbidvégű fűróhegyek (SDS-Plus karbidvégű fűróhegyek)
- Magfúró
- Fűrórúd
- Gyémánt magfúró
- Bontóvéső
- Kaparóvéső
- Horonyvéső
- Fúrótokmánykészlet (tokmányadapter / fúrótokmány)
- Szerszámzsír
- Mélységmérő
- Olvadóbiztosíték
- Porfogó
- Porfogókészlet
- Akasztókészlet
- Porgyűjtő készlet
- Szűrőkészlet
- Csatlakozó
- Porgyűjtő rendszer
- Vezeték nélküli egység
- Védőszemüveg
- Eredeti Makita akkumulátor és töltő

MEGJEGYZÉS: A listán felsorolt néhány kiegészítő megtalálható az eszköz csomagolásában standard kiegészítőként. Ezek országonként eltérőek lehetnek.

TECHNICKÉ ŠPECIFIKÁCIE

Model:		HR007G
Výkony	Betón	28 mm
	Jadrová korunka	54 mm
	Diamantová jadrová korunka (suchý typ)	65 mm
	Oceľ	13 mm
	Drevo	32 mm
Otáčky naprázdno		0 – 980 min ⁻¹
Úderov za minútu		0 – 5 000 min ⁻¹
Menovité napätie		Jednosmerný prúd 36 V – 40 V max.
Celková dĺžka	model BL4025	458 mm
	model BL4040	473 mm
Čistá hmotnosť		3,8 – 4,8 kg

Voliteľné príslušenstvo

Model:		DX15
Výkon sania		290 l/min
Prevádzkový zdvih		Do 190 mm
Vhodný vrták		Do 260 mm
Čistá hmotnosť		1,3 kg

- Vzhľadom k neustálemu výskumu a vývoju podliehajú technické údaje uvedené v tomto dokumente zmenám bez upozornenia.
- Technické údaje sa môžu pre rôzne krajiny líšiť.
- Hmotnosť sa môže líšiť v závislosti od nadstavcov vrátane akumulátora. Najľahšia a najťažšia kombinácia v súlade s postupom EPTA 01/2014 je uvedená v tabuľke.

Použiteľné akumulátory a nabíjačky

Akumulátor	BL4020* / BL4025* / BL4040* / BL4050F * : Odporúčaný akumulátor
Nabíjačka	DC40RA / DC40RB / DC40RC

- Niektoré vyššie uvedené akumulátory a nabíjačky môžu byť nedostupné v závislosti od miesta vášho bydliska.

VAROVANIE: Používajte iba akumulátory a nabíjačky zo zoznamu uvedeného vyššie. Použitie akýchkoľvek iných akumulátorov a nabíjačiek môže spôsobiť zranenie a/alebo požiar.

Odporúčaný káblom pripájaný napájací zdroj

Prenosný napájací zdroj	PDC01 / PDC1200
-------------------------	-----------------

- Vyššie uvedené káblom pripájané napájacie zdroje nemusia byť dostupné v závislosti od miesta vášho bydliska.
- Pred použitím káblom pripájaného napájacieho zdroja si prečítajte pokyny a na nich uvedené označenia s upozornením.

Určené použitie

Toto náradie je určené na príklepové vrtanie a vrtanie do tehly, betónu a kameňa, ako aj na sekacie práce. Je vhodný aj na bezpríklepové vrtanie do dreva, kovu, keramiky a plastu.

Hluk

Typická hladina akustického tlaku záťaže A určená podľa štandardu EN60745-2-6:

Model HR007G

Úroveň akustického tlaku (L_{pA}): 94 dB (A)
 Úroveň akustického tlaku (L_{WA}): 105 dB (A)
 Odchýlka (K): 3 dB (A)

Model HR007G s DX15

Úroveň akustického tlaku (L_{pA}): 93 dB (A)
 Úroveň akustického tlaku (L_{WA}): 104 dB (A)
 Odchýlka (K): 3 dB (A)

POZNÁMKA: Deklarovaná hodnota emisií hluku bola meraná podľa štandardnej skúšobnej metódy a môže sa použiť na porovnanie jedného nástroja s druhým.

POZNÁMKA: Deklarovaná hodnota emisií hluku sa môže použiť aj na predbežné posúdenie vystavenia ich účinkom.

VAROVANIE: Používajte ochranu sluchu.

VAROVANIE: Emisie hluku sa môžu počas skutočného používania elektrického nástroja odlišovať od deklarovanej hodnoty, a to v závislosti od spôsobu používania náradia a najmä typu spracúvaného obrobku.

VAROVANIE: Nezabudnite označiť bezpečnostné opatrenia s cieľom chrániť obsluhu, a to tie, ktoré sa zakladajú na odhade vystavenia účinkom v rámci reálnych podmienok používania (berúc do úvahy všetky súčasti prevádzkového cyklu, ako sú doby, kedy je nástroj vypnutý a kedy beží bez zaťaženia, ako dodatok k dobe zapnutia).

Vibrácie

V nasledujúcej tabuľke je uvedená celková hodnota vibrácií (trojosový vektorový súčet) určená podľa príslušnej normy.

Pracovný režim	Emisie vibrácií	Odhýlka (K)	Platná norma
Kladivové vrtanie do betónu ($a_{h, HD}$)	7,5 m/s ²	1,5 m/s ²	EN60745-2-6
Kladivové vrtanie do betónu s DX15 ($a_{h, HD}$)	8,1 m/s ²	1,5 m/s ²	EN60745-2-6
Funkcia sekania s bočnou rukoväťou ($a_{h, Cheq}$)	8,6 m/s ²	1,5 m/s ²	EN60745-2-6
Vrtanie do betónu ($a_{h, D}$)	2,8 m/s ²	1,5 m/s ²	EN60745-2-1

POZNÁMKA: Deklarovaná celková hodnota vibrácií bola meraná podľa štandardnej skúšobnej metódy a môže sa použiť na porovnanie jedného nástroja s druhým.

POZNÁMKA: Deklarovaná celková hodnota vibrácií sa môže použiť aj na predbežné posúdenie vystavenia ich účinkom.

VAROVANIE: Emisie vibrácií sa môžu počas skutočného používania elektrického nástroja odlišovať od deklarovanej hodnoty, a to v závislosti od spôsobu používania náradia a najmä typu spracúvaného obrobku.

VAROVANIE: Nezabudnite označiť bezpečnostné opatrenia s cieľom chrániť obsluhu, a to tie, ktoré sa zakladajú na odhade vystavenia účinkom v rámci reálnych podmienok používania (berúc do úvahy všetky súčasti prevádzkového cyklu, ako sú doby, kedy je nástroj vypnutý a kedy beží bez zaťaženia, ako dodatok k dobe zapnutia).

Vyhľadanie o zhode ES

Len pre krajinu Európy

Vyhľadanie o zhode ES sa nachádza v prílohe A tohto návodu na obsluhu.

BEZPEČNOSTNÉ VAROVANIA

Všeobecné bezpečnostné predpisy pre elektrické nástroje

VAROVANIE: Preštudujte si všetky bezpečnostné varovania, pokyny, vyobrazenia a technické špecifikácie určené pre tento elektrický nástroj. Pri nedodržaní všetkých nižšie uvedených pokynov môže dôjsť k úrazu elektrickým prúdom, požiaru alebo vážnemu zraneniu.

Všetky výstrahy a pokyny si odložte pre prípad potreby v budúcnosti.

Pojem „elektrický nástroj“ sa vo výstrahách vzťahuje na elektricky napájané elektrické nástroje (s káblom) alebo batériou napájané elektrické nástroje (bez kábla).

BEZPEČNOSTNÉ VAROVANIA PRE AKUMULÁTOROVÉ VRTACIE KLADIVO

- Používajte chrániče sluchu.** Vystavenie účinkom hluku môže mať za následok stratu sluchu.
- Pokiaľ sa s náradím dodávajú prídavné rukoväte používajte ich.** Strata ovládania môže mať za následok poranenie.
- Pri rezaní držte elektrické náradie pri práci držte len za izolované úchopné povrchy, pretože rezné príslušenstvo sa môže dostať do kontaktu so skrytými vodičmi.** Rezné príslušenstvo, ktoré sa dostane do kontaktu s vodičom pod napätím, môže spôsobiť prechod elektrického prúdu kovovými časťami elektrického nástroja a spôsobiť tak obsluhu zasiahnutie elektrickým prúdom.
- Používajte pevnú pokrývku hlavy (ochrannú prilbu), ochranné okuliare a/alebo ochranný štít na tvár.** Obyčajné dioptrické alebo slnečné okuliare NIE sú ochranné okuliare. Rovnako sa dôrazne odporúča používať protiprachovú masku a hrubé vystlané rukavice.
- Pred prácou overte, či je vrták zaistený na mieste.**
- Pri bežnej prevádzke nástroja dochádza k vibráciám.** Lahko môže dôjsť k uvoľneniu skrutiek a následnej poruche alebo nehode. Pred prácou dôkladne skontrolujte dotiahnutie skrutiek.
- V chladnom počasí alebo keď sa náradie dlhšiu dobu nepoužívalo, nechajte náradie chvíľu zahriať pri prevádzke bez zaťaženia.** Tým sa uvoľní mazivo. Bez správneho predhriatia bude práca s príklepom prebiehať ťažko.
- Vždy dbajte na pevný postoj.** Ak pracujete vo výškach, dbajte, aby pod vami nikto nebol.
- Držte náradie pevne oboma rukami.**
- Ruky držte mimo dosahu pohyblivých častí.**
- Nenechávajte nástroj v prevádzke bez dozoru.** Pracujte s ním, len keď ho držíte v rukách.
- Počas práce nemierte náradím na žiadnu osobu v blízkosti.** Vrták by sa mohol uvoľniť a niekoho vážne poraniť.
- Nedotýkajte sa vrtáka, častí v blízkosti vrtáka alebo obrobku bezprostredne po práci.** Môžu byť extrémne horúce a popáliť vás.

14. Niektoré materiály obsahujú chemikálie, ktoré môžu byť jedovaté. Dávajte pozor, aby ste ich nevdychovali ani sa ich nedotýkali. Prečítajte si bezpečnostné informácie dodávateľa materiálu.
15. Pred odovzdaním nástroja inej osobe sa vždy uistite, že nástroj je vypnutý a akumulátor a vrták je vybratý.
16. Pred začatím práce sa uistite, že sa v pracovnej oblasti nenachádza žiadny zakopaný objekt ako elektrické káble, vodovodné alebo plynové potrubie. V opačnom prípade sa ich môže vrták/dláto dotknúť a spôsobiť zásah elektrickým prúdom, prerušenie vedenia elektrickej energie alebo únik plynu.
17. Nepoužívajte nástroj zbytočne bez záťaž.

TIETO POKYNY USCHOVAJTE.

VAROVANIE: NIKDY nepripustíte, aby sebavedomie a dobrá znalosť výrobku (získané opakovaným používaním) nahradili presné dodržiavanie bezpečnostných pravidiel pre náradie. **NESPRAVNE POUŽÍVANIE** alebo nedodržiavanie bezpečnostných zásad uvedených v tomto návode môže viesť k vážnemu zraneniu.

Dôležité bezpečnostné a prevádzkové pokyny pre akumulátor

1. Pred použitím akumulátora si prečítajte všetky pokyny a výstažné označenia na (1) nabíjačke akumulátorov, (2) akumulátore a (3) produkte používajúcom akumulátor.
2. Akumulátor nerozoberajte ani neupravujte. Môže to viesť k požiaru, nadmernému teplu alebo výbuchu.
3. Ak sa doba prevádzky príliš skráti, ihneď prerušte prácu. Môže nastať riziko prehriatia, možných popálením či dokonca explózie.
4. V prípade zasiahnutia očí elektrolytom ich vypláchnite čistou vodou a okamžite vyhľadajte lekársku pomoc. Môže dôjsť k strate zraku.
5. Akumulátor neskratujte:
 - (1) Nedotýkajte sa konektorov žiadnym vodivým materiálom.
 - (2) Neskladujte akumulátor v obale s inými kovovými predmetmi, napríklad klincami, mincami a pod.
 - (3) Akumulátor nevystavujte vode ani dažďu. Skrat akumulátora môže spôsobiť veľký tok prúdu, prehriatie, možné popáleniny či dokonca poruchu.
6. Nástroj ani akumulátor neskladujte a nepoužívajte na miestach s teplotou presahujúcou 50 °C (122 °F).
7. Akumulátor nespaľujte, ani keď je vážne poškodený alebo úplne opotrebovaný. Akumulátor môže v ohni explodovať.
8. Akumulátor neprepichujte, neprerezávajte, nedrvte, nehádzte ani ho nenarúšajte údermi o tvrdé predmety. Môže to viesť k požiaru, nadmernému teplu alebo výbuchu.
9. Nepoužívajte poškodený akumulátor.

10. Litium-iónové akumulátory, ktoré sú súčasťou náradia, podliehajú požiadavkám legislatívy o nebezpečnom tovare. V prípade obchodnej prepravy, napr. dodanie tretími stranami či špeditériami, sa musia dodržiavať špeciálne požiadavky na zabalenie a označenie. Pred prípravou položky na odoslanie sa vyžaduje konzultácia s odborníkom na nebezpečný materiál. Taktiež treba dodržiavať potenciálne podrobnejšie predpisy príslušnej krajiny. Prelepte alebo zakryte otvorené kontakty a zabalte akumulátor tak, aby sa v balíku nemohol voľne pohybovať.
11. Akumulátor pri likvidácii odstráňte z nástroja a zlikvidujte ho na bezpečnom mieste. Akumulátor zlikvidujte v súlade s miestnymi nariadeniami.
12. Akumulátory používajte iba s výrobkami uvedenými spoločnosťou Makita. Inštalácia akumulátorov do nevyhovujúcich výrobkov môže spôsobiť požiar, nadmerné teplo, výbuch alebo únik elektrolytov.
13. Ak sa nástroj dlhší čas nepoužíva, odstráňte z neho akumulátor.
14. Akumulátor sa môže počas používania a po použití zohriať, čo môže spôsobiť popáleniny alebo popáleniny aj pri relatívne nízkej teplote. Pri manipulácii s horúcimi akumulátormi dávajte pozor.
15. Nedotýkajte sa svorky nástroja ihneď po použití, keďže sa mohla zohriať dostatočne na to, aby spôsobila popáleniny.
16. Zabráňte zachytávaniu triesok, prachu alebo zeme na svorkách, otvoroch a drážkach akumulátora. Môže to spôsobiť zohriatie, požiar, výbuch a poruchu nástroja alebo akumulátora, v dôsledku čoho môže dôjsť k popáleninám alebo zraneniu osôb.
17. Pokiaľ nástroj nepodporuje používanie v blízkosti vysokonapäťových elektrických vedení, nepoužívajte akumulátor blízko vysokonapäťových elektrických vedení. Môže to viesť k nesprávnemu fungovaniu alebo poškodeniu nástroja alebo akumulátora.
18. Akumulátor držte mimo dosahu detí.

TIETO POKYNY USCHOVAJTE.

POZOR: Používajte len originálne akumulátory od spoločnosti Makita. Používanie batérií, ktoré nie sú od spoločnosti Makita, alebo upravených batérií môže spôsobiť výbuch batérie a následný požiar, zranenie osôb alebo poškodeniu majetku. Následkom bude aj zrušenie záruky od spoločnosti Makita na nástroj a nabíjačku od spoločnosti Makita.

Rady na udržanie maximálnej životnosti akumulátora

1. Akumulátor nabíjajte ešte predtým, ako sa úplne vybije. Vždy prerušte prácu s nástrojom a nabíjajte akumulátor, keď spozorujete nižší výkon nástroja.
2. Nikdy nenabíjajte plne nabitý akumulátor. Prebijanie skracuje životnosť akumulátora.
3. Akumulátor nabíjajte pri izbovej teplote 10 °C – 40 °C (50 °F – 104 °F). Pred nabíjaním nechajte horúci akumulátor vychladnúť.

4. Keď akumulátor nepoužívate, vyberte ho z nástroja alebo nabíjačky.
5. Litium-iónový akumulátor nabíte, ak ste ho nepoužívali dlhšie ako šesť mesiacov.

Dôležité bezpečnostné pokyny pre bezdrôtovú jednotku

1. Bezdrôtovú jednotku nerozoberajte ani s ňou neodborne nemanipulujte.
2. Bezdrôtovú jednotku držte mimo dosahu malých detí. V prípade jej náhodného prehltnutia okamžite vyhľadajte lekársku pomoc.
3. Bezdrôtovú jednotku používajte len spolu s náradím Matika.
4. Bezdrôtovú jednotku nevystavujte účinkom dažďa ani iného vlhkého prostredia.
5. Bezdrôtovú jednotku nepoužívajte na miestach, kde teplota prekračuje 50 °C.
6. Bezdrôtovú jednotku nepoužívajte na miestach, kde sa nachádzajú zdravotnícke prístroje, akými sú napríklad kardiostimulátor.
7. Bezdrôtovú jednotku nepoužívajte na miestach, kde sa nachádzajú automatizované zariadenia. V opačnom prípade sa v automatizovaných zariadeniach môže vyskytnúť porucha alebo chyba.
8. Bezdrôtovú jednotku nepoužívajte na miestach s vysokou teplotou alebo na miestach, kde dochádza k vytváraniu statickej elektriny alebo elektrického šumu.
9. Bezdrôtová jednotka môže vytvárať elektromagnetické polia (EMF), ktoré však nie sú pre používateľa škodlivé.
10. Bezdrôtová jednotka je presné zariadenie. Bezdrôtovú jednotku chráňte pred pádom a nevystavuje ju nárazom.
11. Koncovky bezdrôtovej jednotky sa nedotýkajte holými rukami ani kovovými materiálmi.
12. Pred inštaláciou bezdrôtovej jednotky do výrobku vždy vyberte akumulátor.
13. Pri otvorení krytu zásuvky sa vyhýbajte miestam, kde by do zásuvky mohol preniknúť prach alebo voda. Vstupný otvor zásuvky musí byť vždy čistý.
14. Bezdrôtovú jednotku vždy vkladajte v správnom smere.
15. Spúšťačie tlačidlo bezdrôtovej prevádzky na bezdrôtovej jednotke nestláčajte príliš silno, ani ho nestláčajte žiadnym predmetom s ostrou hranou.
16. Pred prevádzkou vždy uzavrite kryt zásuvky.
17. Bezdrôtovú jednotku nevyberajte zo zásuvky, kým prebieha napájanie nástroja. Ignorovanie tohto pokynu môže zapríčiniť poruchu bezdrôtovej jednotky.
18. Z bezdrôtovej jednotky neodstraňujte nálepku.
19. Na bezdrôtovú jednotku nelepte žiadne nálepky.
20. Bezdrôtovú jednotku nenechávajte na mieste, kde dochádza k vytváraniu statickej elektriny alebo elektrického šumu.
21. Bezdrôtovú jednotku nevystavujte vysokým teplotám, nenechávajte ju napríklad v aute stojacom na slnku.
22. Bezdrôtovú jednotku nenechávajte na prašnom mieste ani na mieste, kde by mohlo dôjsť k vytváraniu korozívneho plynu.

23. V dôsledku náhlej zmeny teploty sa bezdrôtová jednotka môže zarsoiť. Bezdrôtovú jednotku nepoužívajte, kým nedôjde k úplnému vyschnutiu takéhoto zarosenia.
24. Pri čistení bezdrôtovú jednotku jemne utrite suchou mäkkou handričkou. Nepoužívajte benzín, riedidlo, vodivé mazivo ani iné podobné prípravky.
25. Bezdrôtovú jednotku uložte v dodávanom puzdre alebo náboje, v ktorej nedochádza k vytváraniu statického elektrického náboja.
26. Do zásuvky nástroja nekladajte žiadne iné zariadenia okrem bezdrôtovej jednotky Matika.
27. Nástroj nepoužívajte, ak je kryt bezdrôtovej jednotky poškodený. V prípade, že do zásuvky prenikne voda, prach alebo nečistoty, môže dôjsť k poruche.
28. Kryt zásuvky neťahajte ani neskrúcajte viac, než je nutné. V prípade, že sa kryt oddelí od nástroja, vráťte ho na miesto.
29. V prípade straty alebo poškodenia kryt vymeňte.

TIETO POKYNY USCHOVAJTE.

OPIS FUNKCIÍ

⚠ POZOR: Pred úpravou alebo kontrolou funkčnosti nástroja vždy skontrolujte, či je nástroj vypnutý a akumulátor je vybratý.

Inštalácia alebo demontáž akumulátora

⚠ POZOR: Pred inštaláciou alebo vybratím akumulátora nástroj vždy vypnite.

⚠ POZOR: Pri inštalovaní a vyberaní akumulátora pevne uchopte nástroj a akumulátor. Ak nástroj a akumulátor pevne neuchopíte, môže to mať za následok vyšmyknutie z vašich rúk s dôsledkom poškodenia nástroja a akumulátora, ako aj osobných poranení.

- **Obr.1:** 1. Červený indikátor 2. Tlačidlo 3. Akumulátor

Ak chcete vybrať akumulátor, vysuňte ho z nástroja, pričom posuňte tlačidlo na prednej strane akumulátora.

Akumulátor vložte tak, že jazyček akumulátora zarovnáte s drážkou v kryte a zasuniete ho na miesto. Zatlačte ho úplne, kým zakliknutím nezapadne na miesto. Ak vidíte červený indikátor, ako je znázornené na obrázku, nie je správne zaistený.

⚠ POZOR: Akumulátor vždy nainštalujte úplne, až kým nie je vidieť červený indikátor. V opačnom prípade môže náhodne vypadnúť z nástroja a ublížiť vám alebo osobám v okolí.

⚠ POZOR: Pri inštalovaní akumulátora nepoužívajte silu. Ak sa akumulátor nedá zasunúť ľahko, nekladáte ho správne.

Indikácia zvýšenej kapacity akumulátora

Stlačením tlačidla kontroly na akumulátore zobrazíte zostávajúcu kapacitu akumulátora. Indikátory sa na niekoľko sekúnd rozsvietia.

► **Obr.2:** 1. Indikátory 2. Tlačidlo kontroly

Indikátory			Zostávajúca kapacita
Svieti	Nesvieti	Bliká	
■	□	▧	
■ ■ ■ ■			75 % až 100 %
■ ■ ■ □			50 % až 75 %
■ ■ □ □			25 % až 50 %
■ □ □ □			0 % až 25 %
▧ □ □ □			Akumulátor nabíe.
■ ■ □ □			Akumulátor je možno chybný.
□ □ ■ ■	↑ ↓		

POZNÁMKA: V závislosti od podmienok používania a v závislosti od okolitej teploty sa môže zobrazenie mierne odlišovať od skutočnej kapacity.

POZNÁMKA: Prvý (úplne vľavo) svetelný indikátor bude blikať, keď systém ochrany akumulátora funguje.

Systém na ochranu nástroja/akumulátora

Nástroj je vybavený systémom ochrany nástroja/akumulátora. Tento systém automaticky vypne napájanie motora s cieľom predĺžiť životnosť nástroja a akumulátora. Nástroj sa počas prevádzky automaticky zastaví v prípade, ak sa nástroj alebo akumulátor dostanú do jedného z nasledujúcich stavov:

Ochrana proti preťaženiu

Keď sa akumulátor používa spôsobom, ktorý spôsobuje odber neštandardne vysokého prúdu, nástroj sa bez upozornenia automaticky vypne. V tejto situácii vypnite nástroj a ukončite prácu, ktorá spôsobuje jeho preťažovanie. Potom nástroj znova zapnite.

Ochrana pred prehrievaním

Keď sa nástroj alebo akumulátor prehreje, nástroj sa automaticky zastaví. V takomto prípade nechajte nástroj a akumulátor pred opätovným spustením vychladnúť.

POZNÁMKA: Pri prehrievaní nástroja lampa bliká.

Ochrana pred nadmerným vybitím

Keď je kapacita akumulátora nedostatočná, nástroj sa automaticky vypne. V takomto prípade vyberte akumulátor z nástroja a nabíe ho.

Ochrana pred ďalšími nebezpečenstvami

Systém ochrany bol navrhnutý tak, aby chránil aj pred ďalšími nebezpečenstvami, ktoré by mohli poškodiť nástroj, a zaisťuje automatické zastavenie nástroja. Ak sa nástroj dočasne zastavil alebo prerušil prevádzku, problém vyriešte vykonaním nasledujúcich krokov.

1. Reštartujte nástroj tak, že ho vypnete a potom znova zapnete.
2. Nabíe akumulátory alebo ich vymeňte za nabíe akumulátory.
3. Nechajte nástroj aj akumulátory vychladnúť.

Ak po obnovení systému ochrany nedošlo k zlepšeniu stavu, obráťte sa na miestne servisné stredisko spoločnosti Makita.

Zapínanie

VAROVANIE: Pred vložením akumulátora do nástroja sa vždy presvedčíte, či spúšťací spínač funguje správne a po uvoľnení sa vráti do pozície „OFF“.

► **Obr.3:** 1. Spúšťací spínač

Ak chcete nástroj spustiť, stačí stlačiť jeho spúšťací spínač. Rýchlosť nástroja sa zvyšuje zvyšovaním prítlaku na spúšťací spínač. Nástroj zastavíte uvoľnením spúšťacieho spínača.

Zapnutie prednej lampy

► **Obr.4:** 1. Lampa

POZOR: Nedívejte sa priamo do svetla ani jeho zdroja.

Lampu rozsvietite stlačením spúšťacieho tlačidla. Lampa svieti, kým ťaháte spúšťací spínač. Lampa zhasne asi 10 sekúnd po uvoľnení spúšťacieho spínača.

POZOR: Ak indikátor po niekoľkosekundovom zablikaní zhasne, technológia aktívneho snímania spätnej väzby nefunguje správne. Požiadajte o opravu miestne servisné stredisko spoločnosti Makita.

POZNÁMKA: Suchou tkaninou utrite znečistené šošovky lampy. Dávajte pozor, aby sa šošovky lampy nepoškriabali. Mohla by sa znížiť intenzita osvetlenia.

POZNÁMKA: Prednú lampu nemožno použiť, keď je v nástroji nainštalovaný systém na zber prachu (voliteľné príslušenstvo).

Činnosť prepínacej páčky smeru otáčania

► **Obr.5:** 1. Prepínanie páčka smeru otáčania

POZOR: Pred začatím činnosti vždy skontrolujte smer otáčania.

POZOR: Smer otáčania prepínajte až po úplnom zastavení nástroja. Pri zmene smeru otáčania pred úplným zastavením by sa mohol nástroj poškodiť.

POZOR: Keď nástroj nepoužívate, prepínanie páčku smeru otáčania vždy prepnite do neutrálnej polohy.


Tento nástroj má prepínač páčku na zmenu smeru otáčania. Zatláčte prepínač páčku smeru otáčania zo strany A pre otáčanie v smere pohybu hodinových ručičiek alebo zo strany B pre otáčanie proti smeru pohybu hodinových ručičiek. Keď je prepínač páčka smeru otáčania v neutrálnej polohe, spúšťací spínač sa nedá potiahnuť.

Výber funkcie nástroja

UPOZORNENIE: Neotáčajte prepínačom na zmenu funkcie za chodu náradia pri zatažení. Môže to spôsobiť poškodenie náradia.

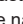
UPOZORNENIE: Nadmernému opotrebovaniu mechanizmu na zmenu funkcie predídete tým, že vždy nastavíte prepínač presne na jednu z troch polôh pracovných režimov.

Vrtanie s príklepom

Pri vrtaní do betónu, muriva atď. otočte prepínač na zmenu funkcie na symbol  pri súčasnom stlačení uvoľňovacieho tlačidla na prepínači. Používajte vrták s volfrám-karbidovým hrotom (voliteľné príslušenstvo).

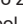
► **Obr.6:** 1. Vrtanie s príklepom 2. Prepínač na zmenu funkcie 3. Uvoľňovacie tlačidlo

Len vrtanie

Pri vrtaní do dreva, kovu alebo plastových materiálov otočte prepínač na zmenu funkcie na symbol  pri súčasnom stlačení uvoľňovacieho tlačidla na prepínači. Použite špirálový vrták alebo vrták do dreva.

► **Obr.7:** 1. Len vrtanie

Len príklep

Pri sekání, osekávaní alebo zbíjaní otočte prepínač na zmenu funkcie na symbol  pri súčasnom stlačení uvoľňovacieho tlačidla na prepínači. Použite tyč s hrotom, plochý sekáč, sekacie dláto a pod.

► **Obr.8:** 1. Len príklep

Hák

Voliteľné príslušenstvo

▲POZOR: Ak chcete náradie zavesiť na hák, vždy z neho vyberte akumulátor.

▲POZOR: Náradie nikdy nezavesujte príliš vysoko ani nepoužívajte na potenciálne nestabilnom povrchu.

Hák je vhodný na dočasné zavesenie nástroja.

Pred inštaláciou háku odstráňte gumový uzáver z otvorov na skrutky v montážnej konzole. Pod konzolu vložte ploché podložky a potom utiahnite hák so skrulkami na mieste.

► **Obr.9:** 1. Gumový uzáver 2. Montážna konzola 3. Ploché podložky 4. Hák 5. Skrutky

Ak chcete použiť hák, zdvihajte jeho rameno, kým nezapadne do otvorenej polohy.

Keď sa hák nepoužíva, vždy ho sklopte späť do zatvorenej polohy.

► **Obr.10:** 1. Hák 2. Otvorená poloha 3. Zatvorená poloha

► **Obr.11**

Pripojenie lana (popruhu) k háku

▲POZOR: Nepoužívajte poškodený hák ani skrutky. Pred použitím vždy skontrolujte, či nie sú skrutky poškodené, prasknuté alebo deformované, a uistite sa, že sú utiahnuté.

▲POZOR: Uistite sa, že je hák bezpečne pripojený skrulkami.

▲POZOR: Počas zavesenia nástroja nemontujte ani nedemontujte žiadne príslušenstvo. Ak nebudú skrutky dostatočne utiahnuté, nástroj by mohol spadnúť.

▲POZOR: Vždy používajte uzamykaciu karabínu (viacnásobné a skrulkovacie zamykanie) a lano (popruh) pripojte k dvojitej slučkovej časti háku. Nesprávne pripojenie môže viesť k vypadnutiu nástroja z háku a spôsobiť zranenie osôb.

Hák sa používa aj na pripojenie lana (popruhu). Lano (popruh) pripojte k dvojitej slučkovej časti háku.

► **Obr.12:** 1. Dvojité slučkové časti háku 2. Lano (popruh) 3. Uzamykacia karabína (viacnásobné a skrulkovacie zamykanie)

Bezpečnostné varovania týkajúce sa pripojenia lana (popruhu) k háku

▲Bezpečnostné varovania špecifické pre použitie vo výškach

Prečítajte si všetky bezpečnostné výstrahy a pokyny. Nedodržanie varovaní a pokynov môže viesť k vážnemu zraneniu.

1. Vždy pri práci „vo výškach“ udržiavajte náradie pripojené. Maximálna dĺžka lana je 2 m. Maximálna povolená dĺžka pádu pre lano (popruh) nesmie presiahnuť 2 m.
2. Používajte iba s lanami vhodnými pre tento typ nástroja a s minimálnou nosnosťou 8,0 kg.
3. Lano nástroja neupevňujte k svojmu telu ani k pohyblivým častiam. Lano nástroja upevnite k pevnej konštrukcii, ktorá dokáže odolať silám nástroja pri páde.
4. Pred použitím skontrolujte, či je lano správne zaistené na oboch koncoch.
5. Pred každým použitím skontrolujte, či nie sú nástroj a lano poškodené a či správne fungujú (vrátane tkaniny a stehov). Nepoužívajte ich, ak sú poškodené alebo nefungujú správne.
6. Laná neomotávajte a nedovoľte, aby sa dostali do kontaktu s ostrými alebo hrubými okrajmi.
7. Upevnite druhý koniec lana mimo pracovnej oblasti tak, aby sa padajúci nástroj bezpečne zachytil.
8. Pripojte lano tak, aby sa nástroj v prípade pádu pohyboval mimo operátora. Spadnuté nástroje sa budú hodiť na lane, čím môžu spôsobiť zranenie alebo stratu rovnováhy.
9. Nepoužívajte v blízkosti pohyblivých častí alebo bežiacich strojov. V opačnom prípade môže dôjsť k nebezpečenstvu nárazu alebo spadnutia.
10. Nástroj neprenášajte pomocou upevňovacieho zariadenia alebo lana.

11. **Nástroj presúvajte medzi rukami iba vtedy, keď máte dostatočnú rovnováhu.**
12. **K náradiu nepripevňujte laná spôsobom, ktorý by bránil správnej funkcii prepínačov alebo zaist'ovacieho tlačidla spínača.**
13. **Dávajte pozor, aby ste sa nezamotali do lana.**
14. **Lano udržiavajte mimo oblasti vrtania náradia.**
15. **Používajte uzamykáciu karabínu (viacnásobné a skrútkovacie zamykanie). Nepoužívajte jed- nouúčelové karabíny s pružinovými sponami.**
16. **V prípade, že nástroj spadne, musí sa označiť a vyradiť z prevádzky a mal by sa dať skontrolovať v spoločnosti Makita alebo v autorizovanom servisnom stredisku.**

Obmedzovač krútiaceho momentu

UPOZORNENIE: Len čo sa obmedzovač spustí, náradie ihneď vypnite. Zabráňte tým predčasnému opotrebovaniu náradia.

UPOZORNENIE: Vrtáky, ako napríklad korunka, ktoré často zvyknú uviaznuť alebo sa zachytiť v otvore, nie sú vhodné pre toto náradie. Pri ich používaní by sa obmedzovač aktivoval až príliš často.

Obmedzovač krútiaceho momentu preruší otáčanie vrtáka po dosiahnutí určitej hodnoty krútiaceho momentu. Preruší sa spojenie medzi motorom a vývodovým hriadeľom. Keď sa tak stane, vrták sa prestane otáčať.

Elektronické funkcie

Nástroj je kvôli jednoduchšej obsluhu vybavený elektro- nými funkciami.

- Elektrická brzda
Tento nástroj je vybavený elektrickou brzdou. Ak sa nástroju nepretržite nedarí rýchlo prerušiť funkciu po uvoľnení spúšťacieho spínača, nechajte si nástroj opraviť v servisnom stredisku spoločnosti Makita.
- Regulácia konštantných otáčok
Funkcia ovládania otáčok zaist'uje stále otáčky bez ohľadu na záťaž.
- Technológia aktívneho snímania spätnej väzby
Pri prudkom výkyve nástroja počas prevádzky vopred určeným zrýchlením sa motor nútene zastaví, aby sa znížilo namáhanie zápästia.

POZNÁMKA: Táto funkcia nefunguje, ak zrýchlenie nedosiahne vopred určenú hodnotu pri prudkom výkyve.

POZNÁMKA: Pri prudkom výkyve vrtáka počas sekania, osekávania či zbíjania vopred určeným zrýchlením sa motor nútene zastaví. V tomto prípade uvoľnite spúšťací spínač a následne ho znova potiahnite, aby ste znova spustili nástroj.

ZOSTAVENIE

⚠ POZOR: Pred vykonaním akejkoľvek práce na nástroji vždy skontrolujte, či je nástroj vypnutý a akumulátor je vybrať.

Bočná rukoväť (pomocná rukoväť)

⚠ POZOR: Na zaistenie bezpečnej prevádzky vždy používajte bočnú rukoväť.

⚠ POZOR: Po inštalácii alebo nastavení bočnej rukoväti sa ubezpečte, že bočná rukoväť je pevne zaistená a že jej zadržiavacie výčnelky sú kompletne zachytené polohovacími priehlbínami na kryte prevodu.

Pri montáži bočnej rukoväti postupujte podľa nasledujúcich krokov.

1. Uvoľnite krídlovú skrutku na bočnej rukoväti. Potom nainštalujte bočnú rukoväť cez krk zásobníka krytu prevodu.
 - **Obr.13:** 1. Bočná rukoväť 2. Krídlová skrutka 3. Krk zásobníka krytu prevodu 4. Zadržiavací výčnelok 5. Polohovacia priehlbina

Upevňovací prstenec sa dá zväčšiť zatlačením krídlovej skrutky, aby prstenec ľahko a bezpečne zapadol na krk zásobníka krytu prevodu.

- **Obr.14:** 1. Krídlová skrutka 2. Upevňovací prstenec

2. Utiahnite krídlovú skrutku na zaistenie rukoväti v požadovanom uhle.

Mazivo

Voliteľné príslušenstvo

Na koncovku držiaka vrtáka naneste najprv malé množstvo maziva (približne 0,5 – 1 g).

Mazaním sa zabezpečí plynulý priebeh práce a dlhšia životnosť nástroja.

Montáž a demontáž vrtáka

Koncovku držiaka vrtáka očistite a pred nasadením vrtáka naneste mazivo.

- **Obr.15:** 1. Koncovka držiaka 2. Mazivo

Umiestnite koncovku držiaka vrtáka do skľučovadla a zasuňte ju ďalej do skľučovadla, pričom rukou otáčajte vrták tak, aby koncovka držiaka dobre zapadla do drážky skľučovadla a v plnej miere sa uchytila.

Vrták po nainštalovaní skúste vytiahnuť von, aby ste sa presvedčili, či je bezpečne uchytený na mieste.

- **Obr.16:** 1. Vvrták 2. Skľučovadlo


Pri vyberaní vrtáka kryt skľučovadla zatlačte až na doraz smerom nadol a vrták vyberte.

- **Obr.17:** 1. Vvrták 2. Kryt skľučovadla

Uhol dláta (pri sekani, osekávaní alebo zbíjaní)

Dláto možno zaistiť do požadovaného uhla. Prepnite prepínač na zmenu funkcie na symbol O a potom otočte dláto do požadovaného uhla.

- **Obr.18:** 1. Prepínač na zmenu funkcie 2. Symbol O

Prepínač na zmenu funkcie prepnite na symbol . Rukou skúste otočiť dláto a presvedčte sa, že je bezpečne zaistené.

Hĺbkomer

Hĺbkomer je užitočný pri vŕtaní otvorov rovnej hĺbky. Stlačte a podržte poistné tlačidlo a vložte hĺbkomer do šesťhranného otvoru. Uistite sa, že strana hĺbkomera so zubami smeruje k značke ozubenia na šesťhrannom otvore.

- **Obr.19:** 1. Hĺbkomer 2. Poistné tlačidlo
3. Šesťhranný otvor 4. Strana so zubami
5. Značka ozubenia

Nastavte hĺbkomer posúvaním dopredu a dozadu, pričom držte stlačené poistné tlačidlo. Po nastavení uvoľnite poistné tlačidlo, aby sa hĺbkomer zaistil.

POZNÁMKA: Dbajte na to, aby sa hĺbkomer pri pripájaní nedotýkal tela nástroja.

Systém na zber prachu

Voliteľné príslušenstvo

Montáž

1. Zdvihnite zaisťovaciu západku do odistenej polohy a vysuňte kryt vzduchovodu z krytu motora.

- **Obr.20:** 1. Kryt vzduchovodu 2. Zaisťovacia západka

2. Namontujte nástroj na systém na zber prachu nasunutím vodiacich drážok na spodnej strane krytu prevodu na vodiace lišty na hornej strane systému na zber prachu, až kým nezacvakne na miesto.

- **Obr.21:** 1. Vodiace drážky 2. Vodiace lišty
3. Systém na zber prachu

Demontáž

1. Nástroj môžete odmontovať zo systému na zber prachu stlačením tlačidla odomknutia na systéme na zber prachu a vysunutím nástroja.

- **Obr.22:** 1. Systém na zber prachu 2. Tlačidlo odomknutia

2. Nasuňte kryt vzduchovodu späť pozdĺž vodiacich drážok na kryt prevodu tak, aby zacvakol na miesto.

- **Obr.23:** 1. Kryt vzduchovodu 2. Vodiace drážky

UPOZORNENIE: Po odpojení systému na zber prachu od nástroja nezabudnite na vzduchovod znovu nasadiť kryt vzduchovodu. Ak sa nástroj použije bez nasadeného krytu vzduchovodu, môže to ovplyvniť jeho výkon.

Úprava polohy hubice na systéme na zber prachu

Po stlačení nastavovacieho tlačidla vodidla môžete zasúvať a vysúvať vodidlo hubice a potom tlačidlo uvoľniť presne v polohe, kde sa hrot vrtáka nachádza tesne za prednou stranou hubice.

- **Obr.24:** 1. Vodidlo 2. Nastavovacie tlačidlo vodidla
3. Hrot vrtáka 4. Predná strana hubice

POZNÁMKA: Pred nastavením polohy hubice stlačením nastavovacieho tlačidla vodidla uvoľnite napätie na vodidle hubice a uvoľnite ho do úplne vysunutej polohy.

Nastavenie hĺbky vŕtania

Hĺbka vŕtania sa dá nastaviť zmenou dĺžok medzi nastavovacím tlačidlom hĺbky a zadným koncom vodidla hubice. Stlačte a podržte nastavovacie tlačidlo hĺbky a posuňte ho do požadovanej polohy.

- **Obr.25:** 1. Nastavovacie tlačidlo hĺbky 2. Vodidlo
3. Hĺbka vŕtania

Uskladnenie

UPOZORNENIE: Ak sa vodidlo hubice určitý čas nepoužíva, musí sa vysunúť do polohy približne 100 mm z úplne skrátenej polohy. V opačnom prípade môže dôjsť k poškodeniu hadice vzduchovodu predinštalovanej vo vodidle hubice.

- **Obr.26:** 1. Nastavovacie tlačidlo vodidla 2. Približne 100 mm

Prachový kryt

Voliteľné príslušenstvo

Prachový kryt slúži na zachytávanie prachu pri vŕtaní v polohe nad hlavou. Nasadíte kryt na vrták, ako je to znázornené na obrázku. Rozmery vrtákov, na ktoré je možné prachový kryt nasadiť.

Model	Priemer vrtáku
Prachový kryt 5	6 mm – 14,5 mm
Prachový kryt 9	12 mm – 16 mm

- **Obr.27:** 1. Prachový kryt

Súprava prachových krytov

Voliteľné príslušenstvo

▲POZOR: Pred nainštalovaním a odinštalovaním súpravy prachových krytov vyberte vrták z nástroja.

Montáž

Umiestnite súpravu prachových krytov na krk zásobníka krytu prevodu tak, aby symbol Δ na prachovom kryte bol zarovnaný s jednou z drážok v zásobníku. Potom uchopíte jednotku nadstavca súpravy prachových krytov a zatlačením na zásobník ju zaistíte na mieste.

- **Obr.28:** 1. Súprava prachových krytov 2. Jednotka nadstavca 3. Δ symbol 4. Drážka

POZNÁMKA: Ak k súprave prachového filtra pripájate vysávač, pred jeho pripojením odstráňte prachový uzáver.

- **Obr.29:** 1. Prachový uzáver

Demontáž

Zatlačte kryt skľučovadla až na doraz smerom nadol a vrták vyberte.

- **Obr.30:** 1. Vrták 2. Kryt skľučovadla

Uchopte jednotku nadstavca súpravy prachových krytov a ťahom ju oddelte od nástroja.

- **Obr.31:** 1. Jednotka nadstavca

POZNÁMKA: Ak sa uzáver oddelí od súpravy prachových krytov, dajte ho späť do pôvodnej polohy.

1. Oddelíte vlnovcovú hadicu od jednotky nadstavca súpravy prachových krytov.

► **Obr.32:** 1. Vlnovcová hadica 2. Jednotka nadstavca

2. Uzáver dajte na miesto tak, aby strana s potlačou smerovala nahor.

► **Obr.33:** 1. Uzáver 2. Strana s potlačou 3. Drážky 4. Okraje horného otvoru 5. Jednotka nadstavca

3. Dbajte na to, aby drážky okolo uzáveru dobre zapadli do okrajov horného otvoru jednotky nadstavca.

► **Obr.34**

PREVÁDZKA

▲POZOR: Vždy používajte bočnú rukoväť (pomocnú rukoväť) a nástroj pri práci držte pevne za bočnú rukoväť aj spínačiu rúčku.

▲POZOR: Pred prácou si obrobok vždy pevne zaistíte.

▲POZOR: Nevyťahujte nástroj nasilu, ani keď sa zasekne vrták. Strata ovládania môže mať za následok poranenie.

▲POZOR: Systém na zber prachu je určený len na vrtanie do betónu. Systém na zber prachu nepoužívajte, ak vrtáte do kovu alebo dreva.

▲POZOR: Keď používate nástroj so systémom na zber prachu, nezabudnite pripojiť k systému zberu prachu filter, čím predídete vdychovaniu prachu.

▲POZOR: Pred použitím systému na zber prachu skontrolujte, či nie je filter poškodený. V opačnom prípade môže dôjsť k vdychovaniu prachu.

▲POZOR: Systém na zber prachu zhromažďuje prach značnou rýchlosťou, nie je však možné zhromaždiť všetok prach.

UPOZORNENIE: Ak je nástroj v nepretržitej prevádzke pri nízkych otáčkach po dlhý čas, motor sa môže preťažiť, následkom čoho bude porucha nástroja.

UPOZORNENIE: Systém na zber prachu nepoužívajte pri vrtaní jadrovými korunkami alebo sekani dlátom.


UPOZORNENIE: Systém na zber prachu nepoužívajte pri vrtaní do mokrého betónu ani nepoužívajte tento systém vo vlhkom prostredí. V opačnom prípade môže dôjsť k poruche.

POZNÁMKA: Ak sa akumulátor nachádza v prostredí s nízkou teplotou, nemusí sa dosiahnuť maximálny výkon nástroja. V takom prípade zohrejte akumulátor krátkodobým použitím nástroja bez záťaže, aby sa obnovil maximálny výkon nástroja.

► **Obr.35**

Vrtanie s príklepom


▲POZOR: Pri dokončovaní priechodného otvoru môže dôjsť k náhlej reakcii náradia/vrtáku, keď sa otvor zanesie trieskami a úlomkami materiálu, alebo pri náraze na vystuž v betóne. **Vždy používajte bočnú rukoväť (pomocnú rukoväť) a nástroj pri práci držte pevne za bočnú rukoväť aj spínačiu rúčku.** V opačnom prípade by ste mohli stratiť nad náradím kontrolu a spôsobiť vážne poranenie.

Prepínač na zmenu funkcie nastavte na symbol . Vrták nastavte do požadovanej polohy pre hĺbku otvoru a stlačte spúšťací spínač. Nevyvíjajte na nástroj veľký tlak. Menším tlakom dosiahnete vyššiu efektivitu práce. Držte nástroj presne v potrebnej polohe, aby vrták neskĺzol mimo vrtaný otvor.

Nevyvíjate väčší tlak, keď sa otvor zanesie úlomkami materiálu. Namiesto toho nechajte nástroj pracovať voľne a trochu povytiahnite vrták z otvoru. Po niekoľkonásobnom zopakovaní tohto úkonu sa otvor vyčistí a môžete pokračovať vo vrtaní.

POZNÁMKA: Na voľnobežných otáčkach môže dôjsť k vyoseniu vrtáka. Počas prevádzky sa nástroj automaticky vycentruje. Toto vyosenie nemá vplyv na presnosť vrtania.

Sekanie/osekávanie/zbíjanie

Prepínač na zmenu funkcie nastavte na symbol . Držte náradie pevne oboma rukami. Zapnite náradie a trochu naň tlačte, aby nekontrolovane neposkakovalo. Príliš veľký tlak nezaručuje najlepšie výsledky.

► **Obr.36**

Vrtanie do dreva alebo kovu

▲POZOR: Držte nástroj pevne a dávajte pozor, keď vrták začína prenikať do obrobku. V čase prerážania otvorom pôsobí na nástroj/vrták veľká sila.

▲POZOR: Uviaznutý vrták sa dá jednoducho uvoľniť prepnutím prepínača smeru otáčania do opačnej polohy. Pokiaľ však nástroj nedržíte pevne, môže nečakane vyskočiť.

▲POZOR: Obrobky vždy upínajte do zveráka či do podobného upevňovacieho zariadenia.

UPOZORNENIE: Nikdy nepoužívajte „príklepové vrtanie“ pokiaľ je v náradí nasadené skľučovadlo. Mohlo by dôjsť k poškodeniu skľučovadla. Pri spätnom chode náradia by mohlo dôjsť aj k vysunutiu skľučovadla.

UPOZORNENIE: Nadmerným tlakom na nástroj vrtanie neurýchľite. V skutočnosti tento nadmerný tlak vedie len k poškodeniu hrotu vášho vrtáka, zníženiu účinnosti nástroja a skráteniu jeho životnosti.

Prepínač na zmenu funkcie nastavte na symbol .

Inštalácia súpravy skľučovadiel


Voliteľné príslušenstvo

Adaptér skľučovadla pripojte k vrtákovému skľučovadlu bez kľúča, ku ktorému možno namontovať skrutku s veľkosťou 1/2"-20, a potom ich namontujte na nástroj. Podrobné informácie o inštalácii adaptéra do skľučovadla nájdete v návode na inštaláciu vrtáka.

► **Obr.37:** 1. Skľučovadlo bez kľúča 2. Adaptér skľučovadla

Vrtanie diamantovými jadrovými korunkami

UPOZORNENIE: Ak by ste pracovali v režime „príklepové vrtanie“, korunky by sa mohli poškodiť.

Pri vrtaní diamantovými jadrovými korunkami vždy nastavte prepínač na zmenu funkcie do polohy so symbolom  na použitie „len vrtania“.

Odstránenie prachu z filtra oklepaním

Voliteľné príslušenstvo

▲POZOR: Neotáčajte otočným ovládačom na nádobe na prach, keď je nádoba na prach odstránená zo systému na zber prachu. V takom prípade môže dôjsť k vdychovaniu prachu.

▲POZOR: Vždy, keď otáčate otočným ovládačom na nádobe na prach, vypnite nástroj. Pri otáčaní otočným ovládačom počas prevádzky nástroja môže dôjsť k strate ovládania nástroja.

Odstránením prachu z filtra vo vnútri nádoby na prach jeho oklepaním môžete zachovať účinnosť vysávania a tiež znížiť počet úkonov na odstránenie prachu.

Trikrát otočte nastavovacie koliesko nádoby na prach po každom nahromadení 50 000 mm³ prachu, alebo ak máte pocit, že výkon vysávania je znížený.

POZNÁMKA: 50 000 mm³ prachu sa rovná vyvrtaniu 10 otvorov s priemerom ø10 mm a hĺbkou 65 mm.

► **Obr.38:** 1. Nádoba na prach 2. Nastavovacie koliesko

Likvidácia prachu

Voliteľné príslušenstvo

▲POZOR: Pred vykonaním akejkoľvek práce na nástroji vždy skontrolujte, či je nástroj vypnutý a akumulátor je vybratý.

▲POZOR: Pri likvidácii prachu si nezabudnite nasadiť protiprachovú masku.

▲POZOR: Nádobu na prach pravidelne vyprázdňujte skôr ako sa úplne naplní. V opačnom prípade sa môže znížiť účinnosť zberu a môže dôjsť k vdychovaniu prachu.

▲POZOR: Účinnosť zberu prachu sa zníži, ak sa filter v nádobe na prach zanesie. Orientačne sa odporúča vymeniť filter za nový po 200 naplneniach prachom. V opačnom prípade môže dôjsť k vdychovaniu prachu.

1. Ak chcete vybrať nádobu na prach, zatlačte nadol uzatváraciu páčku nádoby na prach.

► **Obr.39:** 1. Uzavracíacia páčka

2. Nadvihnite zaisťovaciu západku mierne smerom von a otvorte kryt nádoby na prach.

► **Obr.40:** 1. Kryt nádoby na prach 2. Zaisťovacia západka

3. Zlikvidujte prach a potom vyčistite filter.

► **Obr.41**

UPOZORNENIE: Pri čistení filtra jemne poklepte rukou na puzdro filtra, aby sa odstránil prach. Nekrepte priamo na filter, nedotýkajte sa ho kefou či podobným predmetom ani neaplikujte na filter stlačený vzduch. Filter by sa mohol poškodiť.

Ofukovací balónik

Voliteľné príslušenstvo

Ofukovací balónik slúži na vyčistenie vyvrtaného otvoru od prachu.

► **Obr.42**

Používanie súpravy prachových krytov

Voliteľné príslušenstvo

Počas používania nástroja pripevnite súpravu prachových krytov k stropu.

► **Obr.43**

UPOZORNENIE: Ak vrtáte do kovu alebo podobného materiálu, súpravu prachových krytov nepoužívajte. Mohla by sa poškodiť v dôsledku tepla vygenerovaného malými kovovými prachovými alebo podobnými časticami.

UPOZORNENIE: Súpravu prachových krytov neinštalujte ani nedemontujte, keď je na nástroji nainštalovaný vrták. Mohol by poškodiť súpravu prachových krytov a spôsobiť únik.

FUNKCIA BEZDRÔTOVÉHO SPÚŠŤANIA

Využitie funkcie bezdrôtového spúšťania

Funkcia bezdrôtového spúšťania umožňuje vykonávať čistú a pohodlnú prevádzku. Pripojením podporovaného vysávača k nástroju môžete vysávač prevádzkovať automaticky spolu s aktiváciou spínača nástroja.

► **Obr.44**

Na používanie funkcie bezdrôtového spúšťania si pripravte nasledujúce položky:

- bezdrôtovú jednotku (voliteľné príslušenstvo),
- vysávač s podporou funkcie bezdrôtového spúšťania.

Nasleduje prehľad nastavení funkcie bezdrôtového spúšťania. V každej kapitole nájdete podrobný postup.

1. Inštalácia bezdrôtovej jednotky
2. Registrácia nástroja v systéme vysávača
3. Spustenie funkcie bezdrôtového spúšťania

Inštalácia bezdrôtovej jednotky

Volitelné príslušenstvo

▲ POZOR: Pri inštalácii bezdrôtovej jednotky umiestnite nástroj na rovný a pevný podklad.

UPOZORNENIE: Pred inštaláciou bezdrôtovej jednotky očistite prach a nečistoty z nástroja.

Prach a nečistoty môžu spôsobiť poruchu, keď preniknú do zásuvky bezdrôtovej jednotky.

UPOZORNENIE: Pred uchopením bezdrôtovej jednotky sa dotknite materiálu spôsobujúceho uvoľnenie statického náboja, napríklad kovovej časti nástroja, aby ste zabránili poruche v dôsledku statickej elektriny.

UPOZORNENIE: Pri inštalácii bezdrôtovej jednotky sa vždy presvedčte, či je bezdrôtová jednotka vložená v správnom smere a kryt sa úplne zavrel.

1. Kryt na nástroji otvorte podľa znázornenia na obrázku.

► **Obr.45:** 1. Kryt

2. Do zásuvky vložte bezdrôtovú jednotku a potom kryt zatvorte.

Pri vkladaní bezdrôtovej jednotky zarovnajte výčnelky s lôžkami zásuvky.

► **Obr.46:** 1. Bezdrôtová jednotka 2. Výčnelok 3. Kryt 4. Lôžko

Pri vyberaní bezdrôtovej jednotky pomaly otvorte kryt. Háčiky na zadnej strane krytu nadvihnú bezdrôtovú jednotku pri ťahaní za kryt.

► **Obr.47:** 1. Bezdrôtová jednotka 2. Háčik 3. Kryt

Po vybratí bezdrôtovej jednotky uložte do dodávaného puzdra alebo do nádoby, v ktorej nedochádza k vytváraniu statického elektrického náboja.

UPOZORNENIE: Pri vyberaní bezdrôtovej jednotky vždy využívajte háčiky na zadnej strane krytu. Ak háčiky bezdrôtovej jednotky nezachytia, kryt úplne zatvorte a znova ho pomaly otvorte.

Registrácia nástroja v systéme vysávača

POZNÁMKA: Registrácia nástroja vyžaduje použitie vysávača značky Makita s podporou funkcie bezdrôtového spúšťania.

POZNÁMKA: Pre začiatkom registrácie nástroja ukončite inštaláciu bezdrôtovej jednotky do nástroja.

POZNÁMKA: V priebehu registrácie nástroja nepoužívajte spúšťací spínač ani vypínač vysávača.

POZNÁMKA: Postupujte aj podľa pokynov v návode na používanie vysávača.

Ak chcete vysávač spúšťať súčasne s aktiváciou spínača, najprv dokončíte registráciu nástroja.

1. Vložte akumulátory do vysávača a nástroja.

2. Prepínač pohotovostného režimu vysávača nastavte do polohy „AUTO“.

► **Obr.48:** 1. Prepínač pohotovostného režimu

3. Na 3 sekundy stlačte spínač bezdrôtového spúšťania vysávača a počkajte, kým indikátor bezdrôtového spúšťania nebude blikať nazeleno. Potom rovnakým spôsobom stlačte tlačidlo bezdrôtového spúšťania nástroja.

► **Obr.49:** 1. Tlačidlo bezdrôtového spúšťania
2. Indikátor bezdrôtového spúšťania

V prípade úspešného prepojenia vysávača a nástroja sa indikatory bezdrôtového spúšťania na 2 sekundy rozsvietia nazeleno a potom začnú blikať modrou farbou.

POZNÁMKA: Indikatory bezdrôtového spúšťania prestanú blikať nazeleno po uplynutí 20 sekúnd. Tlačidlo bezdrôtového spúšťania na nástroji držte, kým indikátor bezdrôtového spúšťania vysávača bliká. Ak indikátor bezdrôtového spúšťania nebliká nazeleno, znova krátko podržte stlačené tlačidlo bezdrôtového spúšťania.

POZNÁMKA: Pri vykonávaní dvoch alebo viacerých registrácií nástrojov v rámci jedného vysávača, vykonávajte registrácie nástrojov postupne.

Spustenie funkcie bezdrôtového spúšťania

POZNÁMKA: Pred bezdrôtovým spustením dokončíte registráciu nástroja v rámci vysávača.

POZNÁMKA: Postupujte aj podľa pokynov v návode na používanie vysávača.

Po registrácii nástroja v rámci vysávača sa vysávač automaticky spustí pri použití spínača nástroja.

1. Nainštalujte bezdrôtovú jednotku do nástroja.

2. K nástroju pripojte hadicu vysávača.

► **Obr.50**

3. Prepínač pohotovostného režimu vysávača nastavte do polohy „AUTO“.

► **Obr.51:** 1. Prepínač pohotovostného režimu

4. Krátko stlačte tlačidlo bezdrôtového spúšťania nástroja. Indikátor bezdrôtového spúšťania sa rozbliká modrou farbou.

► **Obr.52:** 1. Tlačidlo bezdrôtového spúšťania
2. Indikátor bezdrôtového spúšťania

5. Potiahnite spúšťací spínač nástroja. Skontrolujte, či sa vysávač spustí po potiahnutí spúšťacieho spínača.

Ak chcete zastaviť bezdrôtové spúšťanie vysávača, stlačte tlačidlo bezdrôtového spúšťania na nástroji.

POZNÁMKA: Indikátor bezdrôtového spúšťania na nástroji prestane blikať namodro pri nečinnosti nástroja trvajúcej 2 hodiny. V takomto prípade nastavte prepínač pohotovostného režimu vysávača do polohy „AUTO“ a znova stlačte tlačidlo bezdrôtového spúšťania na nástroji.

POZNÁMKA: Vysávač sa spúšťa/zastavuje s oneskorením. Pri zisťovaní stlačenia spínača nástroja v rámci vysávača dochádza k oneskoreniu.










POZNÁMKA: Dosah vysielača bezdrôtovej jednotky sa môže líšiť v závislosti od umiestnenia a okolitých podmienok.

POZNÁMKA: V prípade, že je v rámci vysávača zaregistrovaných viacero nástrojov, vysávač sa môže spustiť, hoci nepotiahnete spúšťací spínač, pretože iný používateľ používa funkciu bezdrôtového spúšťania.

Popis stavov indikátora bezdrôtového spúšťania

► Obr.53: 1. Indikátor bezdrôtového spúšťania

Indikátor bezdrôtového spúšťania vyjadruje stav funkcie bezdrôtového spúšťania. Nasledujúca tabuľka obsahuje informácie o význame stavu indikátora.

Stav	Indikátor bezdrôtového spúšťania				Popis
	Farba	 Svieti	 Bliká	Trvanie	
Pohotovostný režim	Modrá			2 hodiny	Bezdrôtové spúšťanie vysávača je k dispozícii. Indikátor sa automaticky vypne, keď stav nečinnosti trvá 2 hodiny.
				Keď je nástroj v prevádzke.	Bezdrôtové spúšťanie vysávača je k dispozícii a nástroj je v prevádzke.
Registrácia nástroja	Zelená			20 sekúnd	Pripravené na registráciu nástroja. Čaká sa na registráciu v rámci vysávača.
				2 sekundy	Registrácia nástroja sa ukončila. Indikátor bezdrôtového spúšťania začne blikať modrou farbou.
Zrušenie registrácie nástroja	Červená			20 sekúnd	Pripravené na zrušenie registrácie nástroja. Čaká sa na zrušenie v rámci vysávača.
				2 sekundy	Zrušenie registrácie nástroja sa ukončilo. Indikátor bezdrôtového spúšťania začne blikať modrou farbou.
Iné	Červená			3 sekundy	Bezdrôtová jednotka sa napája a aktivuje sa funkcia bezdrôtového spúšťania.
	Nesvieti	-		-	Bezdrôtové spúšťanie vysávača sa zastavilo.

Zrušenie registrácie nástroja v systéme vysávača

Pri rušení registrácie nástroja v rámci vysávača vykonajte nasledujúci postup.

1. Vložte akumulátory do vysávača a nástroja.
2. Prepínač pohotovostného režimu vysávača nastavte do polohy „AUTO“.

► Obr.54: 1. Prepínač pohotovostného režimu

3. Na 6 sekúnd stlačte tlačidlo bezdrôtového spúšťania na vysávači. Indikátor bezdrôtového spúšťania bliká zelenou farbou a potom sa farba zmení na červenú. Neskôr rovnakým spôsobom stlačte tlačidlo bezdrôtového spúšťania nástroja.

► Obr.55: 1. Tlačidlo bezdrôtového spúšťania 2. Indikátor bezdrôtového spúšťania

Po úspešnom vykonaní zrušenia sa indikátory bezdrôtového spúšťania na 2 sekundy rozsvietia načerveno a potom začnú blikať modrou farbou.

POZNÁMKA: Indikátory bezdrôtového spúšťania prestanú blikať načerveno po uplynutí 20 sekúnd. Tlačidlo bezdrôtového spúšťania na nástroji držte, kým indikátor bezdrôtového spúšťania vysávača bliká. Ak indikátor bezdrôtového spúšťania neblinká načerveno, znova krátko podržte stlačené tlačidlo bezdrôtového spúšťania.

Riešenie problémov funkcie bezdrôtového spúšťania

Pred požiadanim o vykonanie opravy najprv vykonajte vlastnú kontrolu. Ak zistíte problém, ktorý nie je vysvetlený v návode, nepokúšajte sa nástroj rozoberať. Namiesto toho požiadajte o opravu autorizované servisné strediská spoločnosti Makita, ktoré používajú len náhradné diely značky Makita.

Chybný stav	Predpokladaná príčina (porucha)	Náprava
Indikátor bezdrôtového spúšťania nesvieti/nebliká.	V nástroji nie je nainštalovaná bezdrôtová jednotka. Bezdrôtová jednotka v nástroji je nesprávne nainštalovaná.	Bezdrôtovú jednotku nainštalujte správne.
	Konektor bezdrôtovej jednotky a/alebo zásuvka je špinavá.	Jemne zotrite prach z konektora bezdrôtovej jednotky a očistite zásuvku.
	Tlačidlo bezdrôtového spúšťania na nástroji nebolo stlačené.	Krátko stlačte tlačidlo bezdrôtového spúšťania nástroja.
	Prepínač pohotovostného režimu vysávača nie je nastavený do polohy „AUTO“.	Prepínač pohotovostného režimu vysávača nastavte do polohy „AUTO“.
	Bez prívodu elektrickej energie	Obnovte napájanie nástroja a vysávača.
Nemožno úspešne dokončiť registráciu nástroja/zrušenie registrácie nástroja.	V nástroji nie je nainštalovaná bezdrôtová jednotka. Bezdrôtová jednotka v nástroji je nesprávne nainštalovaná.	Bezdrôtovú jednotku nainštalujte správne.
	Konektor bezdrôtovej jednotky a/alebo zásuvka je špinavá.	Jemne zotrite prach z konektora bezdrôtovej jednotky a očistite zásuvku.
	Prepínač pohotovostného režimu vysávača nie je nastavený do polohy „AUTO“.	Prepínač pohotovostného režimu vysávača nastavte do polohy „AUTO“.
	Bez prívodu elektrickej energie	Obnovte napájanie nástroja a vysávača.
	Nesprávna funkcia	Krátko stlačte tlačidlo bezdrôtového spúšťania a znova vykonajte postup registrácie/zrušenia registrácie.
	Nástroj a vysávač sú vzdialené od seba (mimo dosahu vysielania).	Nástroj a vysávač priblížte k sebe. Maximálny dosah vysielania je približne 10 m, za určitých okolností sa však môže meniť.
	Pred dokončením registrácie nástroja/zrušenia registrácie nástroja: – spúšťač spínač nástroja bol poľahnutý alebo – vysávač bol zapnutý vypínačom.	Krátko stlačte tlačidlo bezdrôtového spúšťania a znova vykonajte postup registrácie/zrušenia registrácie.
	Proces registrácie nástrojov v rámci nástroja alebo vysávača sa neukončil.	Procesy registrácie v rámci nástroja aj vysávača vykonajte súčasne.
	Rušenie rádiového signálu inými spotrebičmi vytvára rádiové vlny vysokej intenzity.	Nástroj a vysávač udržuje v dostatočnej vzdialenosti od zariadení Wi-Fi a mikrovlnných rúr.
	Po stlačení spínača nástroja sa vysávač nespustí.	V nástroji nie je nainštalovaná bezdrôtová jednotka. Bezdrôtová jednotka v nástroji je nesprávne nainštalovaná.
Konektor bezdrôtovej jednotky a/alebo zásuvka je špinavá.		Jemne zotrite prach z konektora bezdrôtovej jednotky a očistite zásuvku.
Tlačidlo bezdrôtového spúšťania na nástroji nebolo stlačené.		Krátko stlačte tlačidlo bezdrôtového spúšťania a ubezpečte sa, že indikátor bezdrôtového spúšťania bliká modrou farbou.
Prepínač pohotovostného režimu vysávača nie je nastavený do polohy „AUTO“.		Prepínač pohotovostného režimu vysávača nastavte do polohy „AUTO“.
V rámci vysávača je zaregistrovaných viac než 10 nástrojov.		Znova vykonajte registráciu nástroja. V prípade registrácie viac než 10 nástrojov v rámci vysávača sa najskôr zaregistrovaný nástroj automaticky zruší.
Vysávač vymazal registrácie všetkých nástrojov.		Znova vykonajte registráciu nástroja.
Bez prívodu elektrickej energie		Obnovte napájanie nástroja a vysávača.
Nástroj a vysávač sú vzdialené od seba (mimo dosahu vysielania).		Nástroj a vysávač priblížte k sebe. Maximálny dosah vysielania je približne 10 m, za určitých okolností sa však môže meniť.
Rušenie rádiového signálu inými spotrebičmi vytvára rádiové vlny vysokej intenzity.		Nástroj a vysávač udržuje v dostatočnej vzdialenosti od zariadení Wi-Fi a mikrovlnných rúr.
Vysávač je spustený, hoci nedošlo k potiahnutiu spúšťacieho spínača.		Bezdrôtové spúšťanie vysávača využívajú iní používatelia prostredníctvom svojich nástrojov.

ÚDRŽBA

⚠ POZOR: Pred vykonaním kontroly alebo údržby vždy skontrolujte, či je nástroj vypnutý a akumulátor je vybratý.

UPOZORNENIE: Nepoužívajte benzín, riedidlo, alkohol ani podobné látky. Mohlo by to spôsobiť zmenu farby, deformácie alebo praskliny.

Ak chcete udržať BEZPEČNOSŤ a BEZPORUCHOVOSŤ výrobku, prenechajte opravy, údržbu a nastavenie na autorizované alebo továrenské servisné centrá Makita, ktoré používajú len náhradné diely značky Makita.

Výmena filtra nádoby na prach

Voliteľné príslušenstvo

1. Ak chcete vybrať nádobu na prach, zatlačte nadol uzatváraciu páčku nádoby na prach.

► **Obr.56:** 1. Uzatváracia páčka

2. Nadvihnite zaisťovaciu západku mierne smerom von a otvorte kryt nádoby na prach.

► **Obr.57:** 1. Kryt nádoby na prach 2. Zaisťovacia západka

3. Vložte plochý skrutkovač medzi puzdro filtra a kryt nádoby na prach, ako vidno na obrázku. Zatlačte bočné steny puzdra filtra dovnútra a pomocou plochého skrutkovača zdvihnite a oddelte puzdro filtra.

► **Obr.58:** 1. Plochý skrutkovač 2. Puzdro filtra 3. Kryt nádoby na prach

4. Filter vytačte z puzdra filtra, ako vidno na obrázku.

► **Obr.59:** 1. Filter 2. Puzdro filtra

5. Do puzdra filtra vložte nový filter. Umiestnite puzdro filtra späť na nádobu na prach tak, aby vodiaci výčnelok na puzdre filtra bol zarovnaný s drážkou v nádobe na prach.

► **Obr.60:** 1. Vodiaci výčnelok 2. Drážka

6. Zatvorte kryt nádoby na prach a namontujte ju späť na systém na zber prachu.

Výmena tesniaceho veka

Voliteľné príslušenstvo

Tesniace veko vymieňajte v pravidelných intervaloch, pretože opotrebované alebo poškodené tesniace veko môže ovplyvniť výkon sania.

1. Vložte plochý skrutkovač do jedného z uvoľňovacích otvorov umiestnených na bočných stranách hlavice hubice tak, aby jeho ploché strany boli vo zvislej polohe. Naklonením plochého skrutkovača pod určitým uhlom stlačte a vysuňte kockatý hák tesniaceho veka z lisovanej zásuvky. Potom odlepte gumené okraje tesniaceho veka z lemov otvoru hlavice hubice.

► **Obr.61:** 1. Tesniace veko 2. Kockatý hák 3. Uvoľňovací otvor 4. Hlavica hubice

2. Umiestnite jeden z kockatých hákov obnoveného tesniaceho veka do lisovanej zásuvky v hlavici hubice tak, aby zapustená plocha tesniaceho veka bola otočená dopredu.

► **Obr.62:** 1. Kockaté háky 2. Zásuvky 3. Tesniace veko 4. Zapustená plocha

3. Vložte druhý hák do zásuvky na opačnej strane hlavice hubice a súčasne upravujte polohu tesniaceho veka tak, aby bolo správne nasadené na hlavici hubice.

► **Obr.63:** 1. Tesniace veko 2. Kockatý hák 3. Zásuvka 4. Hlavica hubice 5. Lemy

4. Opatrne nasadte gumené okraje tesniaceho veka na lemy otvoru hlavice hubice odspodu nahor.

► **Obr.64:** 1. Gumené okraje 2. Tesniace veko 3. Hlavica hubice

VOLITELNÉ PRÍSLUŠENSTVO

⚠ POZOR: Pre váš nástroj Makita, opísaný v tomto návode, doporučujeme používať toto príslušenstvo či nástavcov môže hroziť nebezpečenstvo zranenia osôb. Príslušenstvo a nástavce sa môžu používať len na účely pre ne stanovené.

Ak potrebujete bližšie informácie týkajúce sa tohoto príslušenstva, obráťte sa na vaše miestne servisné stredisko firmy Makita.

- Vrtáky so spekaným karbidom (vrtáky so spekaným karbidom SDS-Plus)
- Jadrová korunka
- Vrtací hrot
- Diamantová jadrová korunka
- Plochý sekáč
- Sekacie dláto
- Dláto na drážky
- Súprava skľučovadiel (adaptér skľučovadla/skľučovadlo)
- Vazelína na upínacie stopky vrtákov
- Hĺbkomer
- Ofukovací balónik
- Prachový kryt
- Súprava prachových krytov
- Súprava hákov
- Súprava nádob na prach
- Súprava filtrov
- Spojka
- Systém na zber prachu
- Bezdrôtová jednotka
- Ochranné okuliare
- Originálna batéria a nabíjačka Makita

POZNÁMKA: Niektoré položky zo zoznamu môžu byť súčasťou balenia nástrojov vo forme štandardného príslušenstva. Rozsah týchto položiek môže byť v každej krajine odlišný.

SPECIFIKACE

Model:		HR007G
Výkony	Beton	28 mm
	Vrtná korunka	54 mm
	Diamantová jádrová vrtná korunka (suchý typ)	65 mm
	Ocel	13 mm
	Dřevo	32 mm
Otáčky bez zatížení		0 – 980 min ⁻¹
Počet přiklepů za minutu		0 – 5 000 min ⁻¹
Jmenovité napětí		36 V – 40 V DC max
Celková délka	s BL4025	458 mm
	s BL4040	473 mm
Čistá hmotnost		3,8 – 4,8 kg

Volitelné příslušenství

Model:		DX15
Sací výkon		290 l/min
Provozní zdvih		Až 190 mm
Vhodný vrták		Až 260 mm
Čistá hmotnost		1,3 kg

- Vzhledem k neustálému výzkumu a vývoji zde uvedené technické údaje podléhají změnám bez upozornění.
- Specifikace se mohou pro různé země lišit.
- Hmotnost se může lišit v závislosti na nástavcích a přídatných zařízeních, včetně akumulátoru. Nejlehčí a nejtěžší kombinace, dle EPTA-Procedure 01/2014, jsou uvedeny v tabulce níže.

Použitelný akumulátor a nabíječka

Akumulátor	BL4020* / BL4025* / BL4040* / BL4050F * : Doporučený akumulátor
Nabíječka	DC40RA / DC40RB / DC40RC

- V závislosti na regionu vašeho bydliště nemusí být některé akumulátory a nabíječky k dispozici.

VAROVÁNÍ: Používejte pouze výše uvedené akumulátory a nabíječky. Použití jiných akumulátorů a nabíječek může způsobit zranění a/nebo požár.

Doporučený drátový zdroj napájení

Přenosný akumulátor	PDC01 / PDC1200
---------------------	-----------------

- V závislosti na regionu vašeho bydliště nemusí být drátové zdroje napájení uvedené výše k dispozici.
- Než začnete používat drátový zdroj napájení, přečtěte si pokyny a varovné symboly na nich.

Účel použití

Nástroj je určen k přiklepovému vrtní a běžnému vrtní do cihel, betonu a kamene a k sekání. Kromě toho je vhodný k bezpřiklepovému vrtní do dřeva, kovů, keramických materiálů a plastů.

Hlučnost

Typická vážená hladina hluku (A) určená podle normy EN60745-2-6:

Model HR007G

Hladina akustického tlaku (L_{pA}): 94 dB(A)
Hladina akustického výkonu (L_{WA}): 105 dB (A)
Nejistota (K): 3 dB(A)

Model HR007G s DX15

Hladina akustického tlaku (L_{pA}): 93 dB (A)
Hladina akustického výkonu (L_{WA}): 104 dB (A)
Nejistota (K): 3 dB (A)

POZNÁMKA: Celková(é) hodnota(y) emisí hluku byla(y) změněna(y) v souladu se standardní zkušební metodou a dá se použít k porovnání nářadí mezi sebou.

POZNÁMKA: Hodnotu(y) deklarovaných emisí hluku lze také použít k předběžnému posouzení míry expozice vibracím.

VAROVÁNÍ: Použijte ochranu sluchu.

VAROVÁNÍ: Emise hluku se při používání elektrického nářadí ve skutečnosti mohou od deklarované(y) hodnot(y) lišit v závislosti na způsobech použití nářadí.

VAROVÁNÍ: Nezapomeňte stanovit bezpečnostní opatření na ochranu obsluhy podle odhadu expozice ve skutečných podmínkách použití. (Vezměte přitom v úvahu všechny části provozního cyklu, tj. kromě doby zátěže například doby, kdy je nářadí vypnuté a kdy běží naprázdno.)

Vibrace

Následující tabulka zobrazuje celkovou hodnotu vibrací (vektorový součet tří os) určenou podle příslušné normy.

Pracovní režim	Emise vibrací	Nejistota (K)	Příslušná norma
Příklepové vrtání do betonu ($a_{h, HD}$)	7,5 m/s ²	1,5 m/s ²	EN60745-2-6
Příklepové vrtání do betonu s DX15 ($a_{h, HD}$)	8,1 m/s ²	1,5 m/s ²	EN60745-2-6
Funkce drážkování s boční rukojetí ($a_{h, Chex}$)	8,6 m/s ²	1,5 m/s ²	EN60745-2-6
Vrtání do kovu ($a_{h, D}$)	2,8 m/s ²	1,5 m/s ²	EN60745-2-1

POZNÁMKA: Celková(é) hodnota(y) deklarovaných vibrací byla(y) změněna(y) v souladu se standardní zkušební metodou a dá se použít k porovnání nářadí mezi sebou.

POZNÁMKA: Celkovou(é) hodnotu(y) deklarovaných vibrací lze také použít k předběžnému posouzení míry expozice vibracím.

VAROVÁNÍ: Emise vibrací se při používání elektrického nářadí ve skutečnosti mohou od deklarované(y) hodnot(y) lišit v závislosti na způsobech použití nářadí.

VAROVÁNÍ: Nezapomeňte stanovit bezpečnostní opatření na ochranu obsluhy podle odhadu expozice ve skutečných podmínkách použití. (Vezměte přitom v úvahu všechny části provozního cyklu, tj. kromě doby zátěže například doby, kdy je nářadí vypnuté a kdy běží naprázdno.)

Prohlášení ES o shodě

Pouze pro evropské země

Prohlášení ES o shodě je obsaženo v Příloze A tohoto návodu k obsluze.

BEZPEČNOSTNÍ VÝSTRAHY

Obecná bezpečnostní upozornění k elektrickému nářadí

VAROVÁNÍ: Přečtěte si všechny bezpečnostní výstrahy i pokyny a prohlédněte si ilustrace a specifikace dodané k tomuto elektrickému nářadí. Nedodržení všech níže uvedených pokynů může vést k úrazu elektrickým proudem, požáru či vážnému zranění.

Všechna upozornění a pokyny si uschovejte pro budoucí potřebu.

Pojem „elektrické nářadí“ v upozorněních označuje elektrické nářadí, které se zapojuje do elektrické sítě, nebo elektrické nářadí využívající akumulátory.

BEZPEČNOSTNÍ VAROVÁNÍ K AKUMULÁTOROVÉMU VRTACÍMU A SEKAČÍMU KLDIVU

- Použijte ochranu sluchu.** Nadměrný hluk může způsobit ztrátu sluchu.
- Použijte pomocné držadlo (držadla), pokud je k nářadí dodáno.** Při ztrátě kontroly nad nářadím může dojít ke zranění.
- Při práci v místech, kde může dojít ke kontaktu nástrojů z příslušenství se skrytým elektrickým vedením, držte elektrické nářadí za izolované části držadel.** Nástroje z příslušenství mohou při kontaktu s vodičem pod napětím přenést proud do nechráněných částí nářadí a obsluha může utrpět úraz elektrickým proudem.
- Použijte tvrdou ochranu hlavy (bezpečnostní přílbu), ochranné brýle a/nebo obličejový štít.** Běžné dioptrické nebo sluneční brýle NEJSOU ochranné brýle. Velice se také doporučuje používat protiprachovou masku a silné polstrované rukavice.
- Před zahájením provozu se přesvědčte, zda je uchycen pracovní nástroj.**
- Při běžném provozu nástroj vytváří vibrace.** Šrouby se mohou snadno uvolnit a způsobit poruchu nebo nehodu. Před použitím pečlivě zkontrolujte utažení šroubů.
- Za studeného počasí nebo pokud nástroj delší dobu používán nechejte nástroj na chvíli zahřívát provozováním bez zatížení.** Tímto dojde k zahřátí maziva. Bez řádného zahřátí je použití funkce kladiva obtížné.
- Vždy zaujměte stabilní postoj.** Při práci s nářadím ve výškách dbejte, aby se pod vámi nepohybovaly žádné osoby.
- Držte nářadí pevně oběma rukama.**
- Udržujte ruce mimo pohyblivé díly.**
- Nenechávejte nářadí běžet bez dozoru.** S nářadím pracujte, jen když je držíte v rukou.
- Nemiňte nástrojem na žádnou osobu v místě provádění práce.** Pracovní nástroj se může uvolnit a způsobit vážné zranění.

13. Bezprostředně po ukončení práce se nedotýkejte nástroje, dílů blízko nástroje ani obrobku; mohou dosahovat velmi vysokých teplot a popálit pokožku.
14. Některé materiály obsahují chemikálie, které mohou být jedovaté. Dávejte pozor, abyste nevdechovali prach nebo nedocházelo ke kontaktu s kůží. Dodržujte bezpečnostní pokyny dodavatele materiálu.
15. Před předáním nářadí jiné osobě se vždy přesvědčte, zda je nářadí vypnuté a je vyjmutý akumulátor a bit/vrták.
16. Před použitím se ujistěte, že v pracovní oblasti nejsou žádné zakopaně předměty jako potrubí na elektrické vedení, vodu či plyn. Jinak se jich může vrták či sekáč dotknout, což může mít za následek úraz elektrickým proudem, únik vody či plynu.
17. Nářadí zbytečně nespouštějte naprázdno.

TYTO POKYNY USCHOVEJTE.

VAROVÁNÍ: NEDOVOLTE, aby pohodlnost nebo pocit znalosti výrobku (získaný na základě předchozího použití) vedl k zanedbání dodržování bezpečnostních pravidel platných pro tento výrobek. **NESPRÁVNÉ POUŽÍVÁNÍ** či nedodržení bezpečnostních pravidel uvedených v tomto návodu k obsluze může způsobit vážné zranění.

Důležitá bezpečnostní upozornění pro akumulátor

1. Před použitím akumulátoru si přečtěte všechny pokyny a varovné symboly na (1) nabíječce, (2) akumulátoru a (3) výrobku využívajícím akumulátor.
2. Nerozebírejte akumulátor ani do něj nijak nezasahujte. Může dojít k požáru, nadměrnému zahřátí nebo výbuchu.
3. Pokud se příliš zkrátí provozní doba akumulátoru, přerušte okamžitě práci. V opačném případě existuje riziko přehřívání, popálení nebo dokonce výbuchu.
4. Budou-li vaše oči zasaženy elektrolytem, vypláchněte je čistou vodou a okamžitě vyhledejte lékařskou pomoc. Může dojít ke ztrátě zraku.
5. Akumulátor nezkratujte:
 - (1) Nedotýkejte se svorek žádným vodivým materiálem.
 - (2) Neskladujte akumulátor v nádobě s jinými kovovými předměty, jako jsou hřebíky, mince, apod.
 - (3) Nevystavujte akumulátor vodě a dešti. Zkrat akumulátoru může způsobit velký průtok proudu, přehřátí, možné popálení a dokonce i poruchu.
6. Neskladujte a nepoužívejte nářadí a akumulátor na místech, kde může teplota překročit 50 °C (122 °F).
7. Nespalujte akumulátor, ani když je vážně poškozen nebo úplně opotřeben. Akumulátor může v ohni vybuchnout.
8. Akumulátor nesmí být proražen hřebíkem, řezán, drcen, házen či upuštěn na zem, ani nesmí dojít k nárazu tvrdého předmětu do něj. Taková situace může způsobit požár, nadměrné zahřátí či výbuch.

9. **Nepoužívejte poškozené akumulátory.**
10. **Obsazené lithium-iontové akumulátory podléhají právním požadavkům na bezpečné zboží.** V případě komerční přepravy například externími dopravci je třeba dodržet zvláštní požadavky na balení a značení. Pro přepravu zboží k přepravě je nutná konzultace s odborníkem na nebezpečný materiál. Dodržujte také případně podrobnější národní předpisy. Odkryté kontakty přelepte izolační páskou či jinak zakryjte a akumulátory zabalte tak, aby se v balení nemohly pohybovat.
11. **Při likvidaci akumulátoru jej vyjměte z nářadí a zlikvidujte jej na bezpečném místě. Při likvidaci akumulátoru postupujte podle místních předpisů.**
12. **Akumulátor používejte pouze s výrobky specifikovanými společností Makita.** Instalace akumulátoru do nevhovujících výrobků může způsobit požár, nadměrné zahřívání, explozi nebo únik elektrolytu.
13. **Pokud nářadí delší dobu nepoužíváte, je nutné z něj akumulátor vyjmout.**
14. **Během a po použití se může akumulátor zahřát, což může způsobit popáleniny nebo podráždění. Při manipulaci s horkými akumulátory dávejte pozor.**
15. **Nedotýkejte se koncovky na nářadí ihned po použití, protože ta může být horká a způsobit popáleniny.**
16. **Do koncovek, otvorů a zdířek na akumulátoru se nesmí dostat piliny, prach nebo jiné nečistoty.** To může způsobit zahřátí, vznícení, prasknutí a poruchu nářadí nebo akumulátoru, což může vést k popáleninám nebo zranění osob.
17. **Jestliže nářadí není zkonstruováno tak, že jej lze používat v blízkosti vysokého elektrického napětí, nepoužívejte akumulátor poblíž vedení s vysokým elektrickým napětím.** Mohlo by tím dojít k poruše či selhání nářadí či akumulátoru.
18. **Akumulátor uchovávejte mimo dosah dětí.**

TYTO POKYNY USCHOVEJTE.

UPOZORNĚNÍ: Používejte pouze originální akumulátory Makita. Používání neoriginálních nebo upravených akumulátorů může způsobit explozi akumulátoru a následný požár, zranění a jiné poškození. Zaniká tím také záruka společnosti Makita na nářadí a nabíječku Makita.

Typy k zajištění maximální životnosti akumulátoru

1. Akumulátor nabíjete dříve, než dojde k jeho úplnému vybití. Pokud si povšimnete sníženého výkonu nářadí, vždy jej zastavte a dobijte akumulátor.
2. Nikdy nenabíjete úplně nabitý akumulátor. Přebíjení zkracuje životnost akumulátoru.
3. Akumulátor dobíjete při pokojové teplotě od 10 °C do 40 °C (50 °F až 104 °F). Před nabíjením nechejte horký akumulátor zchladnout.
4. Když není akumulátor používán, vyjměte ho z nářadí či nabíječky.
5. Pokud se akumulátor delší dobu nepoužívá (déle než šest měsíců), je nutno jej dobít.

Důležité bezpečnostní pokyny pro bezdrátovou jednotku

1. Bezdrátovou jednotku nerozebírejte ani do ní nezasahujte.
2. Bezdrátovou jednotku uchovávejte mimo dosah malých dětí. Pokud by nedopatřením došlo ke spolknutí, okamžitě vyhledejte lékařskou pomoc.
3. Bezdrátovou jednotku používejte pouze s nástroji Makita.
4. Bezdrátovou jednotku nevystavujte dešti a vlhku.
5. Bezdrátovou jednotku nepoužívejte na místech, kde teplota překračuje 50 °C.
6. Bezdrátovou jednotku neprovodíte na místech, kde se nachází lékařské přístroje, jako je kardiostimulátor, nebo v jejich blízkosti.
7. Neprovodíte bezdrátovou jednotku na místech, kde se nachází automatizovaná zařízení, nebo v jejich blízkosti. V případě provozu může u automatizovaných zařízení docházet k poruchám nebo chybám.
8. Nepoužívejte bezdrátovou jednotku v místech se zvýšenou teplotou nebo na místech, kde se může generovat statická elektřina nebo elektromagnetický šum.
9. Bezdrátová jednotka může vytvářet elektromagnetická pole (EMP), která ale nejsou pro uživatele škodlivá.
10. Bezdrátová jednotka je přesný přístroj. Dávejte pozor, abyste bezdrátovou jednotku neupustili ani s ní nenaráželi.
11. Nedotýkejte se svorek bezdrátové jednotky holými rukama nebo kovovými materiály.
12. Při instalaci bezdrátové jednotky vždy vyjměte akumulátor výrobku.
13. Při otevření krytu drážky dejte pozor na místo, ze kterého se může dostat prach a voda do drážky. Udržujte vstupní část drážky stále čistou.
14. Bezdrátovou jednotku vždy vkládejte ve správném směru.
15. Netlačte na tlačítko bezdrátové aktivace na bezdrátové jednotce příliš silně a netlačte na něj předměty s ostrými hranami.
16. Při používání vždy zavřete kryt drážky.
17. Neodpojujte bezdrátovou jednotku z drážky, zatímco je nástroj napájen. V opačném případě hrozí poškození bezdrátové jednotky.
18. Neodstraňujte nálepkou na bezdrátové jednotce.
19. Nelepte na bezdrátovou jednotku žádné nálepky.
20. Neponechávejte bezdrátovou jednotku na místě, kde se může generovat statická elektřina nebo elektronický šum.
21. Nenechávejte bezdrátovou jednotku na místech, kde by mohla být vystavena velkému teplu, například v autě na slunci.
22. Neponechávejte bezdrátovou jednotku v prašném prostředí nebo na místech, kde se může působit korozivní plyn.

23. Náhlé změny teploty mohou způsobit navlhnutí bezdrátové jednotky. Bezdrátovou jednotku nepoužívejte, dokud nebude vlhkost kompletně vysušena.
24. Při čištění bezdrátové jednotky ji opatrně otřete suchým jemným hadříkem. Nepoužívejte benzín, ředidlo, vodivé mazivo a podobně.
25. Při uskladnění bezdrátové jednotky ji uchovávejte v dodávaném pouzdru nebo antistatickém obalu.
26. Nevkládejte do drážky nástroje jiná zařízení, než je bezdrátová jednotka Makita.
27. Nepoužívejte nástroj, pokud je kryt drážky poškozen. Do drážky se může dostat voda, prach a nečistoty a způsobit poruchu.
28. Za kryt drážky netahejte ani se ho nesazte zkroutit více, než je potřeba. Uvolněný kryt znovu připevněte.
29. Pokud se kryt drážky ztratí nebo poškodí, nahraďte ho.

TYTO POKYNY USCHOVEJTE.

POPIS FUNKCÍ

⚠ UPOZORNĚNÍ: Před nastavováním nářadí nebo kontrolou jeho funkce se vždy přesvědčte, zda je vypnuté a je vyjmutý akumulátor.

Nasazení a sejmутí akumulátoru

⚠ UPOZORNĚNÍ: Před nasazením či sejmутím akumulátoru nářadí vždy vypněte.

⚠ UPOZORNĚNÍ: Při nasazování či snímání akumulátoru pevně držte nářadí i akumulátor. V opačném případě vám může nářadí nebo akumulátor vyklouznout z rukou a mohlo by dojít k jejich poškození či ke zranění.

► Obr.1: 1. Červený indikátor 2. Tlačítko 3. Akumulátor

Chcete-li akumulátor sejmout, vysuňte jej se současným přesunutím tlačítka na přední straně akumulátoru.

Při nasazování akumulátoru vyrovnejte jazýček na bloku akumulátoru s drážkou v krytu a zasuňte akumulátor na místo. Akumulátor zasuňte na doraz, až zacvakne na své místo. Není-li zcela zajištěn, uvidíte červený indikátor dle obrázku.

⚠ UPOZORNĚNÍ: Akumulátor zasunujte vždy zcela tak, aby nebyl červený indikátor vidět. Jinak by mohl akumulátor ze zařízení vypadnout a způsobit zranění obsluze či přihlížejícím osobám.

⚠ UPOZORNĚNÍ: Akumulátor nenasazujte násilím. Nelze-li akumulátor zasunout snadno, nevkládejte jej správně.

Indikace zbývající kapacity akumulátoru

Stisknutím tlačítka kontroly na akumulátoru zjistíte zbývající kapacitu akumulátoru. Kontrolky indikátoru se na několik sekund rozsvítí.

► **Obr.2:** 1. Kontrolky 2. Tlačítko kontroly

Kontrolky			Zbývající kapacita
Svítil	Nesvítil	Bliká	
■ ■ ■ ■			75 % až 100 %
■ ■ ■ □			50 % až 75 %
■ ■ □ □			25 % až 50 %
■ □ □ □			0 % až 25 %
▣ □ □ □			Nabijte akumulátor.
■ ■ □ □	↑ ↓	□ ■	Došlo pravděpodobně k poruše akumulátoru.

POZNÁMKA: Kapacita udávaná indikátorem se může mírně lišit od skutečné kapacity v závislosti na podmínkách používání a teplotě prostředí.

POZNÁMKA: První kontrolka (zcela vlevo) bude blikat, když je systém ochrany akumulátoru v provozu.

Systém ochrany nářadí a akumulátoru

Nářadí je vybaveno systémem ochrany nářadí a akumulátoru. Tento systém automaticky přeruší napájení motoru, aby se prodloužila životnost nářadí a akumulátoru. Budou-li nářadí nebo akumulátor vystaveny některé z níže uvedených podmínek, nářadí se během provozu automaticky vypne:

Ochrana proti přetížení

Pokud se s akumulátorem pracuje způsobem vyvolávajícím mimořádně vysoký odběr proudu, nářadí se automaticky a bez jakékoli signalizace vypne. V takové situaci nářadí vypnete a ukončíte činnost, při níž došlo k přetížení nářadí. Potom nářadí zapnete a obnovte činnost.

Ochrana proti přehřátí

Když se nářadí či akumulátor přehřeje, automaticky se vypne. V takovém případě nechte nářadí a akumulátor před opětovným zapnutím vychladnout.

POZNÁMKA: Při přehřátí nářadí bude světlo blikat.

Ochrana proti přílišnému vybití

V případě nedostačující kapacity akumulátoru se nářadí automaticky vypne. V takovém případě vyjměte akumulátor z nářadí a nabijte jej.

Ochrana proti jiným závadám

Ochranný systém je také navržen i pro jiné příčiny, které by mohly nářadí poškodit, a umožňuje automatické zastavení nářadí. Když se nářadí dočasně pozastaví nebo přestane pracovat, proveďte veškeré následující kroky k odstranění příčiny.

1. Restartujte nářadí jeho vypnutím a opětovným zapnutím.
2. Nabijte akumulátor(y) nebo jej (je) vyměňte za nabitý (nabité).
3. Nechte nářadí a akumulátor(y) vychladnout.

Pokud se obnovou ochranného systému nedosáhne žádného zlepšení, obraťte se na místní servisní středisko Makita.

Používání spouště

▲VAROVÁNÍ: Před vložením akumulátoru do nářadí vždy zkontrolujte správnou funkci spouště, a zda se po uvolnění vrací do vypnuté polohy.

► **Obr.3:** 1. Spoušť

Chcete-li nářadí uvést do chodu, stačí stisknout spoušť. Otáčky nářadí se zvyšují zvyšováním tlaku na spoušť. Chcete-li nářadí vypnout, uvolněte spoušť.

Rozsvícení předního světla

► **Obr.4:** 1. Světlo

▲UPOZORNĚNÍ: Nedívejte přímo do světla nebo jeho zdroje.

Při stisknutí spouště se rozsvítí světlo. Světlo svítí po celou dobu stisknutí spouště. Světlo zhasne přibližně 10 sekund po uvolnění spouště.

▲UPOZORNĚNÍ: Jestliže světlo zhasne poté, co několik sekund blikalo, technologie aktivního snímání zpětné vazby nefunguje správně. Požádejte o opravu v místním servisním středisku firmy Makita.

POZNÁMKA: K očištění nečistot ze skla světla použijte suchý hadřík. Dbejte, abyste sklo světla nepoškrábali. Mohlo by dojít ke snížení svítivosti.

POZNÁMKA: Přední světlo nelze používat, když je v nářadí nainstalován systém odsávání prachu (volitelné příslušenství).

Přepínání směru otáčení

► **Obr.5:** 1. Přepínací páčka směru otáčení

▲UPOZORNĚNÍ: Před zahájením provozu vždy zkontrolujte nastavený směr otáčení.

▲UPOZORNĚNÍ: Směr otáčení přepínejte až po úplném zastavení nářadí. Provedete-li změnu směru otáčení před zastavením nářadí, může dojít k jeho poškození.

▲UPOZORNĚNÍ: Pokud nářadí nepoužíváte, vždy přesuňte přepínací páčku směru otáčení do neutrální polohy.


Toto nářadí je vybaveno přepínačem směru otáčení. Stisknutím přepínací páčky směru otáčení ze strany A se nástroj otáčí ve směru hodinových ručiček, zatímco při stisknutí ze strany B proti směru hodinových ručiček. Je-li přepínací páčka směru otáčení v neutrální poloze, nelze stisknout spoušť nářadí.

Výběr provozního režimu

POZOR: Neotáčejte voličem provozního režimu, je-li nářadí spuštěné. Dojde k poškození nástroje.

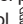
POZOR: Má-li být zamezeno rychlému opotřebení mechanismu přepínání režimu, dbejte, aby byl knoflík přepínání provozního režimu vždy řádně umístěn do jedné ze tří poloh provozního režimu.

Otáčení s přiklepem

Pro vrtání v betonu, zdivu apod. otočte volič provozního režimu na symbol  a současně držte stisknuté uvolňovací tlačítko na knoflíku. Použijte vrták s hrotem z karbidu wolframu (volitelné příslušenství).

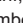
► **Obr.6:** 1. Otáčení s přiklepem 2. Volič provozního režimu 3. Uvolňovací tlačítko

Pouze otáčení

Při vrtání do dřeva, kovu či plastů otočte voličem provozního režimu na symbol  a současně držte stisknuté uvolňovací tlačítko na knoflíku. Použijte vrták se šroubovicí nebo vrták do dřeva.

► **Obr.7:** 1. Pouze otáčení

Pouze přiklep

Při sekání, otloukání, nebo bourání otočte voličem provozního režimu na symbol  a současně držte stisknuté uvolňovací tlačítko na knoflíku. Použijte špičatý sekáč, plochý sekáč, široký sekáč apod.

► **Obr.8:** 1. Pouze přiklep

Hák

Volitelné příslušenství

▲ UPOZORNĚNÍ: Při zavěšování nářadí za hák vždy vyjměte akumulátor.

▲ UPOZORNĚNÍ: Nikdy nástroj nezavěšujte ve výšce nebo na potenciálně nestabilním povrchu.

Háček je vhodný k dočasnému pověšení nářadí.

Před namontováním háku sejměte pryžovou krytku z otvorů pro šrouby v montážní konzole. Nasuňte destičkové podložky pod konzolu a pak utáhněte hák pomocí nasazených šroubů.

► **Obr.9:** 1. Pryžová krytka 2. Montážní konzola 3. Destičkové podložky 4. Háček 5. Šrouby

Chcete-li hák použít, zvedněte rameno háku, až zavakne do otevřené polohy.

Když hák nepoužíváte, vždy jej sklopte do zavřené polohy.

► **Obr.10:** 1. Háček 2. Otevřená poloha 3. Zavřená poloha

► **Obr.11**

Připojování šňůry (upevňovacího pásu) k háku

▲ UPOZORNĚNÍ: Nepoužívejte poškozený hák a šrouby. Před použitím vždy přezkontrolujte poškození, praskliny nebo deformace a zkontrolujte, zda jsou šrouby utažené.

▲ UPOZORNĚNÍ: Ujistěte se, že je hák pevně přimontován pomocí šroubů.

▲ UPOZORNĚNÍ: Během zavěšování nářadí neinstalujte ani neodebírejte žádné příslušenství. Nářadí může spadnout, pokud nejsou šrouby utaženy.

▲ UPOZORNĚNÍ: Vždy používejte zajišťovací karabinu (vícefunkční a šroubovací) a ujistěte se, že je šňůra (upevňovací pás) připojena k části háku s dvojitou smyčkou. Nesprávné připojení může způsobit pád nářadí z háku a následně zranění osob.

Hák je rovněž určen k připojení šňůry (upevňovacího pásu). Nezapomeňte připojit šňůru (upevňovací pás) k části háku s dvojitou smyčkou.

► **Obr.12:** 1. Část háku s dvojitou smyčkou 2. Šňůra (upevňovací pás) 3. Zajišťovací karabina (vícefunkční a šroubovací)

Bezpečnostní výstrahy pro připojování šňůry (upevňovacího pásu) k háku

▲ Bezpečnostní varování specifická pro práce ve výškách

Přečtěte si veškerá bezpečnostní upozornění a všechny pokyny. Zanedbání dodržování upozornění a pokynů může mít za následek vážné zranění.

1. Při práci ve výškách mějte nářadí vždy připravené pomocí upevňovacího pásu či šňůry. Maximální délka šňůry je 2 m. Šňůra (upevňovací pás) nesmí připouštět výšku možného pádu větší než 2 m.
2. Používejte pouze šňůry doporučené pro tento typ nářadí a s nosností minimálně 8,0 kg.
3. Nepřipevňujte šňůru nářadí k čemukoliv na svém těle nebo k pohyblivým předmětům. Upevněte šňůru nářadí k pevnému bodu, který odolá silám při pádu nářadí.
4. Před použitím se ujistěte, že je šňůra správně připravena na obou koncích.
5. Zkontrolujte nářadí a šňůru před každým použitím, zda nejsou poškozené a fungují správně (včetně látky a stehů). Při poškození nebo nesprávné funkci nepoužívejte.
6. Neomotávejte šňůru kolem ostrých nebo drsných hran a zabraňte, aby s nimi přišla do styku.
7. Připojte druhý konec šňůry mimo pracovní oblast tak, aby bylo případné padající nářadí pevně zachyceno.
8. Šňůru připevněte tak, aby se padající nářadí pohybovalo směrem od obsluhy. Upuštěné nářadí se na šňůře zhoupne, což může způsobit zranění nebo ztrátu rovnováhy.

9. **Nepoužívejte poblíž pohyblivých částí nebo běžících strojů.** V opačném případě může vzniknout riziko rozdrčení nebo zachycení.
10. **Nepřenášejte nářadí za nástavec nebo šňůru.**
11. **Nářadí přendávejte z jedné ruky do druhé jen tehdy, jestliže máte dostatečnou rovnováhu.**
12. **Nepřipevňujte šňůru k nářadí takovým způsobem, který brání správné funkci spínačů a pojistek (je-li součástí výbavy).**
13. **Dávejte pozor, abyste se do šňůry nezamotali.**
14. **Nepřiblížujte šňůru k vrtací oblasti nářadí.**
15. **Použijte zajišťovací karabinu (vícefunkční a šroubovací). Nepoužívejte jednočinné pružinové karabiny.**
16. **Upuštěné nářadí musí být označeno a vyřazeno z používání. Musí jej prohlednout společnost Makita nebo autorizované servisní centrum.**

Omezovač točivého momentu

POZOR: Jakmile se aktivuje omezovač točivého momentu, vypněte okamžitě nástroj. Zamezíte tak předčasnému opotřebením nástroje.

POZOR: Pracovní nástroje jako vrtací korunky, jež se v otvorech snadno zaseknou či vzpříčí, jsou pro toto nářadí nevhodné. Důvodem je, že způsobují příliš časté aktivování omezovače točivého momentu.

Omezovač točivého momentu se aktivuje při dosažení určité úrovně točivého momentu. Motor se odpojí od výstupního hřídele. Dojde-li k této situaci, vrták se zastaví.

Elektronické funkce

Nářadí je vybaveno elektronickými funkcemi usnadňujícími provozování.

- Elektrická brzda
Toto nářadí je vybaveno elektrickou brzdou. Jestliže se opakovaně stane, že se nářadí zastaví po uvolnění spouště pomalu, nechejte provést servis nářadí v servisním středisku Makita.
- Regulátor konstantních otáček
Regulátor konstantních otáček zajišťuje stálou rychlost otáčení bez ohledu na úroveň zatížení.
- Technologie aktivního snímání zpětné vazby
Pokud nářadí během provozu kmitá při předem nastaveném zrychlení, motor je nuceně zastaven, aby se snížila zátěž kladená na zápěstí.

POZNÁMKA: Tato funkce nefunguje, jestliže zrychlení nedosáhne předem nastavené hodnoty, když nářadí kmitá.

POZNÁMKA: Jestliže nástavec za předem určeného zrychlení a během sekání, otloukání či bourání kmitá, motor je násilně zastaven. V takovém případě pusťte spoušť a poté opětovným stiskem spouště znovu nastartujte nářadí.

SESTAVENÍ

⚠️ UPOZORNĚNÍ: Před prováděním jakýchkoli prací na nářadí se vždy přesvědčte, zda je vypnuté a je vyjmutý akumulátor.

Boční rukojeť (pomocné držadlo)

⚠️ UPOZORNĚNÍ: Z důvodu bezpečnosti práce vždy používejte boční rukojeť.

⚠️ UPOZORNĚNÍ: Po montáži nebo seřízení boční rukojeti se ujistěte, že je boční rukojeť pevně zajištěna a uchycovací výstupky plně zapadají do polohovacích prohlubní na skříní převodovky.

Chcete-li namontovat boční rukojeť, dodržujte kroky níže.

1. Povolte křídlový šroub na boční rukojeti. Pak namontujte boční rukojeť přes hrdlo zásobníku skříně převodovky.
 - ▶ **Obr.13:** 1. Boční rukojeť 2. Křídlový šroub 3. Hrdlo zásobníku skříně převodovky 4. Uchycovací výstupky 5. Polohovací prohlubeň

Přípevňovací kroužek lze rozšířit stlačením křídlového šroubu dolů tak, aby kroužek snadno a bezpečně zapadl přes hrdlo zásobníku skříně převodovky.

- ▶ **Obr.14:** 1. Křídlový šroub 2. Přípevňovací kroužek
2. Utáhněte křídlový šroub a zajistěte rukojeť v požadovaném úhlu.

Vazelína

Volitelné příslušenství

Před použitím naneste na dřív vrtáku malé množství vazelíny (přibližně 0,5 – 1 g).

Toto promazání sklíčidla zajišťuje hladký provoz a delší provozní životnost.

Nasazení a vyjmutí vrtáku

Před nasazením vrtáku očistěte dřív vrtáku a naneste na něj vazelínu.

- ▶ **Obr.15:** 1. Dřív 2. Vazelína

Umístěte dřív vrtáku do sklíčidla a zasouvejte jej dále do sklíčidla při současném otáčení vrtáku rukou tak, aby dřív dobře dosedl do drážky sklíčidla a kompletně se unpal. Po nasazení vrtáku jej zkuste vytáhnout zpět, aby se ověřilo, že je pevně upnutý.

- ▶ **Obr.16:** 1. Vrták 2. Sklíčidlo

Chcete-li vrták vyjmout, zatlačte kryt sklíčidla úplně dolů a vrták vytáhněte.

- ▶ **Obr.17:** 1. Vrták 2. Kryt sklíčidla

Úhel sekáče (při sekání, otloukání nebo bourání)

Sekáč lze zajistit v požadovaném úhlu. Přepněte volič provozního režimu na symbol O a pak otočte sekáč do požadovaného úhlu.

- ▶ **Obr.18:** 1. Volič provozního režimu 2. Symbol O

Přepněte volič provozního režimu na symbol \uparrow . Zkuste rukou sekáčem otáčet, aby se ověřilo, že je pevně upnutý.

Hloubkový doraz

Hloubkoměr využijete při vrtání otvorů stejné hloubky. Stiskněte a podržte zajišťovací tlačítko a poté vložte do šestihřanného otvoru hloubkoměr. Ujistěte se, že ozubená strana hloubkoměru směřuje k ozubené značce na šestihřanném otvoru.

- **Obr.19:** 1. Hloubkoměr 2. Blokovací tlačítko
3. Šestihřanný otvor 4. Ozubená strana
5. Ozubená značka

Seřídte hloubkoměr pohybem tam a zpět, přitom držte zajišťovací tlačítko. Po seřízení uvolněte zajišťovací tlačítko a zajistíte tím hloubkoměr.

POZNÁMKA: Ujistěte se, že se při nasazování hloubkoměru nedotýká těla nástroje.

Systém odsávání prachu

Volitelné příslušenství

Instalace

1. Vysuňte krytku vzduchového vedení ze skříně motoru, přičemž zvedněte zajišťovací výstupek do odjištěné polohy.

- **Obr.20:** 1. Krytka vzduchového vedení
2. Zajišťovací výstupek

2. Namontujte nářadí na systém odsávání prachu posunutím vodících drážek na spodním povrchu skříně převodovky přes vodící kolejnice na horním povrchu systému odsávání prachu, dokud nezacvaknou na místě.

- **Obr.21:** 1. Vodící drážky 2. Vodící kolejnice
3. Systém odsávání prachu

Demontáž

1. Demontujte nářadí ze systému odsávání prachu vysunutím nástroje při současném stisknutí odjišťovacího tlačítka na systému odsávání prachu.

- **Obr.22:** 1. Systém odsávání prachu 2. Odjišťovací tlačítko

2. Zasuňte krytku vzduchového vedení zpět podél vodících drážek na skříně převodovky, dokud nezacvakne na místě.

- **Obr.23:** 1. Krytka vzduchového vedení 2. Vodící drážky

POZOR: Nezapomeňte nasadit krytku vzduchového vedení zpět na vzduchové vedení po odpojení systému odsávání prachu z nářadí. Pokud je nářadí provozováno bez nasazené krytky vzduchového vedení, může to mít nepříznivý vliv na výkon.

Seřízení pozice hubice u systému odsávání prachu

Zasouvejte a vysouvejte vodítka hubice při současném stisknutí tlačítka nastavení vodítka a pak uvolněte tlačítko přesně v poloze, kde hrot vrtáku leží těsně za předním povrchem hubice.

- **Obr.24:** 1. Vodítko 2. Tlačítko nastavení vodítka
3. Hrot vrtáku 4. Přední povrch hubice

POZNÁMKA: Před seřizováním polohy hubice stisknutím tlačítka nastavení vodítka uvolněte napnuté vodítka hubice a nastavte je volně do plně vysunutých polohy.

Nastavení hloubek vrtání

Hloubku vrtání lze nastavit změnou délky mezi tlačítkem nastavení hloubky a zadním koncem vodítka hubice. Stiskněte a držte stisknuté tlačítko nastavení hloubky a posuňte jej do požadované polohy.

- **Obr.25:** 1. Tlačítko nastavení hloubky 2. Vodítko hubice 3. Hloubky vrtání

Skladování

POZOR: Pokud se po určitou dobu nepoužívá, je nutné vodítko hubice vysunout přibližně o 100 mm z jeho plně zasunutých polohy. Jinak může dojít k poškození hadice vedení předem nainstalované ve vodítku hubice.

- **Obr.26:** 1. Tlačítko nastavení vodítka 2. Přibližně 100 mm

Protiprachová krytka

Volitelné příslušenství

Protiprachová krytka slouží jako prevence spadu prachu na nástroj a pracovníka při vrtání nad hlavou. Protiprachovou krytku nasadíte podle obrázku. Velikost pracovních nástrojů, u kterých lze použít protiprachovou krytku, je následující.

Model	Průměr nástroje
Protiprachová krytka 5	6 mm – 14,5 mm
Protiprachová krytka 9	12 mm – 16 mm

- **Obr.27:** 1. Protiprachová krytka

Sada protiprachových krytek

Volitelné příslušenství

▲ UPOZORNĚNÍ: Před nasazením a sejmutím sady protiprachových krytek vyjměte z nářadí vrták.

Instalace

Nasadíte sadu protiprachových krytek na hrdlo zásobníku skříně převodovky tak, aby byl symbol Δ na protiprachové krytce zarovnan s drážkami v zásobníku. Pak držte připevňovací jednotku sady protiprachových krytek a zatlačte ji na zásobník pevně na místo.

- **Obr.28:** 1. Sada protiprachových krytek
2. Připevňovací jednotka 3. Δ symbol
4. Drážka

POZNÁMKA: Připojujete-li sadu protiprachových krytek k vysavači, před připojením odstraňte protiprachový uzávěr.

- **Obr.29:** 1. Protiprachový uzávěr

Demontáž

Zatlačte kryt sklíčidla úplně dolů a nástavec vytáhněte.

- **Obr.30:** 1. Vrták 2. Kryt sklíčidla

Uchopte připevňovací jednotku sady protiprachových krytek a vytáhněte ji z nářadí.

- **Obr.31:** 1. Připevňovací jednotka

POZNÁMKA: Pokud se krytka ze sady protiprachových krytek uvolní, nasadte ji zpět na původní místo.

1. Odpojte vzduchové manžety od připevňovací jednotky sady protiprachových krytek.
► **Obr.32:** 1. Vzduchová manžeta 2. Připevňovací jednotka
2. Nasadte krytku na místo zpět potišťenou stranou nahoru.
► **Obr.33:** 1. Krytka 2. Potišťená strana 3. Drážky 4. Jazyčky horního otvoru 5. Připevňovací jednotka
3. Zkontrolujte, zda drážky kolem krytky dobře zapadají do jazyčků v horním otvoru připevňovací jednotky.
► **Obr.34**

PRÁCE S NÁŘADÍM

▲ UPOZORNĚNÍ: Při provádění práce vždy používejte boční rukojeť (pomocné držadlo) a nářadí pevně držte za boční rukojeť a rukojeť se spínačem.

▲ UPOZORNĚNÍ: Před zahájením práce se vždy ujistěte, že je obrobek uchycen.

▲ UPOZORNĚNÍ: Jestliže se bit/vrták zasekne, netahejte za nářadí silou. Při ztrátě kontroly nad nářadím může dojít ke zranění.

▲ UPOZORNĚNÍ: Systém sběru prachu je určený pouze k vrtání do betonu. Systém sběru prachu nepoužívejte při vrtání do kovu a dřeva.

▲ UPOZORNĚNÍ: Když nástroj používáte se systémem sběru prachu, nepamenejte na systém sběru prachu nasadit filtr, abyste zabránili vdechnutí prachu.

▲ UPOZORNĚNÍ: Před použitím systému sběru prachu zkontrolujte, zda není filtr poškozen. V opačném případě může dojít ke vdechnutí prachu.

▲ UPOZORNĚNÍ: Systém sběru prachu sbírá vytvořený prach vysokou rychlostí, ale přesto není sebrán všechny prach.

POZOR: Je-li nářadí provozováno dlouhou dobu nepřetržitě při nízké rychlosti, dojde k přetížení motoru a následně k selhání nářadí.

POZOR: Systém sběru prachu nepoužívejte při vrtání pomocí vrtných korunek či drážkování.


POZOR: Systém sběru prachu nepoužívejte při vrtání do mokrého betonu nebo ve vlhkém prostředí. V opačném případě může dojít k poruše.

POZNÁMKA: Při nízké teplotě akumulátoru nemusí nářadí pracovat na plný výkon. Aby nářadí opět začalo pracovat na plný výkon, je nutné akumulátor zahřát tím, že nářadí na chvíli pustíte naprázdno.

► **Obr.35**

Režim přiklepového vrtání


▲ UPOZORNĚNÍ: V okamžiku, kdy vrták vniká do materiálu, působí na nářadí a na vrták obrovské a náhlé krotivé síly, pokud dojde k ucpání otvoru třískami a částicemi nebo při nárazu do vyztužovacích tyčí umístěných v betonu. **Při provádění práce vždy používejte boční rukojeť (pomocné držadlo) a nářadí pevně držte za boční rukojeť a rukojeť se spínačem.** V opačném případě můžete nad nářadím ztratit kontrolu a mohlo by dojít k těžkému zranění.

Nastavte volič provozního režimu na symbol . Umístěte vrták na požadované místo vytvoření otvoru a stiskněte spoušť. Nepoužívejte při práci s nářadím nadměrnou sílu. Nejlepších výsledků dosáhnete mírným tlakem. Nářadí udržujte v dané poloze a zamezte jeho vyklouznutí z otvoru.

Dojde-li k ucpání otvoru třískami nebo částicemi, nevyvíjejte na nářadí větší tlak. Namísto toho nechte nářadí běžet v pomalých otáčkách a částečně povytláhněte vrták z otvoru. Budete-li tento postup několikrát opakovat, otvor se vyčistí a budete moci pokračovat v dalším vrtání.

POZNÁMKA: Při spuštění nástroje bez zatížení může při otáčení vrtáku vzniknout výstřednost. Nástroj se při práci automaticky vystředí. Tento stav neovlivňuje přesnost vrtání.

Sekání / otloukání / bourání

Nastavte volič provozního režimu na symbol . Držte nářadí pevně oběma rukama. Uvedte nástroj do chodu a vyvíjejte na něj mírný tlak, aby nedošlo k nekontrolovanému odskočení nástroje.

Příliš velký tlak vyvíjený na nástroj nezvyšuje jeho účinnost.

► **Obr.36**

Vrtání do dřeva a kovu

▲ UPOZORNĚNÍ: Držte nářadí pevně a dávejte pozor, jakmile vrták začne pronikat do obrobku. V okamžiku, kdy nástroj/vrták proniká materiálem, působí na nářadí a vrták značné síly.

▲ UPOZORNĚNÍ: Uvlnutý vrták lze jednoduše uvolnit přepnutím přepínače směru otáčení do opačné polohy. Pokud však nářadí nedržíte pevně, může nečekaně vyskočit.

▲ UPOZORNĚNÍ: Obrobky vždy upínejte do svěráku či do podobného upevňovacího zařízení.

POZOR: Nikdy nepoužívejte režim „otáčení s přiklepem“, pokud je na nářadí nasazeno rychloupínací sklíčidlo. Rychloupínací sklíčidlo by se mohlo poškodit.

Při obrácení otáček se také rychloupínací sklíčidlo uvolní.

POZOR: Nadměrným tlakem na nářadí vrtání neurychlíte. Ve skutečnosti tento nadměrný tlak vede jen k poškození hrotu vrtáku, snížení účinnosti nářadí a zkrácení jeho životnosti.

Nastavte volič provozního režimu na symbol .

Montáž sady sklíčidla


Volitelné příslušenství

Nasadte adaptér sklíčidla na bezklíčové sklíčidlo, do kterého lze instalovat šrouby velikosti 1/2"-20, a poté je nasadte do nástroje. Podrobnější informace o způsobu montáže adaptéru do sklíčidla jsou uvedeny v pokynech k instalaci vrtáku.

► **Obr.37:** 1. Bezklíčové sklíčidlo 2. Adaptér sklíčidla

Vrtání pomocí diamantové vrtné korunky

POZOR: Budete-li vrtání pomocí diamantových vrtných korunek provádět v režimu „otáčení s příklepem“, může dojít k poškození diamantové vrtné korunky.

Při vrtání pomocí diamantových vrtných korunek vždy umístěním voliče provozního režimu do polohy  vyberte režim „pouze otáčení“.

Vyklepávání prachu z filtru

Volitelné příslušenství

! UPOZORNĚNÍ: Neotáčejte kolečkem na příhrádce na prach, když je příhrádka demontovaná ze systému odsávání prachu. Hrozí vdechnutí prachu.

! UPOZORNĚNÍ: Než otočíte kolečkem na příhrádce na prach, nářadí vždy nejprve vypněte. Otočením kolečka během toho, co je nářadí v provozu, může dojít ke ztrátě kontroly nad nářadím.

Vyklepáním prachu z filtru uvnitř příhrádky na prach lze udržet účinnost podtlaku a také snížit počet nutných likvidací prachu.

Po nasbírání každých 50 000 mm³ prachu nebo pokud máte pocit, že klesla výkonost podtlaku, třikrát otočte voličem na příhrádce na prach.

POZNÁMKA: 50 000 mm³ prachu odpovídá vrtání 10 otvorů o ø10 mm a hloubce 65 mm.

► **Obr.38:** 1. Příhrádka na prach 2. Otočné kolečko

Vyspávání prachu

Volitelné příslušenství

! UPOZORNĚNÍ: Před prováděním jakýchkoli prací na nářadí se vždy přesvědčte, zda je vypnuté a je vyjmutý akumulátor.

! UPOZORNĚNÍ: Při vyspávání prachu použijte prachovou masku.

! UPOZORNĚNÍ: Příhrádku na prach pravidelně vyprazdňujte, než se zcela zaplní. V opačném případě může dojít ke snížení účinnosti sběru prachu a následně ke vdechnutí prachu.

! UPOZORNĚNÍ: Pokud se filtr v příhrádce na prach zanechá, sníží se účinnost sběru prachu. Filtr vyměňte za nový přibližně po 200 naplněních příhrádky na prach. V opačném případě může dojít ke vdechnutí prachu.

1. Držte stisknutou páčku západky příhrádky na prach a vyjměte příhrádku na prach.

► **Obr.39:** 1. Páčka západky

2. Zvedněte zajišťovací výstupek lehce ven a otevřete kryt příhrádky na prach.

► **Obr.40:** 1. Kryt příhrádky na prach 2. Zajišťovací výstupek

3. Vysypte prach a vyčistěte filtr.

► **Obr.41**

POZOR: Při čištění filtru rukou jemně poklepejte na kryt filtru a tím odstraňte prach. Neklepejte přímo na filtr; filtru se dotýkejte pomocí kartáčku nebo podobného nástroje, případně na filtr použijte stlačený vzduch. V opačném případě může dojít k poškození filtru.

Vyfukovací nástroj

Volitelné příslušenství

Po vyvrtání otvoru použijte k odstranění prachu z otvoru vyfukovací nástroj.

► **Obr.42**

Použití sady protiprachových krytek

Volitelné příslušenství

Při používání nástroje nasadte sadu protiprachových krytek proti stropu.

► **Obr.43**

POZOR: Sadu protiprachových krytek nepoužívejte při vrtání do kovu a podobných materiálů. Teplou vyprodukovanou drobným kovovým prachem či prachem podobných materiálů může sadu protiprachových krytek poškodit.

POZOR: Sadu protiprachových krytek nenasazujte na vrták ani nevytahujte z vrtáku, je-li vrták nasazen na nářadí. Pokud tak učiníte, hrozí poškození sady protiprachových krytek a únik prachu.

FUNKCE BEZDRÁTOVÉ AKTIVACE

Co lze provádět s funkcí bezdrátové aktivace

Funkce bezdrátové aktivace umožňuje čistý a pohodlný provoz. Pomocí připojení podporovaného vysavače k nástroji můžete automaticky používat vysavač při aktivaci spouště nástroje.

► **Obr.44**

K použití funkce bezdrátové aktivace si připravte následující položky:

- Bezdrátová jednotka (volitelné příslušenství)
- Vysavač s podporou funkce bezdrátové aktivace

Přehled nastavení funkce bezdrátové aktivace je následující. Podrobné postupy najdete v příslušné části.

1. Instalace bezdrátové jednotky
2. Registrace nástroje pro vysavač
3. Spuštění funkce bezdrátové aktivace

Instalace bezdrátové jednotky

Volitelné příslušenství

⚠ UPOZORNĚNÍ: Při instalaci bezdrátové jednotky umístěte nástroj na plochý a stabilní povrch.

POZOR: Před instalací bezdrátové jednotky očistěte nástroj od prachu a nečistot. Pokud se prach a nečistoty dostanou do drážky bezdrátové jednotky, mohou způsobit poruchu.

POZOR: Aby se zabránilo poruchám způsobeným statickým elektřinou, před uchopením bezdrátové jednotky se dotkněte materiálu pro vybití statické elektřiny, jako je třeba kovový díl nástroje.

POZOR: Při instalaci bezdrátové jednotky se vždy ujistěte, že je bezdrátová jednotka vložena ve správné poloze a kryt je kompletně uzavřen.

1. Otevřete kryt nástroje podle znázornění na obrázku.
► **Obr.45:** 1. Kryt

2. Vložte bezdrátovou jednotku do drážky a zavřete kryt.

Při vložení bezdrátové jednotky zarovnejte výčnělky s prohlubněmi na drážce.

► **Obr.46:** 1. Bezdrátová jednotka 2. Výčnělek 3. Kryt 4. Prohlubeň

Při demontáži bezdrátové jednotky pomalu otevřete kryt. Háčky na zadní straně krytu vytáhnou bezdrátovou jednotku, jakmile kryt odklopíte.

► **Obr.47:** 1. Bezdrátová jednotka 2. Háček 3. Kryt

Po vyjmutí uchovávejte bezdrátovou jednotku v dodávaném pouzdru nebo antistatickém obalu.

POZOR: Při vyjímání bezdrátové jednotky vždy použijte háčky na zadní straně krytu. Pokud háčky nezachytí bezdrátovou jednotku, kryt zcela zavřete a znovu ho pomalu otevřete.

Registrace nástroje pro vysavač

POZNÁMKA: Pro registraci nástroje je vyžadován vysavač Makita s podporou funkce bezdrátové aktivity.

POZNÁMKA: Před zahájením registrace nástroje dokončete instalaci bezdrátové jednotky.

POZNÁMKA: Během registrace nástroje nestlačujte spoušť ani nezapínejte vypínač vysavače.

POZNÁMKA: Viz také návod k obsluze vysavače.

Pokud chcete aktivovat vysavač při stisknutí spouště nástroje, dokončete předtím registraci nástroje.

1. Instalujte baterie do vysavače a nástroje.

2. Nastavte přepínač pohotovostního režimu na vysavači do polohy AUTO.

► **Obr.48:** 1. Přepínač pohotovostního režimu

3. Stiskněte tlačítko aktivity bezdrátové funkce na vysavači po dobu 3 sekund, dokud se indikátor bezdrátové aktivity nerozsvítí zeleně. Potom stejně postupujte u tlačítka bezdrátové aktivity na nástroji.

► **Obr.49:** 1. Tlačítko bezdrátové aktivity 2. Indikátor bezdrátové aktivity

Po úspěšném propojení vysavače a nástroje se na 2 sekundy zeleně rozsvítí indikátory bezdrátové aktivity a pak začnou modře blikat.

POZNÁMKA: Indikátory bezdrátové aktivity přestanou zeleně blikat po uplynutí 20 sekund. Stiskněte tlačítko bezdrátové aktivity na nástroji, dokud indikátor bezdrátové aktivity na vysavači bliká. Pokud indikátor bezdrátové aktivity neblíká zeleně, krátce stiskněte tlačítko bezdrátové aktivity a znovu ho přidržte stisknuté.

POZNÁMKA: Když provádíte dvě a více registrací nástroje pro jeden vysavač, proveďte registraci nástroje jednotlivě.

Spuštění funkce bezdrátové aktivity

POZNÁMKA: Registraci nástroje pro vysavač dokončete před bezdrátovou aktivací.

POZNÁMKA: Viz také návod k obsluze vysavače.

Po registraci nástroje k vysavači se vysavač automaticky spustí při sepnutí spouště nástroje.

1. Instalujte bezdrátovou jednotku do nástroje.

2. Propojte hadici vysavače s nástrojem.

► **Obr.50**

3. Nastavte přepínač pohotovostního režimu na vysavači do polohy AUTO.

► **Obr.51:** 1. Přepínač pohotovostního režimu

4. Krátce stiskněte tlačítko bezdrátové aktivity na nástroji. Indikátor bezdrátové aktivity bude blikat modře.

► **Obr.52:** 1. Tlačítko bezdrátové aktivity 2. Indikátor bezdrátové aktivity

5. Stiskněte spoušť nástroje. Zkontrolujte, zda je vysavač při stisknutí spouště nástroje spuštěný.

Pokud chcete zastavit bezdrátovou aktivaci vysavače, stiskněte tlačítko bezdrátové aktivity nástroje.

POZNÁMKA: Indikátor bezdrátové aktivity na nástroji přestane blikat modře po 2 hodinách nečinnosti nástroje. V takovém případě nastavte přepínač pohotovostního režimu na vysavači do polohy AUTO a znovu stiskněte tlačítko pro aktivaci na nástroji.

POZNÁMKA: Vysavač se spustí/zastaví se zpožděním. Je tu určitá časová prodleva, než vysavač detekuje stisknutí spouště nástroje.










POZNÁMKA: Přenosová vzdálenost bezdrátové jednotky se může lišit v závislosti na umístění a podmínkách prostředí.

POZNÁMKA: Když je k jednomu vysavači registrováno více nástrojů, může se vysavač spustit, i když nestisknete spoušť, když jiný uživatel použije funkci bezdrátové aktivity.

Popis stavu indikátoru bezdrátové aktivace

► Obr.53: 1. Indikátor bezdrátové aktivace

Indikátor bezdrátové aktivace zobrazuje stav funkce bezdrátové aktivace. Vysvětlení stavu indikátorů najdete v následující tabulce.

Stav	Indikátor bezdrátové aktivace				Popis
	Barva	 Svítí	 Bliká	Trvání	
Pohotovostní režim	Modrá			2 hodiny	Je dostupná bezdrátová aktivace vysavače. Indikátor automaticky zhasne po 2 hodinách nečinnosti.
				Při spuštění nástroje.	Bezdrátová aktivace vysavače je dostupná a nástroj je spuštěn.
Registrace nástroje	Zelená			20 sekund	Připraveno k registraci nástroje. Čeká se na registraci vysavačem.
				2 sekundy	Registrace nástroje byla dokončena. Indikátor bezdrátové aktivace začne blikat modře.
Rušení registrace nástroje	Červená			20 sekund	Připraveno zrušení registrace nástroje. Čeká se na zrušení od vysavače.
				2 sekundy	Zrušení registrace nástroje bylo dokončeno. Indikátor bezdrátové aktivace začne blikat modře.
Jiné	Červená			3 sekundy	Bezdrátová jednotka je napájena a funkce bezdrátové aktivace se spouští.
	Nesvítí	-		-	Bezdrátová aktivace vysavače byla zastavena.

Rušení registrace nástroje pro vysavač

Při rušení registrace nástroje pro vysavač postupujte takto.

1. Instalujte baterie do vysavače a nástroje.
2. Nastavte přepínač pohotovostního režimu na vysavači do polohy AUTO.

► Obr.54: 1. Přepínač pohotovostního režimu

3. Stiskněte tlačítko bezdrátové aktivace na vysavači na dobu 6 sekund. Indikátor bezdrátové aktivace bliká zeleně a pak svítí červeně. Potom stejným způsobem stiskněte tlačítko bezdrátové aktivace na nástroji.

► Obr.55: 1. Tlačítko bezdrátové aktivace 2. Indikátor bezdrátové aktivace

Po úspěšném zrušení se na 2 sekundy červeně rozsvítí indikátory bezdrátové aktivace a pak začnou modře blikat.

POZNÁMKA: Indikátory bezdrátové aktivace přestanou červeně blikat po uplynutí 20 sekund. Stiskněte tlačítko bezdrátové aktivace na nástroji, dokud indikátor bezdrátové aktivace na vysavači bliká. Pokud indikátor bezdrátové aktivace neblíká červeně, krátce stiskněte tlačítko bezdrátové aktivace a znovu ho přidržte stisknuté.

Odstraňování problémů funkce bezdrátové aktivity

Před žádostí o opravu proveďte nejprve prohlídku sami. Narazíte-li na problém, jenž v této příručce není vysvětlen, nepouštějte se do demontáže zařízení. Požádejte o pomoc některé z autorizovaných servisních středisek Makita, kde k opravám vždy používají náhradní díly Makita.

Problém	Pravděpodobná příčina (porucha)	Náprava
Indikátor bezdrátové aktivity nesvítí/nebliká.	Bezdrátová jednotka není instalována v nástroji. Bezdrátová jednotka není správně instalována v nástroji.	Proveďte správnou instalaci bezdrátové jednotky.
	Svorka na bezdrátové jednotce nebo drážka jsou znečištěné.	Opatrně otřete prach na svorce bezdrátové jednotky a vyčistěte drážku.
	Tlačítko bezdrátové aktivity na nástroji nebylo stlačeno.	Krátce stiskněte tlačítko bezdrátové aktivity na nástroji.
	Přepínač pohotovostního režimu vysavače není nastaven do polohy AUTO.	Nastavte přepínač pohotovostního režimu na vysavači do polohy AUTO.
	Chybí zdroj napájení	Připojte napájení k nástroji a vysavači.
Nelze dokončit registraci nástroje / zrušit registraci nástroje.	Bezdrátová jednotka není instalována v nástroji. Bezdrátová jednotka není správně instalována v nástroji.	Proveďte správnou instalaci bezdrátové jednotky.
	Svorka na bezdrátové jednotce nebo drážka jsou znečištěné.	Opatrně otřete prach na svorce bezdrátové jednotky a vyčistěte drážku.
	Přepínač pohotovostního režimu vysavače není nastaven do polohy AUTO.	Nastavte přepínač pohotovostního režimu na vysavači do polohy AUTO.
	Chybí zdroj napájení	Připojte napájení k nástroji a vysavači.
	Nesprávná operace	Krátce stiskněte tlačítko bezdrátové aktivity a opakujte postupy registrace/zrušení.
	Nástroj a vysavač jsou daleko od sebe (mimo dosah vysílání).	Přesuňte nástroj a vysavač blíž k sobě. Maximální přenosová vzdálenost je přibližně 10 m. To se ale může lišit v závislosti na podmínkách.
	Před dokončením registrace/zrušení: – spoušť nástroje je stisknuta nebo – vypínač vysavače je zapnutý.	Krátce stiskněte tlačítko bezdrátové aktivity a opakujte postupy registrace/zrušení.
	Registrace nástroje pro vysavač nebo nástroj nebyly dokončeny.	Proveďte registraci nástroje a vysavače se stejným načasováním.
	Rušení bezdrátového přenosu ze strany jiných zařízení, která generují silné rádiové vlny.	Nástroj a vysavač je potřeba uchovávat dál od zařízení, jako jsou zařízení Wi-Fi a mikrovlnné trouby.
Vysavač se nespustí při stisknutí spouště nástroje.	Bezdrátová jednotka není instalována v nástroji. Bezdrátová jednotka není správně instalována v nástroji.	Proveďte správnou instalaci bezdrátové jednotky.
	Svorka na bezdrátové jednotce nebo drážka jsou znečištěné.	Opatrně otřete prach na svorce bezdrátové jednotky a vyčistěte drážku.
	Tlačítko bezdrátové aktivity na nástroji nebylo stlačeno.	Krátce stiskněte tlačítko pro bezdrátovou aktivaci a ujistěte se, že indikátor bezdrátové aktivity bliká modře.
	Přepínač pohotovostního režimu vysavače není nastaven do polohy AUTO.	Nastavte přepínač pohotovostního režimu na vysavači do polohy AUTO.
	K vysavači je registrováno více než 10 nástrojů.	Opakujte registraci nástroje. Pokud je k vysavači registrováno více než 10 nástrojů, dojde k automatickému zrušení nejstarší registrace.
	Vysavač vymazal všechny registrace nástrojů.	Opakujte registraci nástroje.
	Chybí zdroj napájení	Připojte napájení k nástroji a vysavači.
	Nástroj a vysavač jsou daleko od sebe (mimo dosah vysílání).	Přesuňte nástroj a vysavač blíž k sobě. Maximální přenosová vzdálenost je přibližně 10 m. To se ale může lišit v závislosti na podmínkách.
	Rušení bezdrátového přenosu ze strany jiných zařízení, která generují silné rádiové vlny.	Nástroj a vysavač je potřeba uchovávat dál od zařízení, jako jsou zařízení Wi-Fi a mikrovlnné trouby.
Vysavač se spustí, ačkoli nebyla stisknuta spoušť nástroje.	Jiní uživatelé bezdrátové aktivují vysavač pomocí svých nástrojů.	Vypněte tlačítko bezdrátové aktivity u ostatních nástrojů nebo zrušte registraci ostatních nástrojů.

ÚDRŽBA

⚠ UPOZORNĚNÍ: Před zahájením kontroly nebo údržby nářadí se vždy ujistěte, zda je vypnuté a je vyjmut akumulátor.

POZOR: Nikdy nepoužívejte benzín, benzen, ředidlo, alkohol či podobné prostředky. Mohlo by tak dojít ke změnám barvy, deformacím či vzniku prasklin.

K zachování BEZPEČNOSTI a SPOLEHLIVOSTI výrobku musí být opravy a veškerá další údržba či seřizování prováděny autorizovanými nebo továrními servisními středisky společnosti Makita s využitím náhradních dílů Makita.

Výměna filtru přihrádky na prach

Volitelné příslušenství

- Držte stisknutou páčku západky přihrádky na prach a vyjměte přihrádku na prach.
► **Obr.56:** 1. Páčka západky
- Zvedněte zajišťovací výstupek lehce ven a otevřete kryt přihrádky na prach.
► **Obr.57:** 1. Kryt přihrádky na prach 2. Zajišťovací výstupek
- Zasuňte plochý šroubovák mezi pouzdro filtru a kryt přihrádky na prach dle obrázku. Stiskněte boční stěny pouzdra filtru k sobě a zvedněte pouzdro filtru ven pomocí plochého šroubováku.
► **Obr.58:** 1. Plochý šroubovák 2. Pouzdro filtru 3. Kryt přihrádky na prach
- Vytlačte filtr z pouzdra filtru dle obrázku.
► **Obr.59:** 1. Filtr 2. Pouzdro filtru
- Nasaďte do pouzdra filtru nový filtr. Nasaďte pouzdro filtru zpět do přihrádky na prach tak, aby vodící výstupek na pouzdru filtru lícovál s drážkou v přihrádce na prach.
► **Obr.60:** 1. Vodící výstupek 2. Drážka
- Zavřete kryt přihrádky na prach a poté přihrádku na prach nasaďte na systém odsávání prachu.

Výměna těsnící krytky

Volitelné příslušenství

Těsnící krytku pravidelně vyměňujte, jelikož opotřebená nebo poškozená těsnící krytka může nepříznivě ovlivňovat sací výkon.

- Zasuňte plochý šroubovák s plochými čely rovně do jednoho z uvolňovacích otvorů po stranách hlavy hubice. Sklopte plochý šroubovák do úhlu pro zachycení a sevření krychlového háku těsnící krytky z tvarovaného sedla. Pak sloupněte pryžové hrany těsnící krytky z obrub otvoru hlavy hubice.
► **Obr.61:** 1. Těsnící krytka 2. Krychlový hák 3. Uvolňovací otvor 4. Hlava hubice
- Nasaďte jeden z krychlových háků obnovené těsnící krytky do tvarovaného sedla v hlavě hubice tak, aby ustupující povrch těsnící krytky mířil dopředu.
► **Obr.62:** 1. Krychlové háky 2. Sedla 3. Těsnící krytka 4. Ustupující povrch

- Umístěte druhý hák do sedla na opačné straně hlavy hubice, přičemž přestavte těsnící krytku tak, aby řádně zapadla do hlavy hubice.
► **Obr.63:** 1. Těsnící krytka 2. Krychlový hák 3. Sedlo 4. Hlava hubice 5. Obruby
- Jemně položte pryžové hrany těsnící krytky přes obruby otvoru hlavy hubice zespodu nahoru.
► **Obr.64:** 1. Pryžové hrany 2. Těsnící krytka 3. Hlava hubice

VOLITELNÉ PŘÍSLUŠENSTVÍ

⚠ UPOZORNĚNÍ: Pro nářadí Makita popsané v tomto návodu doporučujeme používat následující příslušenství a nástavce. Při použití jiného příslušenství či nástavců může hrozit nebezpečí zranění osob. Příslušenství lze používat pouze pro stanovené účely.

Potřebujete-li bližší informace ohledně tohoto příslušenství, obraťte se na místní servisní středisko společnosti Makita.

- Vrtáky s karbidovým hrotem (vrtáky s karbidovým hrotem SDS-Plus)
- Vrtná korunka
- Tyč s hrotem
- Diamantová jádrová vrtná korunka
- Plochý sekáč
- Oškrť
- Drážkovací dláto
- Sada sklíčidel (adaptér sklíčidla / sklíčidlo)
- Vazelína na nástroj
- Hloubkoměr
- Vyfukovací nástroj
- Protiprachová krytka
- Sada protiprachových krytek
- Sada háku
- Sada přihrádky na prach
- Sada filtru
- Spojka
- Systém odsávání prachu
- Bezdrátová jednotka
- Ochranné brýle
- Originální akumulátor a nabíječka Makita

POZNÁMKA: Některé položky seznamu mohou být k nářadí přibaleny jako standardní příslušenství. Přibalené příslušenství se může v různých zemích lišit.

ТЕХНІЧНІ ХАРАКТЕРИСТИКИ

Модель:		HR007G
Функціональні можливості	Бетон	28 мм
	Колонкове свердло	54 мм
	Свердло з алмазним осердям (для використання без промивання)	65 мм
	Сталь	13 мм
	Деревина	32 мм
Швидкість у режимі холостого ходу		0–980 хв ⁻¹
Ударів за хвилину		0–5 000 хв ⁻¹
Номінальна напруга		36 В – 40 В пост. струму макс.
Загальна довжина	з BL4025	458 мм
	з BL4040	473 мм
Маса нетто		3,8–4,8 кг

Додаткове приладдя

Модель:		DX15
Продуктивність усмоктування		290 л/хв
Робочий хід		До 190 мм
Придатне свердло		До 260 мм
Маса нетто		1,3 кг

- Оскільки наша програма наукових досліджень і розробок триває безперервно, наведені тут технічні характеристики можуть бути змінені без попередження.
- У різних країнах технічні характеристики можуть бути різними.
- Вага може відрізнятись залежно від допоміжного обладнання, наприклад касети з акумулятором. Найлегші та найважчі комплекти, відповідно до стандарту ЕРТА (Європейська асоціація виробників електрострументу) від січня 01/2014 року, представлено в таблиці.

Застосовна касета з акумулятором і зарядний пристрій

Касета з акумулятором	BL4020* / BL4025* / BL4040* / BL4050F *: рекомендований акумулятор
Зарядний пристрій	DC40RA / DC40RB / DC40RC

- Деякі касети з акумулятором і зарядні пристрої, які вказано вище, можуть бути недоступними залежно від вашого регіону або місця перебування.

⚠ ПОПЕРЕДЖЕННЯ: Використовуйте лише касети з акумулятором і зарядні пристрої, зазначені вище. Використання будь-яких інших касет з акумулятором і зарядних пристроїв може призвести до травмування й/або пожежі.

Рекомендоване джерело енергопостачання з дротовим підключенням

Портативний блок живлення	PDC01 / PDC1200
---------------------------	-----------------

- У деяких регіонах певні моделі джерел енергопостачання з дротовим підключенням, які вказано вище, можуть бути недоступні.
- Перед використанням джерела енергопостачання з дротовим підключенням прочитайте інструкції та попереджувальні написи на них.

Призначення

Інструмент призначено для ударного свердління та свердління цегли, бетону й камення, а також довбання.

Можна також застосовувати для неударного свердління деревини, металу, кераміки та пластмаси.

Шум

Рівень шуму за шкалою А в типовому виконанні, визначений відповідно до стандарту EN60745-2-6:

Модель HR007G

Рівень звукового тиску (L_{pA}): 94 дБ (А)

Рівень звукової потужності (L_{WA}): 105 дБ (А)

Похибка (К): 3 дБ (А)

Модель HR007G із DX15

Рівень звукового тиску (L_{pA}): 93 дБ(A)

Рівень звукової потужності (L_{WA}): 104 дБ (A)

Похибка (K): 3 дБ(A)

ПРИМІТКА: Заявлене значення шуму було виміряно відповідно до стандартних методів тестування й може використовуватися для порівняння одного інструмента з іншим.

ПРИМІТКА: Заявлене значення шуму може також використовуватися для попереднього оцінювання впливу.

▲ПОПЕРЕДЖЕННЯ: Користуйтеся засобами захисту органів слуху.

▲ПОПЕРЕДЖЕННЯ: Залежно від умов використання рівень шуму під час фактичної роботи електроінструмента може відрізнятися від заявленого значення вібрації; особливо сильно на це впливає тип деталі, що оброблюється.

▲ПОПЕРЕДЖЕННЯ: Забезпечте належні запобіжні заходи для захисту оператора, що відповідатимуть умовам використання інструмента (слід брати до уваги всі складові робочого циклу, як-от час, коли інструмент вимкнено та коли він починає працювати на холостому ході під час запуску).

Вібрація

У таблиці нижче наведено загальне значення вібрації (векторна сума трьох напрямків), визначене згідно із застосовним стандартом.

Режим роботи	Розповсюдження вібрації	Похибка (K)	Відповідний стандарт
Ударне свердління бетону ($a_{h, HD}$)	7,5 м/с ²	1,5 м/с ²	EN60745-2-6
Ударне свердління бетону за допомогою DX15 ($a_{h, HD}$)	8,1 м/с ²	1,5 м/с ²	EN60745-2-6
Довбання з використанням бокової рукоятки ($a_{h, CHCD}$)	8,6 м/с ²	1,5 м/с ²	EN60745-2-6
Свердління металу ($a_{h, D}$)	2,8 м/с ²	1,5 м/с ²	EN60745-2-1

ПРИМІТКА: Заявлене загальне значення вібрації було виміряно відповідно до стандартних методів тестування й може використовуватися для порівняння одного інструмента з іншим.

ПРИМІТКА: Заявлене загальне значення вібрації може також використовуватися для попереднього оцінювання впливу.

▲ПОПЕРЕДЖЕННЯ: Залежно від умов використання вібрація під час фактичної роботи електроінструмента може відрізнятися від заявленого значення вібрації; особливо сильно на це впливає тип деталі, що оброблюється.

▲ПОПЕРЕДЖЕННЯ: Забезпечте належні запобіжні заходи для захисту оператора, що відповідатимуть умовам використання інструмента (слід брати до уваги всі складові робочого циклу, як-от час, коли інструмент вимкнено та коли він починає працювати на холостому ході під час запуску).

Декларація про відповідність стандартам ЄС

Тільки для країн Європи

Декларацію про відповідність стандартам ЄС наведено в Додатку А до цієї інструкції з експлуатації.

ПОПЕРЕДЖЕННЯ ПРО ДОТРИМАННЯ ТЕХНІКИ БЕЗПЕКИ

Загальні застереження щодо техніки безпеки при роботі з електроінструментами

▲ПОПЕРЕДЖЕННЯ: Уважно ознайомтеся з усіма попередженнями про дотримання правил техніки безпеки, інструкціями, ілюстраціями та технічними характеристиками, що стосуються цього електроінструмента. Невиконання будь-яких інструкцій, перелічених нижче, може призвести до ураження електричним струмом, пожежі та/або тяжких травм.

Збережіть усі інструкції з техніки безпеки та експлуатації на майбутнє.

Термін «електроінструмент», зазначений у інструкції з техніки безпеки, стосується електроінструмента, який функціонує від електромережі (електроінструмент з кабелем живлення), або електроінструмента з живленням від батареї (безпроводний електроінструмент).

ПОПЕРЕДЖЕННЯ ПРО НЕОБХІДНУ ОБЕРЕЖНІСТЬ ПІД ЧАС РОБОТИ З БЕЗДРОВОМ ПЕРФОРАТОРОМ

1. Користуйтеся засобами захисту органів слуху. Вплив шуму може призвести до втрати слуху.
2. Використовуйте допоміжну(і) ручку(и), якщо вона(и) поставляються разом з інструментом. Втрата контролю над інструментом може призвести до травмування.

3. Тримайте електроінструмент за ізольовані поверхні держака під час роботи в місцях, де різальне приладдя може зачепити приховану електропроводку. Торкання різальним приладдям дроту під напругою може призвести до передавання напруги до оголених металевих частин інструмента та до ураження оператора електричним струмом.
4. Слід одягати каску (захисний шолом), захисні окуляри та (або) щиток-маску. Звичайні або сонцезахисні окуляри НЕ Є захисними. Настійно рекомендовано одягати пілозахисну маску та рукавиці з товстими підкладками.
5. Перед початком роботи обов'язково перевірте, щоб полотно було надійно закріплене в робочому положенні.
6. При нормальній роботі інструмент вібрує. Гвинти можуть швидко розбвтатися, що призведе до поломки або поранення. Перед початком роботи слід перевірити міцність затягування гвинтів.
7. Під час холодної погоди або якщо інструмент довго не використовувався, його слід розігріти, давши попрацювати якийсь час на холостому ході. Це розм'якшить мастило. Якщо не провести розігрів, працювати з інструментом буде важко.
8. Обов'язково забезпечте надійну опору. При виконанні робіт з інструментом на висоті переконайтеся, що внизу нікого немає.
9. Міцно тримайте інструмент обома руками.
10. Не наближайте руки до деталей, що рухаються.
11. Не залишайте без нагляду інструмент, який працює. Працюйте з інструментом, тільки тримаючи його в руках.
12. Під час роботи ніколи не спрямовуйте інструмент на людину, що перебуває поруч із місцем роботи. Свердло може вискочити та завдати серйозної травми.
13. Не слід торкатися свердла, частин, що примикають до нього, або робочої деталі одразу після використання інструмента: вони можуть бути дуже гарячими та призвести до опіку шкіри.
14. Деякі матеріали мають у своєму складі токсичні хімічні речовини. Будьте обережні, щоб не допустити вдихання пилу та його контакту зі шкірою. Дотримуйтеся правил техніки безпеки виробничого матеріалу.
15. Перш ніж передати інструмент іншій особі, обов'язково перевірте, чи вимкнений прилад і чи знята касета з акумулятором та наконечник.
16. Перед початком роботи переконайтеся в тому, що під поверхню робочої зони не проходять лінії електропостачання, водопроводи або газопроводи. В іншому випадку головка свердла / зубило можуть торкнутися цих предметів, що призведе до ураження електричним струмом, витоку струму або газу.
17. Без потреби не допускайте, щоб інструмент працював без навантаження.

ЗБЕРІГАЙТЕ ЦІ ВКАЗІВКИ.

▲ПОПЕРЕДЖЕННЯ: НІКОЛИ НЕ втрачайте пильності та не розслабляйтеся під час користування виробом (що можливо від частого користування); обов'язково строго дотримуйтеся відповідних правил безпеки. **НЕАЛЕЖНЕ ВИКОРИСТАННЯ** або недотримання правил техніки безпеки, викладених у цій інструкції з експлуатації, може призвести до серйозних травм.

Важливі інструкції з безпеки для касети з акумулятором

1. Перед тим як користуватися касетою з акумулятором, слід прочитати всі інструкції та застережні знаки щодо (1) зарядного пристрою акумулятора, (2) акумулятора та (3) виробів, що працюють від акумулятора.
2. Не розбирайте касету з акумулятором і не змінюйте її конструкцію. Це може призвести до пожежі, перегріву або вибуху.
3. Якщо період роботи дуже покоротшав, слід негайно припинити користування. Це може призвести до виникнення ризику перегріву, опіку та навіть вибуху.
4. У разі потрапляння електроліту в очі слід промити їх чистою водою та негайно звернутися до лікаря. Це може призвести до втрати зору.
5. Не закоротіть касету з акумулятором.
 - (1) Не слід торкатися клем будь-яким струмопровідним матеріалом.
 - (2) Не слід зберігати касету з акумулятором у ємності з іншими металевими предметами, такими як цвяхи, монети тощо.
 - (3) Не залишайте касету з акумулятором під дощем, запобігайте контакту з водою.
 Коротке замикання може призвести до появи значного струму, перегріву, можливих опіків та навіть виходу з ладу.
6. Не слід зберігати й використовувати інструмент і касету з акумулятором у місцях, де температура може сягнути чи перевищити 50 °C (122 °F).
7. Не слід спалювати касету з акумулятором, навіть якщо вона була неодноразово пошкоджена або повністю спрацьована. Касета з акумулятором може вибухнути у вогні.
8. Заборонено забивати цвяхи в касету з акумулятором, різати, ламати, кидати й впускати касету з акумулятором або вдаряти її твердим предметом. Це може призвести до пожежі, перегріву або вибуху.
9. Не слід використовувати пошкоджений акумулятор.
10. Літій-іонні акумулятори, що містяться в інструменті, мають відповідати вимогам законів про небезпечні товари.

Під час транспортування за допомогою комерційних перевезень, наприклад із залученням третьої сторони та експедиторів, необхідно дотримуватись особливих вимог, вказаних на пакуванні й у маркуванні. Під час підготування позиції до відправлення необхідно проконсультуватись зі спеціалістом з небезпечних матеріалів. Крім того, слід виконувати більш докладні національні настанови, якщо такі є.

Заклейте відкриті контакти стрічкою або заховайте їх і запакуйте акумулятор таким чином, щоб він не міг рухатися в пакуванні.

11. Для утилізації касети з акумулятором витягніть її з інструмента та утилізуйте безпечним способом. Дотримуйтеся норм місцевого законодавства щодо утилізації акумуляторів.
12. Використовуйте акумулятори лише з виробами, указаними компанією Makita. Установлення акумуляторів у невідповідні вироби може призвести до пожежі, надмірного нагрівання, вибуху чи витоку електроліту.
13. Якщо інструментом не користуватимуться протягом тривалого періоду часу, вийміть акумулятор з інструмента.
14. Під час і після використання касета з акумулятором може нагріватися, що може стати причиною опіків або низькотемпературних опіків. Будьте обережні під час поводження з гарячою касетою з акумулятором.
15. Не торкайтеся контактів інструмента відразу після використання, оскільки він може бути досить гарячим, щоб викликати опіки.
16. Не допускайте, щоб уламки, пил або земля прилипали до контактів, отворів і пазів на касеті з акумулятором. Це може призвести до перегріву, займання, вибуху та виходу з ладу інструмента або касети з акумулятором і спричинити опіки або травми.
17. Якщо інструмент не розраховано на використання поблизу високовольтних ліній електропередач, не використовуйте касету з акумулятором поблизу високовольтних ліній електропередач. Це може призвести до несправності, поломки інструмента або касети з акумулятором.
18. Тримайте акумулятор у недоступному для дітей місці.
4. Коли касета з акумулятором не використовується, виймайте її з інструмента або зарядного пристрою.
5. Якщо касета з акумулятором не використовувалася тривалий час (понад шість місяців), її слід зарядити.

Важливі інструкції з безпеки для бездротового модуля

1. Не розбирайте бездротовий модуль і не намагайтеся втручатися в його роботу.
2. Зберігайте бездротовий модуль у недосяжному для дітей місці. При випадковому прокочуванні негайно зверніться до лікаря.
3. Використовуйте бездротовий модуль лише з інструментами Makita.
4. Не тримайте бездротовий модуль під дощем або в умовах підвищеної вологості.
5. Не використовуйте бездротовий модуль у місцях, де температура перевищує 50°C.
6. Не використовуйте бездротовий модуль неподалік від медичних приборів, таких як кардіостимулятори.
7. Не використовуйте бездротовий модуль поруч з автоматизованими пристроями. Таке використання може спричинити збої або помилки в роботі автоматизованих пристроїв.
8. Не використовуйте бездротовий модуль у місцях, де він може піддаватися впливу високої температури, статичної електрики або електричних перешкод.
9. Бездротовий модуль може генерувати електромагнітні поля (ЕМП), нешкідливі для користувача.
10. Бездротовий модуль є точним інструментом. Будьте уважні, щоб не впустити або не вдарити бездротовий модуль.
11. Не торкайтеся контактів бездротового модуля голими руками або металевими предметами.
12. Перш ніж установлювати бездротовий модуль, обов'язково вийміть акумулятор.
13. Не відкривайте кришку відсіку в місцях, де в нього може потрапити пил або вода. Завжди тримайте вхідний отвір відсіку в чистоті.
14. Завжди вставляйте бездротовий модуль правильною стороною.
15. Не натискайте занадто сильно кнопку активації на бездротовому модулі та не робіть це гострим предметом.
16. Під час роботи завжди закривайте кришку відсіку.
17. Не виймайте бездротовий модуль із відсіку, поки на інструмент подається живлення. Це може призвести до несправності бездротового модуля.
18. Не видаляйте наклейку на бездротовому модулі.
19. Не розміщуйте будь-які наклейки на бездротовому модулі.
20. Не залишайте бездротовий модуль під впливом статичної електрики або електричних перешкод.
21. Не залишайте бездротовий модуль під впливом високої температури, наприклад на сидінні автомобіля на сонці.

ЗБЕРІГАЙТЕ ЦІ ВКАЗІВКИ.

⚠ОБЕРЕЖНО: Використовуйте тільки акумулятори Makita. Використання акумуляторів, інших ніж оригінальні акумулятори Makita, або акумуляторів, конструкцію яких було змінено, може призвести до вибуху акумулятора і спричинити пожежу, травму або пошкодження. У зв'язку з цим також буде анульовано гарантію Makita на інструмент Makita і на зарядний пристрій.

Поради з забезпечення максимального строку експлуатації акумулятора

1. Касету з акумулятором слід заряджати до того, як він розрядиться повністю. Завжди слід зупиняти роботу інструмента та зарядити акумулятор, якщо ви помітили зменшення потужності інструмента.
2. Ніколи не слід заряджати повторно повністю заряджену касету з акумулятором. Перезарядження скорочує строк експлуатації акумулятора.
3. Заряджайте касету з акумулятором при кімнатній температурі 10°C - 40°C (50°F - 104°F). Перед тим як заряджати касету з акумулятором, слід зачекати, доки вона охолоне.

22. Не залишайте бездротовий модуль у заплюненому або запорошеному місці або в місці, де може утворитися корозійний газ.
23. Раптова зміна температури може призвести до конденсації вологи на бездротовому модулі. Не використовуйте бездротовий модуль, поки волога не висохне повністю.
24. Під час чищення бездротового модуля обережно протирайте його сухою м'якою тканиною. Не використовуйте бензин, розчинник, електропровідне мастило тощо.
25. Зберігайте бездротовий модуль в упаковці з комплекту постачання або в контейнері, захищеному від дії статичної електрики.
26. Не вставляйте у відсік інструмента будь-які інші пристрої, крім бездротового модуля Makita.
27. Не використовуйте інструмент із пошкодженою кришкою відсіку. Потраплення у відсік води, пилу та бруду може привести до несправності.
28. Не тягніть і не скручуйте кришку відсіку більше, ніж необхідно. Установіть кришку на місце, якщо вона від'єдналася від інструмента.
29. Замініть кришку відсіку, якщо її було загнуто або пошкоджено.

ЗБЕРІГАЙТЕ ЦІ ВКАЗІВКИ.

ОПИС РОБОТИ

⚠ ОБЕРЕЖНО: Обов'язково переконайтеся, що прилад вимкнено, а касету з акумулятором знято, перед регулюванням або перевіркою функціонування інструмента.

Встановлення та зняття касети з акумулятором

⚠ ОБЕРЕЖНО: Завжди вимикайте інструмент перед встановленням або зняттям касети з акумулятором.

⚠ ОБЕРЕЖНО: Під час встановлення або зняття касети з акумулятором слід міцно тримати інструмент та касету з акумулятором. Якщо ви утримуватимете інструмент та касету з акумулятором недостатньо міцно, вони можуть вислизнути з рук, що може призвести до пошкодження інструмента та касети з акумулятором або може спричинити травми.

► **Рис. 1:** 1. Червоний індикатор 2. Кнопка 3. Касета з акумулятором

Щоб зняти касету з акумулятором, слід витягнути її з інструмента, натиснувши на кнопку в передній частині касети.

Щоб установити касету з акумулятором, слід сумістити виступ на касеті з акумулятором із пазом у корпусі й вставити касету на місце. Вставляйте її до кінця, щоб вона зафіксувалася з легким клацанням. Якщо ви бачите червоний індикатор, як показано на рисунку, її не зафіксовано повністю.

⚠ ОБЕРЕЖНО: Завжди вставляйте касету з акумулятором повністю, щоб червоний індикатор не було видно. Якщо цього не зробити, касета може випадково випасти з інструмента та завдати травми вам або людям, що знаходяться поряд.

⚠ ОБЕРЕЖНО: Не встановлюйте касету з акумулятором із зусиллям. Якщо касета не вставляється легко, то це означає, що ви її неправильно вставляєте.

Відображення залишкового заряду акумулятора

Натисніть кнопку перевірки на касеті з акумулятором для відображення залишкового ресурсу акумулятора. Індикаторні лампи загоряться на кілька секунд.

► **Рис. 2:** 1. Індикаторні лампи 2. Кнопка перевірки

Індикаторні лампи			Залишковий ресурс
Горить	Вимк.	Блимає	
■ ■ ■ ■	□	□	від 75 до 100%
■ ■ ■ □	□	□	від 50 до 75%
■ ■ □ □	□	□	від 25 до 50%
■ □ □ □	□	□	від 0 до 25%
■ □ □ □	□	□	Зарядіть акумулятор.
■ ■ □ □	□	□	Можливо, акумулятор вийшов з ладу.
□ □ ■ ■	□	□	

ПРИМІТКА: Залежно від умов використання та температури оточуючого середовища показання можуть незначним чином відрізнитися від дійсного ресурсу.

ПРИМІТКА: Перша (дальня ліва) індикаторна лампа блимає під час роботи захисної системи акумулятора.

Система захисту інструмента/ акумулятора

Інструмент оснащено системою захисту інструмента/ акумулятора. Ця система автоматично вимикає живлення двигуна з метою збільшення терміну служби інструмента та акумулятора. Інструмент автоматично зупиняється під час роботи, якщо інструмент або акумулятор перебувають у зазначених нижче умовах.

Захист від перевантаження

Якщо акумулятор використовується в умовах надмірного споживання струму, він автоматично вимикається без будь-якого попередження. У такому разі вимкніть інструмент і припиніть роботу, під час виконання якої інструмент зазнав перевантаження. Щоб перезапустити інструмент, увімкніть його знову.

Захист від перегрівання

Коли інструмент або акумулятор перегрівається, інструмент зупиняється автоматично. У такому випадку дозвольте інструменту й акумулятору охолонути, перш ніж знову вмикати інструмент.

ПРИМІТКА: У разі перегріву інструмента починає блимати лампа.

Захист від надмірного розрядження

Коли заряд акумулятора стає недостатнім для подальшої роботи, інструмент автоматично зупиняється. У такому випадку вийміть акумулятор з інструмента та зарядіть його.

Захист від інших неполадок

Система захисту також забезпечує захист від інших неполадок, які можуть призвести до пошкодження інструмента, і забезпечує автоматичне зупинення інструмента. У разі тимчасової зупинки або припинення роботи інструмента виконайте всі зазначені нижче дії для усунення причини зупинки.

1. Вимкніть і знову увімкніть інструмент, щоб перезапустити його.
2. Зарядіть акумулятор(-и) або замініть його(їх) зарядженим(-и).
3. Дайте інструменту й акумулятору(-ам) охолонути.

Якщо після відновлення вихідного стану системи захисту ситуація не зміниться, зверніться до місцевого сервісного центру Makita.

Дія вимикача

▲ПОПЕРЕДЖЕННЯ: Перед тим як вставляти касету з акумулятором в інструмент, обов'язково перевірте, чи курок вимикача спрацьовує належним чином та повертається у положення «ВИМК.», коли його відпускають.

► Рис.3: 1. Курок вимикача

Щоб увімкнути інструмент, просто натисніть на курок вимикача. Швидкість інструмента зростає, якщо збільшити тиск на курок вимикача. Щоб зупинити роботу, відпустіть курок вимикача.

Увімкнення переднього підсвічування

► Рис.4: 1. Лампа

▲ОБЕРЕЖНО: Не дивіться на світло або безпосередньо на джерело світла.

Натисніть на курок вимикача, щоб увімкнути підсвічування. Лампа світиться, поки курок вимикача натиснуто. Підсвічування згасне приблизно за 10 секунд після відпускання курка вимикача.

▲ОБЕРЕЖНО: Якщо лампа блимає й гасне через кілька секунд, це означає, що функція розпізнавання активного зворотного зв'язку не працює належним чином. Зверніться до місцевого сервісного центру компанії Makita для проведення ремонту.

ПРИМІТКА: Для очищення скла лампи підсвічування протріть її сухою тканиною. Будьте обережні, щоб не подряпати скло лампи підсвічування, тому що це погіршить освітлювання.

ПРИМІТКА: Передню лампу не можна використовувати, якщо на інструмент встановлено систему збирання пилу (додаткове приладдя).

Робота перемикача реверсу

► Рис.5: 1. Важіль перемикача реверсу

▲ОБЕРЕЖНО: Перед початком роботи обов'язково перевіряйте напрям обертання.

▲ОБЕРЕЖНО: Перемикач реверсу можна використовувати тільки після повної зупинки інструмента. Зміна напрямку обертання до повної зупинки інструмента може призвести до його пошкодження.

▲ОБЕРЕЖНО: Коли інструмент не використовується, важіль перемикача реверсу повинен знаходитися в нейтральному положенні.


Цей інструмент обладнано перемикачем реверсу для зміни напрямку обертання. Для обертання за годинниковою стрілкою пересуньте важіль перемикача реверсу в положення А, проти годинникової стрілки — у положення В. Коли важіль перемикача реверсу перебуває в нейтральному положенні, курок вимикача не можна натиснути.

Вибір режиму роботи

УВАГА: Забороняється повертати ручку зміни режиму роботи, коли інструмент працює. Інструмент може пошкодитися.

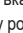
УВАГА: Для запобігання швидкому зносові механізму зміни режиму слід перевіряти, щоб ручка зміни режиму завжди була переключена в один із трьох режимів роботи.

Обертання з відбиванням

Для свердління бетону, кладки тощо поверніть ручку зміни режиму роботи, щоб вона вказувала на символ , утримуючи натиснутою кнопку розблокування на ручці. Використовуйте свердло з наконечником із карбіду вольфраму (додаткове приладдя).


► Рис.6: 1. Обертання з відбиванням 2. Ручка зміни режиму роботи 3. Кнопка розблокування

Тільки обертання

Для свердління дерева, металу або пластмаси поверніть ручку зміни режиму роботи, щоб вона вказувала на символ , утримуючи натиснутою кнопку розблокування на ручці. Використовуйте спіральне свердло або свердло для деревини.

► Рис.7: 1. Тільки обертання

Тільки відбивання

Для виконання операцій із довбання, шкребіння або демонтажу поверніть ручку зміни режиму роботи, щоб вона вказувала на символ , утримуючи натиснутою кнопку розблокування на ручці. Використовуйте пірамідальне долото, слюсарне зубило, зубило для довбання тощо.

► Рис.8: 1. Тільки відбивання

Додаткове обладнання

▲ОБЕРЕЖНО: Підвішуючи інструмент за допомогою пристрою для підвішування, завжди знімайте акумулятор.

▲ОБЕРЕЖНО: Ніколи не підвішуйте інструмент за скобу високо й не залишайте його на потенційно нестійкій поверхні.

Скобу зручно використовувати для тимчасового підвішування інструмента.

Перш ніж установити гачок, зніміть гумову заглушку з отворів під гвинти в монтажному кронштейні. Вставте під кронштейн пластинчасті шайби та закріпіть гачок гвинтами.

► **Рис.9:** 1. Гумова заглушка 2. Монтажний кронштейн 3. Пластинчасті шайби 4. Гачок 5. Гвинти

Щоб скористатися гачком, підніміть його ріг, щоб він зафіксувався у відкритому положенні.

Коли гачок не використовується, слід скласти його в закрите положення.

► **Рис.10:** 1. Скоба 2. Відкрите положення 3. Закрите положення

► **Рис.11**

Під'єднання стропа (страхувального ременя) до гачка

▲ОБЕРЕЖНО: Не використовуйте пошкоджений гачок і гвинти. Перед початком роботи проведіть огляд і переконайтеся в тому, що на інструменті відсутні пошкодження, тріщини або деформації, а також у тому, що гвинти затягнуто.

▲ОБЕРЕЖНО: Переконайтеся в тому, що гачок надійно затягнуто гвинтами.

▲ОБЕРЕЖНО: Не встановлюйте та не виймайте будь-які аксесуари, якщо інструмент підвішений за гачок. Інструмент може власти, якщо гвинти не затягнуто.

▲ОБЕРЕЖНО: Завжди використовуйте муфтований карабін (універсальний та з гвинтовим затискачем) і прикріплюйте строп (страхувальний ремінь) до частини гачка з подвійною петлею. Неправильне прикріплення може призвести до падіння інструмента з гачка й травми.

Гачок також використовується для під'єднання стропа (страхувального ременя). Під'єднайте строп (страхувальний ремінь) до частини гачка з подвійною петлею.

► **Рис.12:** 1. Частина гачка з подвійною петлею 2. Строп (страхувальний ремінь) 3. Муфтований карабін (універсальний і з гвинтовим затискачем)

Правила техніки безпеки під час під'єднання стропа (страхувального ременя) до гачка

▲Інструкції з техніки безпеки робіт на висоті Ознайомтеся з усіма застереженнями стосовно техніки безпеки й інструкціями. Недотримання відповідних застережень й інструкцій може призвести до тяжких травм.

1. Під час виконання робіт на висоті обов'язково користуйтеся страхувальним ременем для фіксації інструмента. Максимальна довжина стропа становить 2 м. Максимальна допустима висота падіння для стропа (страхувального ременя) не повинна перевищувати 2 м.
2. Із цим інструментом слід використовувати тільки спеціальні стропи, розраховані на вагу щонайменше 8,0 кг.
3. Не прикріплюйте строп інструмента до елементів одягу або до рухомих деталей. Прикріпіть строп інструмента до жорсткої конструкції, яка може витримати вагу інструмента, що падає.
4. Перед використанням переконайтеся в тому, що строп надійно закріплено з кожного кінця.
5. Перевіряйте інструмент і строп перед кожним використанням на справність і відсутність пошкоджень (зокрема, стан тканини й швів). Не використовуйте пошкоджене або несправне приладдя.
6. Не огортайте стропа навколо предметів із гострими або зазубленими краями й не допускайте контакту стропів із такими предметами.
7. Прикріпіть інший кінець стропа за межами робочої зони таким чином, щоб інструмент, що падає, надійно фіксувався.
8. Прикріпіть строп таким чином, щоб у разі падіння інструмент рухався в протилежному від оператора напрямку. Інструменти, що впади, розгойдуватимуться на стропах, що може призвести до травми або втрати балансу.
9. Не використовувати поблизу рухомих частин або обладнання, що працює. Недотримання цієї вимоги може призвести до механічних пошкоджень або заплутування.
10. Не переносьте інструмент, тримаючись за крипильне пристосування або строп.
11. Перекладайте інструмент з однієї руки в іншу тільки перебуваючи в стійкому положенні.
12. Прикріплюючи стропа до інструмента, стежте за тим, щоб вони не перешкождали нормальній роботі перемикачів або механізмів блокування курка (якщо входить до комплекту).
13. Не допускайте заплутування в стропах.
14. Тримайте строп на відстані від зони свердління інструмента.

15. Використовуйте муфтований карабін (універсальний і з гвинтовим затискачем). Не використовуйте карабіни однобічної дії з пружинним фіксатором.
16. Інструмент, що впав, слід позначити, припинити його експлуатацію й відправити на завод або до авторизованого сервісного центру Makita для перевірки.

Обмежувач моменту

УВАГА: Відразу після спрацювання обмежувача моменту інструмент слід негайно вимикати. Це допоможе запобігти передчасному зносу інструмента.

УВАГА: Свердла, які легко защемляються або застрягають в отворі (наприклад, кільцева пила), не підходять для використання з цим інструментом. Це призведе до занадто частого спрацювання обмежувача моменту.

Обмежувач моменту спрацює, коли досягнуто момент певної величини. Двигун відключає зчеплення з вихідним валом. Коли це трапляється, свердло перестає обертатись.

Електронні функції

Для полегшення роботи інструмент обладнано електронними функціями.

- Електричне гальмо
Цей інструмент обладнано електричним гальмом. Якщо після відпускання курка вмикача не відбувається швидкого припинення роботи інструмента, зверніться до сервісного центру Makita для обслуговування інструмента.
- Контроль постійної швидкості
Функція контролю швидкості забезпечує постійну швидкість обертання, незалежно від умов навантаження.
- Функція розпізнавання активного зворотного зв'язку
Якщо під час роботи інструмент різко коливається за заданого прискорення, двигун примусово зупиняється для зменшення навантаження на зап'ясток.

ПРИМІТКА: Ця функція не працює, якщо під час коливання інструмента не було досягнуто заданого прискорення.

ПРИМІТКА: Якщо під час обколювання, шкребіння або демонтажу наконечник різко коливається за заданого прискорення, двигун примусово зупиняється. У такому разі відпустіть курок вмикача, а потім знову натисніть на нього, щоб перезапустити інструмент.

ЗБОРКА

⚠ОБЕРЕЖНО: Обов'язково переконайтеся, що прилад вимкнено, а касету з акумулятором знято, перш ніж проводити будь-які роботи з інструментом.

Бокова рукоятка (допоміжна ручка)

⚠ОБЕРЕЖНО: Для забезпечення безпечної експлуатації обов'язково використовуйте бокову рукоятку.

⚠ОБЕРЕЖНО: Після встановлення або регулювання бокової рукоятки переконайтеся в тому, що бокову рукоятку надійно зафіксовано, а її фіксувальні виступи повністю ввійшли в установні вирізи на корпусі редуктора.

Для встановлення бокової рукоятки виконайте зазначені нижче дії.

1. Послабте гвинт із накатаною головкою на боковій рукоятці. Потім установіть бокову рукоятку на шийку корпусу редуктора.

► **Рис.13:** 1. Бокова рукоятка 2. Гвинт із накатаною головкою 3. Шийка корпусу редуктора 4. Фіксувальний виступ 5. Установний виріз

Кріпильне кільце можна розширити, притиснувши донизу гвинт із накатаною головкою, щоб кільце можна було легко встановити й надійно зафіксувати на шийці корпусу редуктора.

► **Рис.14:** 1. Гвинт із накатаною головкою 2. Кріпильне кільце

2. Затягніть гвинт із накатаною головкою, щоб зафіксувати рукоятку під потрібним кутом.

Масило

Додаткове обладнання

Заздалегідь змастіть свердло невеликою кількістю мастила (приблизно 0,5—1 г).

Таке змащення патрона забезпечує гладку роботу та довший термін служби.

Установлення й зняття свердла

Очистіть свердло та нанесіть мастило, перш ніж встановлювати його.

► **Рис.15:** 1. Хвостовик 2. Мастило

Вставте хвостовик свердла в патрон і продовжуйте вставляти його глибше до упору, повертаючи свердло рукою, щоб надійно закріпити хвостовик у прорізі патрона.

Після встановлення свердла переконайтеся в його надійній фіксації, зробивши спробу витягнути його.

► **Рис.16:** 1. Свердло 2. Патрон

Щоб зняти свердло, натисніть униз кришку патрона до упору й витягніть свердло.

► **Рис.17:** 1. Свердло 2. Кришка патрона

Кут долота (під час довбання, шкребіння або демонтажу)

Долото можна закріпити під необхідним кутом. Установіть ручку зміни режиму роботи, щоб вона вказувала на символ O, а потім поверніть долото, встановивши його під потрібним кутом.

► **Рис.18:** 1. Ручка зміни режиму роботи 2. Символ O

Поверніть ручку зміни режиму роботи, щоб вона вказувала на символ T. Перевірте надійність фіксації долота, зробивши спробу повернути його рукою.

Обмежувач глибини

Обмежувач глибини зручно використовувати для свердління отворів однакової глибини. Натисніть кнопку блокування її, утримуючи її, вставте обмежувач глибини в шестиграний отвір. Переконайтеся в тому, що обмежувач глибини розташований зазубреною стороною до зубчастої позначки на шестигранному отворі.

► **Рис.19:** 1. Обмежувач глибини 2. Кнопка блокування 3. Шестиграний отвір 4. Зазубрена сторона 5. Зубчаста позначка

Відрегулюйте положення обмежувача глибини, порушивши його назад і вперед, натискаючи в цей момент кнопку блокування. Відрегулювавши обмежувач, відпустіть кнопку блокування, щоб зафіксувати його.

ПРИМІТКА: Переконайтеся, що під час установлення обмежувача глибини не торкається корпусу інструмента.

Система збирання пилу

Додаткове обладнання

Установлення

1. Зніміть кришку повітряного каналу з корпусу двигуна, піднявши запірний виступ в положення розблокування.

► **Рис.20:** 1. Кришка повітряного каналу 2. Запірний виступ

2. Установіть інструмент на систему збирання пилу, вставивши в напрямні пази, розташовані на нижній поверхні корпусу редуктора, напрямні рейки верхньої поверхні системи збирання пилу до фіксації з клацанням.

► **Рис.21:** 1. Направні пази 2. Направні рейки 3. Система збирання пилу

Демонтаж

1. Зніміть інструмент із системи збирання пилу, просуваючи його по напрямних й утримуючи натиснутою кнопку розблокування на системі збирання пилу.

► **Рис.22:** 1. Система збирання пилу 2. Кнопка розблокування

2. Установіть на корпус редуктора кришку повітряного каналу, пересуваючи її по напрямних пазах до фіксації з клацанням.

► **Рис.23:** 1. Кришка повітряного каналу 2. Направні пази

УВАГА: Обов'язково встановіть кришку повітряного каналу назад на повітряний канал після від'єднання системи збирання пилу від інструмента. Використання інструмента без установлення на місце кришки повітряного каналу може негативно вплинути на його роботу.

Регулювання положення сопла системи збирання пилу

Пересувайте напрямну сопла, утримуючи натиснутою кнопку регулювання напрямної, після чого відпустіть кнопку в тому положенні, де кінчик свердла розташований трохи позаду передньої поверхні сопла.

► **Рис.24:** 1. Напрямна 2. Кнопка регулювання напрямної 3. Кінчик свердла 4. Передня поверхня сопла

ПРИМІТКА: Перш ніж регулювати положення сопла, натисніть кнопку регулювання напрямної, щоб зняти напруження напрямної сопла й установити її в повністю висунутому положенні.

Регулювання глибини свердління

Глибину свердління можна регулювати, змінюючи відстань між кнопкою регулювання глибини та заднім кінцем напрямної сопла. Посуньте кнопку регулювання глибини в потрібне положення, утримуючи її натиснутою.

► **Рис.25:** 1. Кнопка регулювання глибини 2. Напрямна сопла 3. Діапазон глибини свердління

Зберігання

УВАГА: Якщо інструмент не використовувався протягом певного часу, напрямну сопла слід висунути приблизно на 100 мм відносно її максимально прибраного положення. Недотримання цієї вимоги може призвести до пошкодження шланга повітряного каналу, встановленого в напрямній сопла.

► **Рис.26:** 1. Кнопка регулювання напрямної 2. Прибл. 100 мм

Пилозахисний ковпачок

Додаткове обладнання

Використовуйте пилозахисний ковпачок для запобігання падінню пилу на інструмент та на себе під час свердління. Установіть пилозахисний ковпачок на свердло, як показано на малюнку. Розміри свердел, на які можна встановлювати пилозахисний ковпачок такі.

модель	Діаметр свердла
Пилозахисний ковпачок 5	6 — 14,5 мм
Пилозахисний ковпачок 9	12 — 16 мм

► **Рис.27:** 1. Пилозахисний ковпачок

Комплект пилозахисних ковпачків

Додаткове обладнання

⚠ОБЕРЕЖНО: Перед установленням і зняттям блока пилозахисного ковпачка витягніть з інструмента свердло.

Установлення

Установіть блок пилозахисного ковпачка на шийку корпусу редуктора таким чином, щоб символ \triangle на пилозахисному ковпачку був розташований навпроти однієї з канавок на циліндричній частині інструмента. Візьміться за з'єднувальний елемент блока пилозахисного ковпачка і натягніть його на циліндричну частину інструмента, щоб зафіксувати.

► **Рис.28:** 1. Блок пилозахисного ковпачка 2. З'єднувальний елемент 3. \triangle символ 4. Канавка

ПРИМІТКА: Якщо необхідно підключити пилюсос до комплекту пилозахисних ковпачків, зніміть ковпачок перед підключенням.

► **Рис.29:** 1. Пилозахисний ковпачок

Демонтаж

Натисніть кришку патрона донизу до крайнього положення й витягніть свердло.

► **Рис.30:** 1. Свердло 2. Кришка патрона

Візьміться за з'єднувальний елемент блока пилозахисного ковпачка і зніміть його з інструмента.

► **Рис.31:** 1. З'єднувальний елемент

ПРИМІТКА: Якщо з блока пилозахисного ковпачка зіскочить кришка, встановіть її на місце.

1. Від'єднайте гофровану трубку від з'єднувального елемента блока пилозахисного ковпачка.

► **Рис.32:** 1. Гофровані трубки 2. З'єднувальний елемент

2. Установіть кришку на місце стороною з написом догори.

► **Рис.33:** 1. Кришка 2. Сторона з написом 3. Канавки 4. Виступи по краю верхнього отвору 5. З'єднувальний елемент

3. Переконайтеся, що канавки по краю кришки надійно з'єднані з виступами по краю верхнього отвору з'єднувального елемента.

► **Рис.34**

РОБОТА

⚠ОБЕРЕЖНО: Обов'язково використовуйте бокову рукоятку (допоміжна ручка) та міцно тримайте інструмент за бокову рукоятку та ручку з вимикачем під час роботи.

⚠ОБЕРЕЖНО: Перед початком роботи переконайтеся, що робочі деталі надійно зафіксовані.

⚠ОБЕРЕЖНО: Не витягайте інструмент силоміць, навіть якщо наконечник застряг. Втрата контролю над інструментом може призвести до травмування.

⚠ОБЕРЕЖНО: Система збирання пилу призначена лише для свердління бетону. Не використовуйте систему збирання пилу для свердління металу або деревини.

⚠ОБЕРЕЖНО: Під час використання інструмента із системою збирання пилу обов'язково приєднуйте до неї фільтр, щоб уникнути вдихання пилу.

⚠ОБЕРЕЖНО: Перш ніж використовувати систему збирання пилу, переконайтеся, що фільтр не пошкоджено. Невиконання цієї умови може призвести до вдихання пилу.

⚠ОБЕРЕЖНО: Система збирання пилу на високій швидкості збирає пил, що утворюється, але вона може зібрати не весь пил.

УВАГА: Якщо інструмент протягом тривалого часу працює на низькій швидкості, двигун перевантажується, що призводить до порушень у роботі інструмента.

УВАГА: Не використовуйте систему збирання пилу для колонкового свердління або довбання.

УВАГА: Не використовуйте систему збирання пилу для свердління вологого бетону чи для свердління у вологому середовищі. Невиконання цієї умови може призвести до несправності системи.

ПРИМІТКА: За низької температури касети з акумулятором продуктивність інструмента може зменшитися. У такому випадку підігрійте касету з акумулятором, на деякий час вимкнувши інструмент без навантаження, доки продуктивність не зросте до потрібного значення.

► **Рис.35**

Робота в режимі ударного свердління

⚠ОБЕРЕЖНО: Під час пробивання отвору до інструмента/свердла прикладається величезне зусилля, коли отвір забувається уламками та частинками або у разі удару свердла об арматуру в бетоні. **Обов'язково використовуйте бокову рукоятку (допоміжна ручка) та міцно тримайте інструмент за бокову рукоятку та ручку з вимикачем під час роботи.** Недотримання цієї вимоги може призвести до втрати контролю над інструментом та важкого травмування.


Встановіть режим роботи, повернувши ручку, щоб вона вказувала на символ TA .

Приставте свердло до місця, у якому необхідно зробити отвір, а потім натисніть на курок вмикача. Не прикладайте силу до інструмента. Невеликий тиск забезпечує найліпші результати. Тримайте інструмент у належному положенні та не давайте йому вискочити з отвору.

Не збільшуйте тиск, коли отвір забувається уламками та частинками. Натомість прокрутіть інструмент на холостому ходу, а потім частково вийміть свердло з отвору. Якщо це зробити декілька разів, отвір очиститься, і можна буде продовжити нормальне свердління.

ПРИМІТКА: Якщо інструмент працює без навантаження, під час роботи може спостерігатись ексцентричність в обертанні свердла. Під час роботи інструмент автоматично центрується. На точність свердління це не впливає.

Довбання/Шкрібіння/Демонтаж

Встановіть режим роботи, повернувши ручку, щоб вона вказувала на символ . Міцно тримайте інструмент обома руками. Увімкнувши інструмент, злегка натисніть на нього, щоб він безконтрольно не хитався. Сильне натискання на інструмент не підвищує ефективності.

► Рис.36

Свердління деревини або металу


⚠ОБЕРЕЖНО: Слід тримати інструмент міцно та бути обережним, коли свердло починає входити в оброблювану деталь. Під час пробивання отвору до інструмента/свердла прикладається величезне зусилля.

⚠ОБЕРЕЖНО: Свердло, яке застрягло, можна легко видалити, встановивши важіль перемикача реверсу на зворотний напрямок обертання, щоб отримати задній хід. Але якщо інструмент не тримати міцно, він може різко відскочити.

⚠ОБЕРЕЖНО: Оброблювану деталь обов'язково необхідно затискати в лещатах або подібному пристрої фіксації.

УВАГА: Ніколи не використовуйте «обертання з відбійною дією», коли на інструменті встановлений патрон свердла. Патрон свердла може бути пошкоджений. Патрон свердла також знімається, якщо ввімкнути зворотний хід.

УВАГА: Прикладання до інструмента надмірного тиску не пришвидшує свердління. Насправді надмірний тиск може лише пошкодити свердло, погіршити характеристики інструмента та скоротити термін його експлуатації.

Поверніть ручку зміни режиму роботи, щоб вона вказувала на символ .

Установлення комплексу патрона свердла

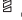
Додаткове обладнання

Прикріпіть адаптер патрона до патрона свердла, що не потребує ключа, у який можна вставити гвинт розміром 1/2"-20, і встановіть його в інструмент. Докладні відомості про встановлення адаптера в патрон наведено в інструкціях зі встановлення свердла.

► Рис.37: 1. Патрон свердла, що не потребує ключа 2. Адаптер патрона

Свердління алмазним свердлом

УВАГА: Якщо свердління виконується алмазним свердлом у режимі «обертання з відбиванням», то свердло з алмазним осердям може бути пошкоджено.

Під час свердління свердлом з алмазним осердям слід завжди пересувати ручку зміни режиму роботи в положення  для використання режиму «тільки обертання».

Очищення фільтра від пилу

Додаткове обладнання

⚠ОБЕРЕЖНО: Не повертайте диск на корпусі для збору пилу, якщо корпус від'єднано від системи збирання пилу. Це може призвести до вдихання пилу.

⚠ОБЕРЕЖНО: Завжди вимикайте інструмент, перш ніж повернути диск на корпусі для збору пилу. Повертання цього диска під час роботи інструмента може призвести до втрати контролю над інструментом.

Завдяки очищенню фільтра від пилу всередині корпусу для збору пилу можна підтримувати ефективність очищення пирососом на належному рівні й знизити кількість операцій із видалення пилу. Повертайте диск на корпусі для збору пилу три рази після збору кожних 50 000 мм³ пилу або коли вважаєте, що якість очищення пирососом знизилася.

ПРИМІТКА: 50 000 мм³ пилу відповідає свердлінню 10 отворів ø 10 мм і глибиною 65 мм.

► Рис.38: 1. Корпус для збору пилу 2. Диск

Видалення пилу

Додаткове обладнання

⚠ОБЕРЕЖНО: Обов'язково переконайтеся, що прилад вимкнено, а касету з акумулятором знято, перш ніж проводити будь-які роботи з інструментом.

⚠ОБЕРЕЖНО: Обов'язково надівайте пилозахисну маску, коли видаляєте пил.

⚠ОБЕРЕЖНО: Регулярно спорожнюйте коробку для пилу, перш ніж вона наповниться. Невиконання цієї умови може призвести до погіршення якості роботи системи збирання пилу та до вдихання пилу.

⚠ОБЕРЕЖНО: Якість роботи системи збирання пилу погіршується, якщо засмічується фільтр коробки для пилу. Замініть фільтр новим приблизно після 200 разів виконання роботи (рекомендація). Невиконання цієї умови може призвести до вдихання пилу.

1. Зніміть корпус для збору пилу, натиснувши важіль фіксатора корпусу для збору пилу.

► Рис.39: 1. Важіль фіксатора

2. Підніміть запірний виступ трохи назовні й відкрийте кришку корпусу для збору пилу.

► Рис.40: 1. Кришка корпусу для збору пилу
2. Запірний виступ

3. Видаліть пил, а потім очистьте фільтр.

► Рис.41

УВАГА: Під час очищення фільтра злегка торкніться корпусу фільтра рукою для видалення пилу. Не торкайтеся безпосередньо фільтра; не торкайтеся фільтра щіткою або аналогічними пристроями й не направляйте потік стисненого повітря на фільтр. Це може пошкодити фільтр.

Повітродувка

Додаткове обладнання

Коли отвір буде просвердлено, можна очистити його від пилу повітродувкою.

► Рис.42

Використання комплекту пилозахисних ковпачків

Додаткове обладнання

Прикріпіть комплект пилозахисних ковпачків до стелі, коли використовуєте інструмент.

► Рис.43

УВАГА: Не використовуйте комплект пилозахисних ковпачків для свердління металу або подібних матеріалів. Це може пошкодити комплект пилозахисних ковпачків унаслідок впливу тепла від дрібного металевого пилу чи подібних речовин.

УВАГА: Не встановлюйте та не знімайте комплект пилозахисних ковпачків, якщо свердло знаходиться в інструменті. Це може пошкодити комплект пилозахисних ковпачків і призвести до витoku пилу.

ФУНКЦІЯ БЕЗДРОТОВОЇ АКТИВАЦІЇ

Для чого призначена функція бездротової активації

Використання функції бездротової активації забезпечує чистоту та комфортну роботу. Після під'єднання до інструмента сумісного пиლოსоса його можна буде автоматично запускати разом з інструментом.

► Рис.44

Щоб скористатися функцією бездротової активації, підготуйте наступні компоненти:

- бездротовий модуль (додаткове обладнання);
- пиლოსос, який підтримує функцію бездротової активації.

Налаштування функції бездротової активації наведено далі. Щоб отримати докладні інструкції, зверніться до відповідного розділу.

1. Установлення бездротового модуля
2. Реєстрація інструмента для пиლოსоса
3. Увімкнення функції бездротової активації

Установлення бездротового модуля

Додаткове приладдя

▲ОБЕРЕЖНО: Під час установлення бездротового модуля розташуйте інструмент на рівній і стійкій поверхні.

УВАГА: Перед установленням бездротового модуля очистіть інструмент від пилу та бруду. Пил або бруд можуть стати причиною несправності, якщо вони потраплять у відсік бездротового пристрою.

УВАГА: Щоб уникнути несправностей, викликаних статичною електрикою, перш ніж торкатися бездротового модуля, доторкніться до деталі, яка допоможе зняти електростатичний заряд, наприклад до металеві частини інструменту.

УВАГА: Під час установлення бездротового модуля завжди стежте за тим, щоб уставляти його правильною стороною та щоб кришка відсіку була повністю закрита.

1. Відкрийте кришку на інструменті, як показано на малюнку.

► Рис.45: 1. Кришка

2. Вставте бездротовий модуль у відсік і закрийте кришку.

Під час установлення бездротового модуля сумістіть виступи із заглибленнями у відсіку.

► Рис.46: 1. Бездротовий модуль 2. Виступ 3. Кришка 4. Заглиблення

Під час вивільнення бездротового модуля відкривайте кришку повільно. Гачки на зворотному боці кришки зачеплять бездротовий модуль, якщо потягнути за кришку.

► Рис.47: 1. Бездротовий модуль 2. Гачок 3. Кришка

Після зняття бездротового модуля зберігайте його в упаковці з комплекту постачання або в контейнері, захищеному від дії статичної електрики.

УВАГА: Під час вивільнення бездротового модуля завжди використовуйте гачки на зворотному боці кришки. Якщо гачки не захопили бездротовий модуль, повністю закрийте кришку та знову повільно відкрийте її.

Реєстрація інструмента для пиლოსоса

ПРИМІТКА: Для реєстрації інструмента потрібно мати пиლოსос Makita, який підтримує функцію бездротової активації.

ПРИМІТКА: Установіть бездротовий модуль в інструмент перед початком реєстрації.

ПРИМІТКА: Під час реєстрації інструмента не натискайте курок вмикача або кнопку живлення пиლოსоса.

ПРИМІТКА: Див. також посібник з експлуатації пиლოსоса.

Для ввімкнення пілососа одночасно з інструментом спочатку виконайте реєстрацію інструмента.

1. Уставте акумулятори в пілосос та інструмент.

2. Установіть перемикач режиму очікування на пілососі в положення «АУТО».

► **Рис.48:** 1. Перемикач режиму очікування

3. Натисніть кнопку бездротової активації на пілососі та втримуйте її протягом 3 секунд, поки індикатор бездротової активації не почне блимати зеленим кольором. Потім так само натисніть кнопку бездротової активації на інструменті.

► **Рис.49:** 1. Кнопка бездротової активації
2. Індикатор бездротової активації

Якщо пілосос та інструмент з'єднані успішно, індикатори бездротової активації світитимуться зеленим світлом протягом 2 секунд, а потім почнуть блимати синім кольором.

ПРИМІТКА: Індикатори бездротової активації припинять блимати зеленим кольором за 20 секунд. Натисніть кнопку бездротової активації на інструменті, поки блимає індикатор бездротової активації на пілососі. Якщо індикатор бездротової активації не блимає зеленим, короткочасно натисніть кнопку бездротової активації, а потім знову натисніть і втримуйте її.

ПРИМІТКА: Якщо потрібно зареєструвати два або більше інструментів для одного пілососа, виконайте реєстрацію інструментів послідовно, один за одним.

Увімкнення функції бездротової активації

ПРИМІТКА: Завершіть реєстрацію інструмента для пілососа до використання бездротової активації.

ПРИМІТКА: Див. також посібник з експлуатації пілососа.

Після реєстрації інструмента пілосос вмикатиметься автоматично, коли починає працювати інструмент.

1. Установіть бездротовий модуль в інструмент.

2. З'єднайте шланг пілососа з інструментом.

► **Рис.50**

3. Установіть перемикач режиму очікування на пілососі в положення «АУТО».

► **Рис.51:** 1. Перемикач режиму очікування

4. Натисніть і відпустіть кнопку бездротової активації на інструменті. Індикатор бездротової активації почне блимати синім кольором.

► **Рис.52:** 1. Кнопка бездротової активації
2. Індикатор бездротової активації

5. Натисніть на курок вмикача інструмента. Перевірте, чи працює пілосос, коли натиснуто курок вмикача.

Щоб вимкнути бездротову активацію пілососа, натисніть кнопку бездротової активації на інструменті.

ПРИМІТКА: Індикатор бездротової активації на інструменті припинить блимати синім, якщо він не використовується протягом 2 годин. У цьому випадку встановіть перемикач режиму очікування на пілососі в положення «АУТО» та знову натисніть кнопку бездротової активації на інструменті.

ПРИМІТКА: Пілосос вмикається та зупиняється із затримкою. Існує затримка, коли пілосос визначає перемикач інструмента в робочий режим.










ПРИМІТКА: Дальність передачі бездротового модуля змінюється в залежності від місця розташування й навколишніх умов.

ПРИМІТКА: Якщо для одного пілососа зареєстровано два або більше інструментів, пілосос може почати працювати, навіть якщо не натиснуто курок вмикача, коли інший користувач застосує функцію бездротової активації.

Опис стану індикатора бездротової активації

► Рис.53: 1. Індикатор бездротової активації

Індикатор бездротової активації відображає стан функції бездротової активації. Значення стану індикатора див. у таблиці нижче.

Стан	Індикатор бездротової активації				Опис
	Колір	 Увімк.	 Блимає	Тривалість	
Режим очікування	Синій			2 години	Доступна бездротова активація пилососа. Індикатор автоматично вимкнеться, якщо протягом 2 годин не буде виконуватися ніяка операція.
				Коли інструмент працює.	Доступна бездротова активація пилососа, інструмент працює.
Реєстрація інструмента	Зелений			20 секунд	Готовність до реєстрації інструмента. Очікування реєстрації пилососом.
				2 секунди	Реєстрація інструмента завершена. Індикатор бездротової активації починає блимати синім кольором.
Скасування реєстрації інструмента	Червоний			20 секунд	Готовність до скасування реєстрації інструмента. Очікування скасування пилососом.
				2 секунди	Скасування реєстрації інструмента завершено. Індикатор бездротової активації починає блимати синім кольором.
Інше	Червоний			3 секунди	На бездротовий модуль подається живлення, функція бездротової активації вмикається.
		Вимк.	—	—	Бездротова активація пилососа вимкнена.

Скасування реєстрації інструмента для пилососа

Виконайте наступні дії, щоб скасувати реєстрацію інструмента для пилососа.

1. Уставте акумулятори в пилосос та інструмент.
2. Установіть перемикач режиму очікування на пилососі в положення «АУТО».

► Рис.54: 1. Перемикач режиму очікування

3. Натискайте кнопку бездротової активації на пилососі протягом 6 секунд. Індикатор бездротової активації почне блимати зеленим, а потім загориться червоним кольором. Після цього так само натисніть кнопку бездротової активації на інструменті.

► Рис.55: 1. Кнопка бездротової активації 2. Індикатор бездротової активації

Якщо скасування виконано успішно, індикатори бездротової активації світитимуться червоним світлом протягом 2 секунд, а потім почнуть блимати синім кольором.

ПРИМІТКА: Індикатори бездротової активації припинять блимати червоним кольором за 20 секунд. Натисніть кнопку бездротової активації на інструменті, поки блимає індикатор бездротової активації на пилососі. Якщо індикатор бездротової активації не блимає червоним, короткочасно натисніть кнопку бездротової активації, а потім знову натисніть і втримуйте її.

Усунення несправностей функції бездротової активації

Перш ніж звертатися з приводу ремонту інструмента, проведіть його перевірку самостійно. У разі виявлення несправності, яку не описано в цьому посібнику, не намагайтеся розібрати інструмент. Натомість зверніться до авторизованих сервісних центрів Makita та використовуйте для ремонту тільки запасні частини виробництва компанії Makita.

Стан відхилення від норми	Можлива причина (несправність)	Спосіб виправлення
Індикатор бездротової активації не світиться або не блимає.	Бездротовий модуль не встановлено в інструмент. Бездротовий модуль встановлено в інструмент неправильно.	Установіть бездротовий модуль.
	Контакти бездротового модуля або роз'єм забруднені.	Акуратно витріть пил і бруд на контактах бездротового модуля та очистіть роз'єм.
	Кнопку бездротової активації на інструменті не натиснуто.	Натисніть і відпустіть кнопку бездротової активації на інструменті.
	Перемикач режиму очікування на пилососі не встановлено в положення «АУТО».	Установіть перемикач режиму очікування на пилососі в положення «АУТО».
	Відсутнє живлення	Підключіть інструмент і пилосос до джерела живлення.
Неможливо успішно закінчити реєстрацію інструмента або скасувати реєстрацію інструмента.	Бездротовий модуль не встановлено в інструмент. Бездротовий модуль встановлено в інструмент неправильно.	Установіть бездротовий модуль.
	Контакти бездротового модуля або роз'єм забруднені.	Акуратно витріть пил і бруд на контактах бездротового модуля та очистіть роз'єм.
	Перемикач режиму очікування на пилососі не встановлено в положення «АУТО».	Установіть перемикач режиму очікування на пилососі в положення «АУТО».
	Відсутнє живлення	Підключіть інструмент і пилосос до джерела живлення.
	Неправильна операція	Натисніть і відпустіть кнопку бездротової активації, а потім знову виконайте процедуру реєстрації або скасування реєстрації.
	Інструмент і пилосос знаходяться далеко один від одного (за межами радіуса дії передавача).	Розташуйте інструмент і пилосос ближче один до одного. Максимальна відстань передачі складає близько 10 м, проте вона залежить від конкретних умов експлуатації.
	Перед закінченням реєстрації або скасування реєстрації інструмента: - натиснуто курок вмикача на інструменті або - натиснуто кнопку живлення на пилососі.	Натисніть і відпустіть кнопку бездротової активації, а потім знову виконайте процедуру реєстрації або скасування реєстрації.
	Процедура реєстрації для інструмента або пилососа не завершена.	Виконайте дії з реєстрації, які стосуються інструмента й пилососа, в один часовий проміжок.
	Радіоперешкоди від інших приладів, які генерують радіохвилі високої потужності.	Тримайте інструмент і пилосос подалі від приладів, як-от пристроїв Wi-Fi і мікрохвильові печі.

Стан відхилення від норми	Можлива причина (несправність)	Спосіб виправлення
Пилосос не вмикається під час роботи інструмента.	Бездротовий модуль не встановлено в інструмент. Бездротовий модуль встановлено в інструмент неправильно.	Установіть бездротовий модуль.
	Контакти бездротового модуля або роз'єм забруднені.	Акуратно витріть пил і бруд на контактах бездротового модуля та очистіть роз'єм.
	Кнопку бездротової активації на інструменті не натиснуто.	Натисніть і відпустіть кнопку бездротової активації та переконайтеся, що індикатор бездротової активації блимає синім кольором.
	Перемикач режиму очікування на пилососі не встановлено в положення «AUTO».	Установіть перемикач режиму очікування на пилососі в положення «AUTO».
	У пилососі зареєстровано понад 10 інструментів.	Виконайте реєстрацію інструмента ще раз. Якщо в пилососі зареєстровано понад 10 інструментів, дані про інструмент, який було зареєстровано найпершим, будуть автоматично вилучені.
	Пилосос випучив дані про реєстрацію всіх інструментів.	Виконайте реєстрацію інструмента ще раз.
	Відсутнє живлення	Підключіть інструмент і пилосос до джерела живлення.
	Інструмент і пилосос знаходяться далеко один від одного (за межами радіуса дії передавача).	Розташуйте інструмент і пилосос ближче один до одного. Максимальна відстань передачі складає близько 10 м, проте вона залежить від конкретних умов експлуатації.
Радіоперешкоди від інших приладів, які генерують радіохвилі високої потужності.	Тримайте інструмент і пилосос подалі від приладів, як-от пристроїв Wi-Fi і мікрохвильові печі.	
Пилосос працює, коли не натиснуто курок вмикача.	Інші користувачі застосовують функцію бездротової активації пилососа з їхніми інструментами.	Вимкніть за допомогою кнопки бездротової активації інших інструментів або скасуйте їх реєстрацію.

ТЕХНІЧНЕ ОБСЛУГОВУВАННЯ

⚠ ОБЕРЕЖНО: Перед здійсненням перевірки або обслуговування завжди перевіряйте, щоб інструмент був вимкнений, а касета з акумулятором була знята.

УВАГА: Ніколи не використовуйте газолін, бензин, розріджувач, спирт та подібні речовини. Їх використання може призвести до зміни кольору, деформації або появи тріщин.

Для забезпечення БЕЗПЕКИ та НАДІЙНОСТІ продукції, її ремонт, а також роботи з обслуговування або регулювання повинні виконуватись уповноваженими або заводськими сервісними центрами Makita із використанням запчастин виробництва компанії Makita.

Заміна фільтра коробки для пилу

Додаткове обладнання

- Зніміть корпус для збору пилу, натиснувши важіль фіксатора корпусу для збору пилу.
► **Рис.56:** 1. Важіль фіксатора
- Підніміть запірний виступ трохи назовні й відкрийте кришку корпусу для збору пилу.
► **Рис.57:** 1. Кришка корпусу для збору пилу
2. Запірний виступ
- Вставте плоску викрутку між корпусом фільтра та кришкою корпусу для збору пилу, як показано на рисунку. Притисніть всередину бічні стінки корпусу фільтра та підніміть корпус фільтра, використовуючи плоску викрутку.
► **Рис.58:** 1. Плоска викрутка 2. Корпус фільтра
3. Кришка корпусу для збору пилу
- Виштовхніть фільтр із корпусу фільтра, як показано на рисунку.
► **Рис.59:** 1. Фільтр 2. Корпус фільтра
- Установіть у корпус фільтра новий фільтр. Установіть корпус фільтра назад на корпус для збору пилу, сумістивши напрямний виступ на корпусі фільтра з канавкою в корпусі для збору пилу.
► **Рис.60:** 1. Направний виступ 2. Канавка
- Закрийте кришку корпусу для збору пилу та знову під'єднайте корпус для збору пилу до системи збирання пилу.

Заміна ущільнювальної кришки

Додаткове обладнання

Регулярно замінюйте ущільнювальну кришку, оскільки зношення чи пошкодження ущільнювальної кришки можуть негативно вплинути на ефективність всмоктування.

1. Вставте плоску викрутку, розташувачи вертикально її жало, в один із випускних отворів по боках головки насадки. Нахиліть плоску викрутку під кутом, щоб притиснути кубічний зачіп ущільнювальної кришки та виштовхнути його з призначеної для цього зачепа виїмки. Потім відірвіть гумові краї ущільнювальної кришки від країв отвору головки насадки.

► **Рис.61:** 1. Ущільнювальна кришка 2. Кубічний зачіп 3. Випускний отвір 4. Головка насадки

2. Вставте один із кубічних зачепів оновленої ущільнювальної кришки до виїмки головки насадки таким чином, щоб ущільнювальна кришка була розташована увігнутою поверхнею вперед.

► **Рис.62:** 1. Кубічні зачепи 2. Виїмки 3. Ущільнювальна кришка 4. Увігнута поверхня

3. Вставте другий зачіп до виїмки на протилежному боці головки насадки, змінивши положення ущільнювальної кришки таким чином, щоб вона щільно прилягала до головки насадки.

► **Рис.63:** 1. Ущільнювальна кришка 2. Кубічний зачіп 3. Виїмка 4. Головка насадки 5. Краї

4. Обережно накладіть гумові краї ущільнювальної кришки на краї отвору головки насадки низу догори.

► **Рис.64:** 1. Гумові краї 2. Ущільнювальна кришка 3. Головка насадки

- Комплект патрона свердла (адаптер патрона / патрон свердла)
- Мастило для свердла
- Обмежувач глибини
- Повітродувка
- Пилозахисний ковпачок
- Комплект пилозахисних ковпачків
- Комплект гаків
- Комплект пилозахисних кожухів
- Комплект фільтрів
- З'єднання
- Система збирання пилу
- Бездротовий модуль
- Захисні окуляри
- Оригінальний акумулятор та зарядний пристрій Makita

ПРИМІТКА: Деякі елементи списку можуть входити до комплекту інструмента як стандартне приладдя. Вони можуть відрізнятися залежно від країни.

ДОДАТКОВЕ ПРИЛАДДЯ

⚠ОБЕРЕЖНО: Це додаткове та допоміжне обладнання рекомендовано використовувати з інструментом Makita, зазначеним у цій інструкції з експлуатації. Використання будь-якого іншого додаткового та допоміжного обладнання може становити небезпеку травмування. Використовуйте додаткове та допоміжне обладнання лише за призначенням.

У разі необхідності отримати допомогу в більш детальному ознайомленні з оснащенням звертайтеся до місцевого сервісного центру Makita.

- Свердла з твердосплавним наконечником (свердла з твердосплавним наконечником SDS-Plus)
- Колонкове свердло
- Пірамідальне долото
- Свердло з алмазним осердям
- Слюсарне зубило
- Зубило для довбання
- Канавкове зубило

SPECIFICAȚII

Model:		HR007G
Capacități	Beton	28 mm
	Burghiu de centrare	54 mm
	Burghiu de centrare diamantat (tip uscat)	65 mm
	Oțel	13 mm
	Lemn	32 mm
Turație în gol		0 - 980 min ⁻¹
Lovituri pe minut		0 - 5.000 min ⁻¹
Tensiune nominală		36 V - 40 V cc. max
Lungime totală	cu BL4025	458 mm
	cu BL4040	473 mm
Greutate netă		3,8 - 4,8 kg

Accesorii opționale

Model:		DX15
Capacitate de aspirație		290 l/min
Cursă de funcționare		Până la 190 mm
Cap de burghiu adecvat		Până la 260 mm
Greutate netă		1,3 kg

- Datorită programului nostru continuu de cercetare și dezvoltare, specificațiile pot fi modificate fără o notificare prealabilă.
- Specificațiile pot varia în funcție de țară.
- Greutatea poate diferi în funcție de accesoriu(ii), inclusiv cartușul acumulatorului. În tabel se prezintă combinația cea mai ușoară și cea mai grea, conform Procedurii EPTA 01/2014.

Cartușul acumulatorului și încărcătorul aplicabile

Cartușul acumulatorului	BL4020* / BL4025* / BL4040* / BL4050F * : Acumulator recomandat
Încărcător	DC40RA / DC40RB / DC40RC

- Este posibil ca unele cartușe ale acumulatorilor și încărcătoare menționate mai sus să nu fie disponibile în funcție de regiunea dvs. de reședință.

⚠️ AVERTIZARE: Utilizați numai cartușele de acumulator și încărcătoarele enumerate mai sus. Utilizarea oricăror altor cartușe de acumulator și încărcătoare poate duce la rănire și/sau incendiu.

Sursă de alimentare cu conectare prin cablu recomandată

Bloc de alimentare portabil	PDC01 / PDC1200
-----------------------------	-----------------

- Este posibil ca sursa/sursele de alimentare cu conectare prin cablu menționată(e) mai sus să nu fie disponibilă(e) în funcție de regiunea dumneavoastră de reședință.
- Înainte de a utiliza sursa de alimentare cu conectare prin cablu, citiți instrucțiunile și atenționările de pe aceasta.

Destinația de utilizare

Mașina este destinată găuririi cu percuție și găuririi simple în cărămidă, beton și piatră, precum și lucrărilor de dăltuire. De asemenea, este adecvată și pentru găurirea fără percuție în lemn, metal, ceramică și plastic.

Zgomot

Nivelul de zgomot normal ponderat A determinat în conformitate cu EN60745-2-6:

Model HR007G

Nivel de presiune acustică (L_{PA}): 94 dB(A)

Nivel de putere acustică (L_{WA}): 105 dB (A)

Marjă de eroare (K): 3 dB(A)

Model HR007G cu DX15

Nivel de presiune acustică (L_{pA}): 93 dB(A)

Nivel de putere acustică (L_{WA}): 104 dB (A)

Marjă de eroare (K): 3 dB(A)

NOTĂ: Valoarea (valorile) totală(e) a (ale) emisiilor de zgomot declarate a(u) fost măsurată(e) în conformitate cu o metodă de test standard și poate (pot) fi utilizată(e) pentru compararea unei uneelte cu alta.

NOTĂ: Valoarea (valorile) totală(e) a (ale) emisiilor de zgomot declarate poate (pot) fi, de asemenea, utilizată(e) într-o evaluare preliminară a expunerii.

⚠️ AVERTIZARE: Purtați echipament de protecție pentru urechi.

⚠️ AVERTIZARE: Emisiile de zgomot în timpul utilizării efective a unelei electrice poate diferi de valoarea (valorile) nivelului declarat, în funcție de modul în care unealta este utilizată, în special ce fel de piesă este prelucrată.

⚠️ AVERTIZARE: Asigurați-vă că identificați măsurile de siguranță pentru a proteja operatorul, acestea fiind bazate pe o estimare a expunerii în condiții reale de utilizare (luând în considerare toate părțile ciclului de operare, precum timpii în care unealta a fost oprită, sau a funcționat în gol, pe lângă timpul de declanșare).

Vibrații

Următorul tabel prezintă valoarea totală a vibrațiilor (suma vectorilor tri-axiali) determinată conform standardului aplicabil.

Mod de lucru	Emisie de vibrații	Marjă de eroare (K)	Standard aplicabil
Găurire cu percuție în beton ($a_{h, HD}$)	7,5 m/s ²	1,5 m/s ²	EN60745-2-6
Găurire cu percuție în beton cu DX15 ($a_{h, HD}$)	8,1 m/s ²	1,5 m/s ²	EN60745-2-6
Funcție de dăltuire cu mână laterală ($a_{h, CHH}$)	8,6 m/s ²	1,5 m/s ²	EN60745-2-6
Găurire în metal ($a_{h, D}$)	2,8 m/s ²	1,5 m/s ²	EN60745-2-1

NOTĂ: Valoarea (valorile) totală(e) a (ale) nivelului de vibrații declarat a (au) fost măsurată(e) în conformitate cu o metodă de test standard și poate (pot) fi utilizată(e) pentru compararea unei uneelte cu alta.

NOTĂ: Valoarea (valorile) totală(e) a (ale) nivelului de vibrații declarat poate (pot) fi, de asemenea, utilizată(e) într-o evaluare preliminară a expunerii.

⚠️ AVERTIZARE: Nivelul de vibrații în timpul utilizării efective a unelei electrice poate diferi de valoarea (valorile) nivelului declarat, în funcție de modul în care unealta este utilizată, în special ce fel de piesă este prelucrată.

⚠️ AVERTIZARE: Asigurați-vă că identificați măsurile de siguranță pentru a proteja operatorul, acestea fiind bazate pe o estimare a expunerii în condiții reale de utilizare (luând în considerare toate părțile ciclului de operare, precum timpii în care unealta a fost oprită, sau a funcționat în gol, pe lângă timpul de declanșare).

Declarație de conformitate CE

Nu numai pentru țările europene

Declarația de conformitate CE este inclusă ca Anexa A în acest manual de instrucțiuni.

AVERTIZĂRI DE SIGURANȚĂ

Avertismente generale de siguranță pentru mașinile electrice

⚠️ AVERTIZARE: Citiți toate avertismentele privind siguranța, instrucțiunile, ilustrațiile și specificațiile furnizate cu această sculă electrică. Nerespectarea integrală a instrucțiunilor de mai jos poate cauza electrocutări, incendii și/sau vătămări corporale grave.

Păstrați toate avertismentele și instrucțiunile pentru consultări ulterioare.

Termenul „mașină electrică” din avertizări se referă la mașinile dumneavoastră electrice acționate de la rețea (prin cablu) sau cu acumulator (fără cablu).

AVERTISMENTE PRIVIND SIGURANȚA PENTRU CIOCANUL ARTICULAT FĂRĂ CABLU

- Purtați echipamente de protecție pentru urechi.** Expunerea la zgomot poate cauza pierderea auzului.
- Utilizați mânerul auxiliar, dacă sunt livrate cu mașina.** Pierderea controlului poate produce vătămări corporale.
- Țineți mașina electrică de suprafețele de prindere izolate atunci când efectuați o operațiune în care accesoriul de tăiere poate intra în contact cu fire ascunse.** Accesoriul de tăiere care intră în contact cu un fir aflat sub tensiune poate pune sub tensiune componentele metalice neizolate ale mașinii electrice și poate supune operatorul la șoc electric.
- Purtați o cască dură (cască de protecție), ochelari de protecție și/sau o mască de protecție.** Ochelarii obișnuiți sau ochelarii de soare NU sunt ochelari de protecție. De asemenea, se recomandă insistent să purtați o mască de protecție contra prafului și mănuși de protecție groase.
- Asigurați-vă că scula este fixată înainte de utilizare.**
- În condiții de utilizare normală, mașina este concepută să producă vibrații.** Șuruburile se pot slăbi ușor, cauzând o defecțiune sau un accident. Verificați cu atenție strângerea șuruburilor înainte de utilizare.

7. În condiții de temperatură scăzută sau dacă mașina nu a fost utilizată o perioadă mai îndelungată, lăsați-o să se încălzească un timp prin acționarea ei în gol. Această acțiune va facilita lubrifierea. Operația de percuție este dificilă fără o încălzire prealabilă corespunzătoare.
8. Păstrați-vă echilibrul. Asigurați-vă că nu se află nicio persoană dedesubt atunci când folosiți mașina la înălțime.
9. Țineți mașina ferm cu ambele mâini.
10. Țineți mâinile la distanță de piesele în mișcare.
11. Nu lăsați mașina în funcțiune. Folosiți mașina numai când o țineți cu mâinile.
12. Nu îndreptați mașina către nicio persoană din jur în timpul utilizării. Scula poate fi aruncată din mașină și poate provoca vătămări corporale grave.
13. Nu atingeți capul, piesele din apropierea capului sau piesa de prelucrat imediat după executarea lucrării; acestea pot fi extrem de fierbinți și pot provoca arsuri ale pielii.
14. Unele materiale conțin substanțe chimice care pot fi toxice. Aveți grijă să nu inhalați praful și evitați contactul cu pielea. Respectați instrucțiunile de siguranță ale furnizorului.
15. Asigurați-vă întotdeauna că mașina este oprită, iar cartușul acumulatorului și capul sunt scoase înainte de a preda mașina unei alte persoane.
16. Înainte de punerea în funcțiune, asigurați-vă că nu există obiecte îngropate în zona de lucru, precum tuburi pentru instalația electrică, conducte de apă sau de gaz. În caz contrar, capul de burghiu/dalta poate să le atingă, cauzând un șoc electric, pierderi de energie electrică sau scurgeri de gaz.
17. Nu acționați unealta în gol în mod inutil.

PĂSTRAȚI ACESTE INSTRUCȚIUNI.

⚠️ AVERTIZARE: NU permiteți comodității și familiarizării cu produsul (obținute prin utilizare repetată) să înlocuiască respectarea strictă a normelor de securitate pentru acest produs. FOLOSIREA INCORECTĂ sau nerespectarea normelor de securitate din acest manual de instrucțiuni poate provoca vătămări corporale grave.

Instrucțiuni importante privind siguranța pentru cartușul acumulatorului

1. Înainte de a folosi cartușul acumulatorului, citiți toate instrucțiunile și atenționările de pe (1) încărcătorul acumulatorului, (2) acumulator și (3) produsul care folosește acumulatorul.
 2. Nu dezasamblați și nu interveniți asupra cartușului acumulatorului. Acest lucru poate cauza incendii, căldură excesivă sau explozii.
 3. Dacă timpul de funcționare s-a redus excesiv, întrerupeți imediat funcționarea. Aceasta poate prezenta risc de supraîncălzire, posibile arsuri și chiar explozie.
4. Dacă electrolitul pătrunde în ochi, clătiți bine ochii cu apă curată și consultați imediat un medic. Există risc de orbire.
 5. Nu scurtcircuitați cartușul acumulatorului:
 - (1) Nu atingeți bornele cu niciun material conductor.
 - (2) Evitați depozitarea cartușului acumulatorului la un loc cu alte obiecte metalice cum ar fi cuie, monede etc.
 - (3) Nu expuneți cartușul acumulatorului la apă sau ploaie.
 Un scurtcircuit al acumulatorului poate provoca un flux puternic de curent electric, supraîncălzire, posibile arsuri și chiar defectarea mașinii.
 6. Nu depozitați și nu utilizați mașina și cartușul acumulatorului în locuri în care temperatura poate atinge sau depăși 50 °C (122 °F).
 7. Nu incinerati cartușul acumulatorului chiar dacă acesta este grav deteriorat sau complet uzat. Cartușul acumulatorului poate exploda în foc.
 8. Nu introduceți cuie în cartușul acumulatorului, nu îl tăiați, striviți, aruncați sau scăpați și nu îl loviți cu un obiect dur. Astfel de acțiuni pot provoca incendii, căldură excesivă sau explozii.
 9. Nu utilizați un acumulator deteriorat.
 10. Acumulatorii Li-Ion încorporați se supun cerințelor Legislației privind substanțele periculoase. Pentru transporturi comerciale, efectuate de exemplu de către părți terțe, expeditori, trebuie respectate cerințele speciale de ambalare și etichetare. Pentru pregătirea articolului care urmează să fie expedit, este necesară consultarea unui expert în materiale periculoase. Vă rugăm să respectați, de asemenea, reglementările naționale, care pot fi mai detaliate. Izolați sau acoperiți contactele deschise și împachetați acumulatorul în așa fel încât să nu se poată mișca în ambalaj.
 11. Atunci când eliminați la deșeurile cartușul acumulatorului, scoateți-l din mașină și eliminați-l într-un loc sigur. Respectați normele naționale privind eliminarea la deșeurile a acumulatorului.
 12. Utilizați acumulatorul numai cu produsele specificate de Makita. Instalarea acumulatorilor în produse neconforme poate cauza incendii, căldură excesivă, explozii sau scurgeri de electrolit.
 13. Dacă mașina nu este utilizată o perioadă lungă de timp, acumulatorul trebuie scos din acesta.
 14. În timpul utilizării și după aceea, cartușul acumulatorului se poate încălzi, ceea ce poate cauza arsuri sau arsuri la temperaturi scăzute. Fiți atenți la manipularea cartușelor de acumulator atunci când sunt fierbinți.
 15. Nu atingeți borna mașinii imediat după utilizare, întrucât se poate încălzi foarte tare și poate provoca arsuri.
 16. Nu lăsați să pătrundă așchii, praf sau pământ în borne, în orificii și în canalurile cartușului acumulatorului. Acest lucru poate provoca încălzirea, aprinderea, explozia și defectarea mașinii sau a cartușului acumulatorului, cauzând arsuri sau vătămări corporale.

17. Nu utilizați cartușul acumulatorului în apropierea liniilor electrice de înaltă tensiune, cu excepția cazului în care mașina suportă utilizarea în apropierea liniilor electrice de înaltă tensiune. Acest lucru poate duce la funcționarea necorespunzătoare sau la defectarea mașinii sau a cartușului acumulatorului.
18. Țineți acumulatorul la distanță de copii.

PĂSTRAȚI ACESTE INSTRUCȚIUNI.

⚠️ATENȚIE: Folosiți numai acumulatori Makita originali. Acumulatorii Makita care nu sunt originali și acumulatorii care au suferit modificări se pot aprinde, provocând incendii, leziuni corporale și daune. De asemenea, anulează garanția oferită de Makita pentru unele și încărcătorul Makita.

Sfaturi pentru obținerea unei durate maxime de exploatare a acumulatorului

1. Încărcați cartușul acumulatorului înainte de a descărca complet. Întrerupeți întotdeauna funcționarea mașinii și încărcați cartușul acumulatorului când observați o scădere a puterii mașinii.
2. Nu reîncărcați niciodată un acumulator complet încărcat. Supraîncărcarea va scurta durata de exploatare a acumulatorului.
3. Încărcați cartușul acumulatorului la temperatura camerei, între 10 °C - 40 °C (50 °F - 104 °F). Lăsați un acumulator fierbinte să se răcească înainte de a-l încărca.
4. Atunci când nu utilizați cartușul acumulatorului, scoateți-l din mașină sau din încărcător.
5. Încărcați cartușul acumulatorului în cazul în care nu a fost utilizat pe o perioadă mai lungă (mai mult de șase luni).

Instrucțiuni importante privind siguranța pentru unitatea wireless

1. Nu dezamblați sau interveniți asupra unității wireless.
2. Țineți unitatea wireless la distanță de copii mici. Dacă este înghițită accidental, consultați imediat un medic.
3. Utilizați unitatea wireless numai cu mașini Makita.
4. Nu expuneți unitatea wireless la ploaie sau la condiții de umiditate.
5. Nu utilizați unitatea wireless în locuri unde temperatura depășește 50 °C.
6. Nu operați unitatea wireless în apropierea unor instrumente medicale, precum stimulatorul cardiac.
7. Nu operați unitatea wireless în apropierea unor dispozitive automate. Dacă sunt operate, dispozitivele automate pot dezvolta funcționări defectuoase sau erori.
8. Nu operați unitatea wireless în locuri cu temperaturi ridicate sau în locuri în care s-ar putea genera electricitate statică sau zgomot electric.

9. Unitatea wireless poate produce câmpuri electromagnetice (CEM), însă acestea nu sunt dăunătoare pentru utilizator.
10. Unitatea wireless este un instrument de precizie. Aveți grijă să nu scăpați sau să loviți unitatea wireless.
11. Evitați să atingeți borna unității wireless cu mâinile neacoperite sau cu materiale metalice.
12. Scoateți întotdeauna acumulatorul din produs atunci când instalați unitatea wireless în acesta.
13. Atunci când deschideți clapeta de închidere a fantei, evitați locurile unde praful sau apa poate pătrunde în fantă. Mențineți întotdeauna curat firuții de admisie al fantei.
14. Introduceți întotdeauna unitatea wireless în direcția corectă.
15. Nu apăsați cu forță excesivă butonul de activare wireless de pe unitatea wireless și/sau nu apăsați butonul cu un obiect cu o margine ascuțită.
16. Închideți întotdeauna clapeta de închidere a fantei atunci când lucrați.
17. Nu scoateți unitatea wireless din fantă în timp ce mașina este alimentată cu energie. În caz contrar, unitatea wireless poate funcționa defectuos.
18. Nu îndepărtați autocolantul de pe unitatea wireless.
19. Nu aplicați niciun autocolant pe unitatea wireless.
20. Nu lăsați unitatea wireless într-un loc unde s-ar putea genera electricitate statică sau zgomot electric.
21. Nu lăsați unitatea wireless într-un loc supus temperaturilor ridicate, cum ar fi o mașină parcată în soare.
22. Nu lăsați unitatea wireless într-un loc în care se produce praf sau pulbere sau într-un loc unde s-ar putea genera gaze corozive.
23. Schimbarea bruscă de temperatură poate duce la înrourarea unității wireless. Nu utilizați unitatea wireless înainte ca picăturile de rouă să se fi uscat complet.
24. Atunci când curățați unitatea wireless, ștergeți delicat cu o lavetă moale și uscată. Nu utilizați benzină, diluant, vaselină conductivă sau alt produs similar.
25. Atunci când depozitați unitatea wireless, păstrați-o în cutia furnizată sau într-un recipient fără electricitate statică.
26. Nu introduceți în fantă de pe mașină alte dispozitive în afară de unitatea wireless Makita.
27. Nu utilizați mașina dacă clapeta de închidere a fantei este deteriorată. Apa, praful și murdăria care pătrund în fantă pot provoca defectarea.
28. Nu trageți și/sau răsușiți clapeta de închidere mai mult decât este necesar. Puneți la loc clapeta de închidere dacă se desprinde de pe mașină.
29. Înlocuiți clapeta de închidere a fantei dacă se pierde sau dacă este deteriorată.

PĂSTRAȚI ACESTE INSTRUCȚIUNI.

DESCRIEREA FUNCȚIILOR

ATENȚIE: Asigurați-vă întotdeauna că mașina este oprită și cartușul acumulatorului este scos înainte de a ajusta sau verifica funcționarea mașinii.

Instalarea sau scoaterea cartușului acumulatorului

ATENȚIE: Opriti întotdeauna mașina înainte de montarea sau demontarea cartușului de acumulator.

ATENȚIE: Țineți ferm mașina și cartușul acumulatorului la montarea sau demontarea cartușului. În cazul în care nu țineți ferm mașina și cartușul de acumulator, acestea vă pot aluneca din mâini, rezultând defectarea mașinii și cartușului de acumulator, precum și în accidentări personale.

► Fig.1: 1. Indicator roșu 2. Buton 3. Cartușul acumulatorului

Pentru a scoate cartușul acumulatorului, glisați-l din mașină în timp ce glisați butonul de pe partea frontală a cartușului.

Pentru a monta cartușul acumulatorului, aliniați limba de pe cartușul acumulatorului cu canelura din carcasă și introduceți-l în locaș. Introduceți-l complet, până când se înclichează în locaș. Dacă vedeți indicatorul roșu, astfel cum se arată în imagine, acesta nu este blocat complet.

ATENȚIE: Instalați întotdeauna cartușul acumulatorului complet, până când indicatorul roșu nu mai este vizibil. În caz contrar, acesta poate cădea accidental din mașină provocând rănirea dumneavoastră sau a persoanelor din jur.

ATENȚIE: Nu forțați cartușul acumulatorului la montare. Dacă acesta nu glisează ușor, înseamnă că a fost introdus incorect.

Indicarea capacității rămase a acumulatorului

Apăsăți butonul de verificare de pe cartușul acumulatorului, astfel încât să se indice capacitățile rămase ale acumulatorului. Lămpile indicatorului vor lumina timp de câteva secunde.

► Fig.2: 1. Lămpi indicatoare 2. Buton de verificare

Lămpi indicatoare			Capacitate rămasă
Iluminat	Oprit	Iluminare intermitentă	
■	□	◐	între 75% și 100%
■	■	◐	între 50% și 75%
■	□	□	între 25% și 50%
■	□	□	între 0% și 25%
◐	□	□	Încărcați acumulatorul.
■	□	□	Este posibil ca acumulatorul să fie defect.
□	□	■	

NOTĂ: În funcție de condițiile de utilizare și temperatura ambientală, indicația poate fi ușor diferită de capacitatea reală.

NOTĂ: Prima lampă indicatoare (extremitatea stângă) va lumina intermitent când sistemul de protecție a acumulatorului funcționează.

Sistem de protecție mașină/acumulator

Mașina este prevăzută cu un sistem de protecție mașină/acumulator. Acest sistem întrerupe automat alimentarea motorului pentru a extinde durata de funcționare a mașinii și acumulatorului. Mașina se va opri automat în timpul funcționării dacă mașina sau acumulatorul se află într-una din situațiile următoare:

Protecție la suprasarcină

Când acumulatorul este utilizat într-un mod care duce la un consum exagerat de curent, mașina se va opri automat, fără nicio indicație. În această situație, opriți mașina și aplicația care a dus la suprasolicitarea mașinii. Apoi, reporniți mașina.

Protecție la supraîncălzire

Când mașina sau acumulatorul se supraîncălzește, mașina se oprește automat. În acest caz, lăsați mașina și acumulatorul să se răcească înainte de a reporni mașina.

NOTĂ: În momentul în care mașina se supraîncălzește, lampa luminează intermitent.

Protecție la supradescărcare

Când capacitatea acumulatorului scade, unealta se oprește automat. În acest caz, scoateți acumulatorul din mașină și încărcați-l.

Măsurile de protecție împotriva altor cauze

Sistemul de protecție este, de asemenea, conceput pentru alte cauze care ar putea deteriora mașina și permite mașinii să se oprească automat. Parcurgeți toți pașii următori pentru a elimina cauzele, atunci când mașina a fost oprită temporar sau a fost scoasă din funcțiune.

1. Opriti mașina, apoi porniți-o din nou pentru a reporni.
2. Încărcați acumulatorul (acumulatorii) sau înlocuiți-l (înlocuiți-i) cu un acumulator (acumulatori) încărcat (încărcați).
3. Lăsați mașina și acumulatorul (acumulatorii) să se răcească.

Dacă nu se poate observa nicio îmbunătățire prin resetarea sistemului de protecție, contactați centrul local de service Makita.

Acționarea întrerupătorului

⚠️ AVERTIZARE: Înainte de a introduce cartușul acumulatorului în mașină, verificați întotdeauna dacă butonul declanșator funcționează corect și revine în poziția „OFF” (oprit) când este eliberat.

► Fig.3: 1. Buton declanșator

Pentru a porni mașina, trageți de butonul declanșator. Viteza mașinii poate fi crescută prin creșterea forței de apăsare pe butonul declanșator. Eliberați butonul declanșator pentru a opri mașina.

Aprinderea lămpii frontale

► Fig.4: 1. Lampă

⚠️ ATENȚIE: Nu priviți direct în raza sau în sursa de lumină.

Apăsați butonul declanșator pentru a aprinde lampa. Lampa continuă să lumineze atât timp cât butonul declanșator este apăsat. Lampa se stinge după aproximativ 10 secunde de la eliberarea butonului declanșator.

⚠️ ATENȚIE: Dacă lampa se stinge după ce a lăminat intermitent timp de câteva secunde, tehnologia de detectare a reculului activ nu funcționează corect. Adresați-vă centrului local de service Makita pentru efectuarea reparațiilor.

NOTĂ: Folosiți o lavetă uscată pentru a șterge murdăria de pe lentila lămpii. Aveți grijă să nu zgâriați lentila lămpii deoarece, în caz contrar, iluminarea va fi redusă.

NOTĂ: Lampa frontală nu poate fi utilizată în timp ce sistemul de colectare a prafului (accessoriu opțional) este montat pe mașină.

Funcția inversorului

► Fig.5: 1. Pârghie de inversor

⚠️ ATENȚIE: Verificați întotdeauna sensul de rotație înainte de utilizare.

⚠️ ATENȚIE: Folosiți inversorul numai după ce mașina s-a oprit complet. Schimbarea sensului de rotație înainte de oprirea mașinii poate avaria mașina.

⚠️ ATENȚIE: Atunci când nu folosiți mașina, deplasați întotdeauna pârghia inversorului în poziția neutră.


Această mașină dispune de un inversor pentru schimbarea sensului de rotație. Apăsați pârghia inversorului în poziția A pentru rotire în sens orar sau în poziția B pentru rotire în sens antiorar. Când pârghia inversorului se află în poziție neutră, butonul declanșator nu poate fi apăsat.

Selectarea modului de acționare

NOTĂ: Nu acționați butonul rotativ de schimbare a modului de acționare când mașina este în funcțiune. Mașina va fi avariata.


NOTĂ: Pentru a evita uzura rapidă a mecanismului de schimbare a modului de acționare, aveți grijă întotdeauna ca butonul rotativ de schimbare a modului de acționare să fie poziționat corect într-una dintre cele trei poziții corespunzătoare modurilor de acționare.

Rotire cu percuție

Pentru găurirea betonului, a zidăriei etc., rotiți butonul rotativ de schimbare a modului de acționare la simbolul  în timp ce apăsați butonul de eliberare de pe butonul rotativ. Utilizați o sculă cu plăcuțe din aliaj dur de tungsten (accessoriu opțional).


► Fig.6: 1. Rotire cu percuție 2. Buton rotativ de schimbare a modului de acționare 3. Buton de eliberare

Rotire simplă

Pentru găurirea lemnului, a metalului sau a materialelor plastice, rotiți butonul rotativ de schimbare a modului de acționare la simbolul  în timp ce apăsați butonul de eliberare de pe butonul rotativ. Folosiți un cap de burghiu elicoidal sau un cap de burghiu pentru lemn.

► Fig.7: 1. Rotire simplă

Percuție simplă

Pentru operații de spargere, curățare sau demolare, rotiți butonul rotativ de schimbare a modului de acționare la simbolul  în timp ce apăsați butonul de eliberare de pe butonul rotativ. Folosiți o daltă șpiț, o daltă îngustă, o daltă lată etc.

► Fig.8: 1. Percuție simplă

Agățătoare

Accessoriu opțional

⚠️ ATENȚIE: Scoateți întotdeauna acumulatorul atunci când agățați mașina de agățătoare.

⚠️ ATENȚIE: Nu agățați niciodată mașina în locații înalte sau pe suprafețe potențial instabile.

Cârligul este util pentru suspendarea temporară a mașinii.

Înainte de a instala cârligul, scoateți capacul de cauciuc de la orificiile pentru șuruburi din suportul de montare. Introduceți șaibe plate sub suport, apoi strângeți cârligul în poziție cu ajutorul șuruburilor.

► Fig.9: 1. Capac de cauciuc 2. Suport de montare 3. Șaibe plate 4. Cârlig 5. Șuruburi

Pentru a folosi cârligul, ridicați brațul cârligului până când se blochează în poziție deschisă. Când nu îl folosiți, asigurați-vă că cârligul este pliat înapoi în poziție închisă.

► Fig.10: 1. Agățătoare 2. Poziție deschisă 3. Poziție închisă

► Fig.11

Conectarea curelei (cureaua de prindere) de cârlig

⚠️ ATENȚIE: Nu utilizați cârlige sau șuruburi deteriorate. Înainte de utilizare, verificați întotdeauna dacă acestea sunt deteriorate, fisurate sau deformatate și asigurați-vă că șuruburile sunt strânse.

⚠️ ATENȚIE: Asigurați fixarea corespunzătoare a cârligului cu șuruburile.

⚠️ ATENȚIE: Nu instalați sau scoateți accesorii în timp ce suspendați mașina. Dacă șuruburile nu sunt strânse, mașina poate cădea.

⚠️ ATENȚIE: Utilizați întotdeauna o carabinieră de fixare (cu acționare multiplă și cu șuruburi) și asigurați-vă că ați atașat cureaua (cureaua de prindere) la porțiunea cu buclă dublă a agățătoarei. Atașarea necorespunzătoare poate cauza desprinderea mașinii din cârlig și poate duce la accidentări.

De asemenea, cârligul este destinat conectării curelei (cureaua de prindere). Asigurați-vă că cureaua (cureaua de prindere) este legată la porțiunea cu buclă dublă a cârligului.

► **Fig. 12:** 1. Porțiunea cu buclă dublă a cârligului 2. Curea (cureaua de prindere) 3. Carabinieră de fixare (cu acționare multiplă și cu șuruburi)

Avertizări privind siguranța referitoare la conectarea curelei (cureaua de prindere) de cârlig

⚠️ Avertismente de siguranță specifice utilizării la înălțime Citiți toate avertismentele de siguranță și toate instrucțiunile. Nerespectarea avertizărilor și instrucțiunilor poate conduce la vătămări grave.

1. **Atașați întotdeauna mașinii o curea atunci când lucrați „la înălțime”. Lungimea maximă a curelei este de 2 m. Înălțimea de cădere maximă admisă a curelei (cureaua de prindere) nu trebuie să depășească 2 m.**
2. **Utilizați doar curele potrivite pentru acest tip de mașină, destinate pentru cel puțin 8,0 kg.**
3. **Nu ancorați cureaua mașinii de corpul dvs. sau de componente mobile. Ancorați cureaua mașinii de o structură rigidă care să poată susține forțele unei mașini aflate în cădere.**
4. **Asigurați-vă că ați fixat bine cureaua la fiecare capăt înainte de utilizare.**
5. **Inspectați mașina și cureaua înainte de fiecare utilizare pentru a identifica potențialele defecțiuni și dacă funcționarea este corectă (inclusiv materialele textile și cusăturile). Nu continuați dacă observați defecțiuni sau o funcționare necorespunzătoare.**
6. **Nu înfășurați curelele în jurul dvs. și nu le permiteți să intre în contact cu muchii ascuțite sau aspre.**
7. **Prindeți fiecare capăt al curelei în afara zonei de lucru, pentru a putea fixa bine o mașină în cădere.**
8. **Atașați cureaua astfel încât mașina să se distanțeze de operator în cazul în care cade. Mașinile căzute vor rămâne agățate de curea, ceea ce ar putea provoca vătămări sau pierderea echilibrului.**

9. **Nu utilizați în apropierea pieselor în mișcare sau a utilajelor în funcțiune.** În caz contrar, pot apărea accidente sau pericole.
10. **Nu țineți mașina de dispozitivul de atașare sau de curea.**
11. **Mutați mașina dintr-o mână în alta doar dacă sunteți într-o poziție echilibrată.**
12. **Nu atașați curelele de mașină în mod care poate împiedica funcționarea corespunzătoare a declanșatorului sau a butoanelor de blocare (dacă există în dotare).**
13. **Evitați încurcarea în curea.**
14. **Țineți cureaua la distanță de zona de găurire a mașinii.**
15. **Utilizați o carabinieră de fixare (cu acționare multiplă și cu șuruburi). Nu utilizați carabinieri cu o singură acționare și cu arc.**
16. **În cazul în care mașina cade de la înălțime, trebuie etichetată și scoasă din funcțiune și trebuie inspectată de o fabrică sau de un centru de service autorizat Makita.**

Limitator de cuplu

NOTĂ: Opriti mașina de îndată ce limitatorul de cuplu începe să funcționeze. Astfel, veți evita uzura prematură a mașinii.

NOTĂ: Capetele de burghiu, cum ar fi coroana de găurit, care tind să se blocheze sau să se agațe ușor în gaură, nu sunt adecvate pentru această mașină. Acestea vor cauza acționarea prea frecventă a limitatorului de cuplu.

Limitatorul de cuplu va acționa atunci când se atinge o anumită valoare a cuplului. Motorul va fi decuplat de la arborele de ieșire. În acest caz, capul de burghiu nu se va mai roti.

Funcție electronică

Mașina este echipată cu funcții electronice pentru operare facilă.

- **Frână electrică**
Această mașină este echipată cu frână electrică. Dacă în repetate rânduri, mașina nu se oprește rapid după ce butonul declanșator este eliberat, solicitați repararea acesteia la un centru de service Makita.
- **Control constant al vitezei**
Funcția de control al vitezei furnizează viteza de rotație constantă indiferent de condițiile de sarcină.
- **Tehnologie de detectare a reculului activ**
Dacă mașina este pivotată cu accelerația prestabilită în timpul funcționării, motorul se oprește forțat pentru a reduce presiunea asupra încheieturii.

NOTĂ: Această funcție nu poate fi folosită dacă nu se atinge accelerația prestabilită atunci când se pivotază mașina.

NOTĂ: Dacă este pivotat capul de acționare cu accelerația prestabilită în timpul operațiilor de spargere, curățare sau demolare, motorul se oprește forțat. În acest caz, eliberați butonul declanșator și apoi trageți de butonul declanșator pentru a reporni mașina.

ASAMBLARE

⚠️ ATENȚIE: Asigurați-vă întotdeauna că mașina este oprită și cartușul acumulatorului este scos înainte de a executa orice lucrări la mașină.

Mâner lateral (mâner auxiliar)

⚠️ ATENȚIE: Folosiți întotdeauna mânerul lateral pentru a garanta siguranța utilizării.

⚠️ ATENȚIE: După montarea sau reglarea mânerului lateral, asigurați-vă că acesta este fixat bine, cu proeminențele sale fixate complet în canalurile de poziționare de pe carcasa angrenajului.

Pentru a instala mânerul lateral, urmați pașii de mai jos.

1. Slăbiți șurubul cu cap striat de pe mânerul lateral. Apoi montați mânerul lateral peste gâtul țevii carcasei angrenajului.

► **Fig.13:** 1. Mâner lateral 2. Șurub cu cap striat
3. Gâtul țevii carcasei angrenajului
4. Proeminență de fixare 5. Canal de poziționare

Inelul de fixare poate fi mărit prin apăsarea în jos a șurubului cu cap striat, astfel încât inelul să fie cuplat ușor și ferm peste gâtul țevii carcasei angrenajului.

► **Fig.14:** 1. Șurub cu cap striat 2. Inel de fixare

2. Strângeți șurubul cu cap striat pentru a fixa mânerul la unghiul dorit.

Unsoare

Accesoriu opțional

Acoperiți capătul cozii capului de burghiu în prealabil cu o cantitate mică de unsoare (circa 0,5 - 1 g).

Această lubrifiere a mandrinei asigură o funcționare lină și o durată de exploatare prelungită.

Montarea și demontarea capului de burghiu

Curățați capătul cozii capului de burghiu și aplicați unsoare înainte de montarea capului de burghiu.

► **Fig.15:** 1. Capătul cozii 2. Unsoare

Așezați capătul cozii capului de burghiu în mandrină și introduceți-l mai departe în mandrină în timp ce rotiți manual capul de burghiu, astfel încât capătul cozii să se potrivească bine în fanta mandrinei și să fie cuplat complet.

După ce ați instalat capul de burghiu, încercați să îl trageți înapoi pentru a vă asigura că este fixat ferm în poziție.

► **Fig.16:** 1. Cap de burghiu 2. Mandrină


Pentru a demonta capul de burghiu, împingeți manșonul mandrinei complet în jos și extrageți capul de burghiu.

► **Fig.17:** 1. Cap de burghiu 2. Manșonul mandrinei

Unghiul de atac al dălții (la operații de spargere, curățare sau demolare)

Daltea poate fi fixată la unghiul de atac dorit. Comutați butonul rotativ de schimbare a modului de acționare la simbolul O, apoi rotiți daltea la unghiul dorit.

► **Fig.18:** 1. Buton rotativ de schimbare a modului de acționare 2. Simbolul O

Comutați butonul rotativ de schimbare a modului de acționare la simbolul . Încercați să rotiți manual daltea pentru a vă asigura că este fixată ferm în poziție.

Profundor

Profundorul este util pentru efectuarea orificiilor cu o adâncime uniformă.

Apăsați și țineți apăsat butonul de blocare, apoi introduceți profundorul în orificiul hexagonal. Asigurați-vă că partea dințată a profundorului este îndreptată către marcajul dințat pe orificiul hexagonal.

► **Fig.19:** 1. Profundor 2. Buton de blocare 3. Orificiul hexagonal 4. Partea dințată 5. Marcaj dințat

Reglați profundorul deplasându-l înapoi și înainte în timp ce apăsați butonul de blocare. După reglare, eliberați butonul de blocare pentru a bloca profundorul.

NOTĂ: Asigurați-vă că între calibrul de reglare și corpul principal al mașinii nu există niciun contact în momentul în care îl atașați.

Sistem de colectare a prafului

Accesoriu opțional

Instalare

1. Glisați capacul conductei de aer afară din carcasa motorului în timp ce ridicați clapeta de blocare în poziția deblocată.

► **Fig.20:** 1. Capacul conductei de aer 2. Clapeta de blocare

2. Montați mașina pe sistemul de colectare a prafului glisând canelurile de ghidare de pe suprafața inferioară a carcasei angrenajului peste șinele de ghidare de pe suprafața superioară a sistemului de colectare a prafului până când se înclichetează în locaș.

► **Fig.21:** 1. Caneluri de ghidare 2. Șine de ghidare 3. Sistem de colectare a prafului

Dezinstalarea

1. Demontați mașina din sistemul de colectare a prafului, glisând mașina în afară în timp ce apăsați butonul de deblocare de pe sistemul de colectare a prafului.

► **Fig.22:** 1. Sistem de colectare a prafului 2. Buton de deblocare

2. Glisați capacul conductei de aer înapoi de-a lungul canelurilor de ghidare de pe carcasa angrenajului până când se înclichetează în locaș.

► **Fig.23:** 1. Capacul conductei de aer 2. Caneluri de ghidare

NOTĂ: Asigurați-vă că puneți la loc capacul conductei de aer peste conducta de aer după ce ați demontat sistemul de colectare a prafului de la mașină. Performanțele mașinii pot fi afectate dacă aceasta este folosită fără a pune la loc capacul conductei de aer.

Reglarea poziției duzei la sistemul de colectare a prafului

Glisiți în interior și în exterior ghidajul în timp ce apăsați butonul de reglare a ghidajului și apoi eliberați butonul într-o poziție exactă în care vârful capului de burghiu se află chiar în spatele suprafeței frontale a duzei.

- **Fig.24:** 1. Ghidaj 2. Buton de reglare a ghidajului 3. Vârful capului de burghiu 4. Suprafața frontală a duzei

NOTĂ: Înainte de a regla poziția duzei, apăsați butonul de reglare a ghidajului pentru a elibera tensiunea de pe ghidaj și a o elibera într-o poziție complet extinsă.

Reglarea adâncimii de găurire

Adâncimea de găurire poate fi reglată prin modificarea lungimilor dintre butonul de reglare a adâncimii și capătul posterior al ghidajului. Apăsați și țineți apăsat butonul de reglare a adâncimii și glisați-l în poziția dorită.

- **Fig.25:** 1. Buton de reglare a adâncimii 2. Ghidaj 3. Adâncime de găurire

Depozitarea

NOTĂ: Dacă nu este utilizat pentru o anumită perioadă de timp, ghidajul trebuie extins la aproximativ 100 mm din poziția complet scurtată. În caz contrar, se poate deteriora furtunul conductei preinstalat în ghidaj.

- **Fig.26:** 1. Buton de reglare a ghidajului 2. Aproximativ 100 mm

Capac antipraf

Accesoriu opțional

Folosiți capacul antipraf pentru a preveni curgerea prafului pe mașină și pe dumneavoastră atunci când executați operații de găurire deasupra capului. Atașați capacul antipraf pe burghiu după cum se vede în figură. Dimensiunile burghiilor la care poate fi atașat capacul antipraf sunt următoarele.

Model	Diametrul burghiului
Capac antipraf 5	6 mm - 14,5 mm
Capac antipraf 9	12 mm - 16 mm

- **Fig.27:** 1. Capac antipraf

Set capace antipraf

Accesoriu opțional

⚠ATENȚIE: Înainte de montarea și demontarea setului de capace antipraf, scoateți capul de înșurubat de pe mașină.

Instalare

Poziționați setul de capace antipraf pe gâtul țevii carcasei angrenajului, aliniind simbolul Δ de pe capacul antipraf cu cel al canelurilor de pe țeavă. Apoi țineți dispozitivul de atașare al setului de capace antipraf și împingeți-l în jos pe țeavă pentru a-l fixa în poziție.

- **Fig.28:** 1. Set capace antipraf 2. Dispozitiv de atașare 3. Δ simbol 4. Canelură

NOTĂ: În cazul în care conectați un aspirator la setul de capace antipraf, scoateți capacul antipraf înainte de a-l conecta.

- **Fig.29:** 1. Capac antipraf

Dezinstalarea

Împingeți manșonul mandrinei complet în jos și extrageți capul de înșurubat.

- **Fig.30:** 1. Cap de înșurubat 2. Manșonul mandrinei

Țineți dispozitivul de atașare al setului de capace antipraf și scoateți-l de pe mașină.

- **Fig.31:** 1. Dispozitiv de atașare

NOTĂ: În cazul în care capacul se desprinde de pe setul de capace antipraf, așezați-l înapoi în poziția inițială.

1. Desprindeți burdufurile de pe dispozitivul de atașare al setului de capace antipraf.

- **Fig.32:** 1. Burdufuri 2. Dispozitiv de atașare

2. Așezați capacul la loc cu fața imprimată orientată în sus.

- **Fig.33:** 1. Capac 2. Parte imprimată 3. Caneluri 4. Buzele deschiderii superioare 5. Dispozitiv de atașare

3. Asigurați-vă că canelurile din jurul capacului se potrivesc bine în buzele deschiderii superioare a dispozitivului de atașare.

- **Fig.34**

OPERAREA

⚠ATENȚIE: Folosiți întotdeauna mânerul lateral (mânerul auxiliar) și țineți mașina ferm de mânerul lateral și mânerul cu comutator în timpul lucrului.

⚠ATENȚIE: Asigurați-vă întotdeauna că piesa de prelucrat este fixată înainte de utilizare.

⚠ATENȚIE: Nu trageți mașina cu forța, nici chiar în cazul în care capul rămâne blocat. Pierderea controlului poate produce vătămări.

ATENȚIE: Sistemul de colectare a prafului este destinat numai găuririi în beton. Nu utilizați sistemul de colectare a prafului pentru găurire în metal sau lemn.

ATENȚIE: La momentul utilizării mașinii cu sistemul de colectare a prafului, asigurați-vă că atașați filtrul la sistemul de colectare a prafului, pentru a preveni inhalarea prafului.

ATENȚIE: Înainte de a utiliza sistemul de colectare a prafului, verificați dacă filtrul este deteriorat. În caz contrar, se poate ajunge la inhalarea prafului.

ATENȚIE: Sistemul de colectare a prafului colectează praful generat într-o proporție semnificativă, însă nu tot praful poate fi colectat.

NOTĂ: Dacă mașina este operată continuu la viteză mică timp îndelungat, motorul va fi supra-solicitat și mașina se va defecta.

NOTĂ: Nu utilizați sistemul de colectare a prafului pentru găurire cu burghiu de centrare sau pentru dăltuire.


NOTĂ: Nu utilizați sistemul de colectare a prafului pentru găurire în beton umed și nu utilizați acest sistem în medii umede. În caz contrar, există pericol de funcționare necorespunzătoare.

NOTĂ: În cazul în care cartușul acumulatorului este la temperatură scăzută, capacitatea mașinii nu poate fi obținută integral. În acest caz, încălziți cartușul acumulatorului cu ajutorul mașinii, fără sarcină pentru o anumită perioadă de timp, pentru a obține capacitatea integrală a mașinii.

► Fig.35

Operația de găurire cu percuție

ATENȚIE: Asupra mașinii/capului burghiului este exercitată o forță de răscuire enormă și bruscă în momentul în care orificiul este străpuns, dacă orificiul se înfundă cu așchii și particule sau dacă întâlniți barele de armătură încastrate în beton. **Folosiți întotdeauna mânerul lateral (mânerul auxiliar) și țineți mașina ferm de mânerul lateral și mânerul cu comutator în timpul lucrului.** În caz contrar, există riscul de a pierde controlul mașinii și de a suferi vătămări corporale grave.


Reglați butonul rotativ de schimbare a modului de acționare la simbolul .

Poziționați capul de burghiu în punctul de găurire dorit, apoi trageți de butonul declanșator. Nu forțați mașina. O presiune mai ușoară oferă cele mai bune rezultate. Mențineți mașina în poziție și împiedicați-o să alunece din gaură.

Nu aplicați o presiune mai mare dacă gaura se înfundă cu așchii sau particule. În schimb, lăsați mașina să funcționeze în gol și scoateți parțial capul de burghiu din gaură. Repetând această operație de mai multe ori, gaura va fi curățată și veți putea continua găurirea normală.

NOTĂ: Când acționați mașina fără sarcină poate apărea o rotație excentrică a capului de burghiu. Mașina se autocentrează în timpul funcționării. Aceasta nu afectează precizia de găurire.

Spargere/curățare/demolare

Reglați butonul rotativ de schimbare a modului de acționare la simbolul .

Țineți mașina ferm cu ambele mâini. Porniți mașina și aplicați o ușoară presiune asupra acesteia astfel încât mașina să nu salte necontrolată.

Apăsarea cu putere a mașinii nu va spori eficiența acesteia.

► Fig.36

Găurirea în lemn sau metal

ATENȚIE: Țineți mașina ferm și procedați cu atenție atunci când capul de burghiu trece prin piesa de prelucrat. Asupra mașinii/capului de burghiu este exercitată o forță enormă în momentul în care gaura este străpunsă.


ATENȚIE: Un cap de burghiu blocat se poate debloca prin simpla setare a inversorului pentru rotația în sens invers, pentru retragere. Totuși, mașina se poate retrage brusc dacă nu o țineți ferm.

ATENȚIE: Piesele trebuie fixate întotdeauna cu o menghină sau cu un alt dispozitiv similar de fixare.

NOTĂ: Nu utilizați niciodată „rotirea cu percuție” atunci când mandrina de găurit este instalată pe mașină. Mandrina de găurit se poate deteriora.

De asemenea, mandrina de găurit se va desprinde în momentul inversării direcției de rotație a mașinii.

NOTĂ: Aplicarea unei forțe excesive asupra mașinii nu va grăbi operațiunea de găurire. De fapt, presiunea excesivă nu va face decât să deterioreze burghiul, reducând performanțele mașinii și durata de viață a acesteia.

Reglați butonul rotativ de schimbare a modului de acționare la simbolul .

Instalarea setului de mandrine de găurit


Accesorii opționale

Atașați adaptorul de mandrină pe o mandrină de găurit fără cheie pe care poate fi instalat un șurub de dimensiune 1/2"-20, iar apoi instalați-le pe mașină. Pentru detalii privind modul de instalare a adaptorului în mandrină, consultați instrucțiunile de instalare a capului de burghiu.

► Fig.37: 1. Mandrină de găurit fără cheie 2. Adaptor mandrină

Găurirea cu burghiu de centrare diamantat

NOTĂ: Dacă executați operații de găurire cu un burghiu de centrare diamantat folosind modul „rotire cu percuție”, burghiul de centrare diamantat poate fi avariata.

Când executați operații de găurire cu un burghiu de centrare diamantat, reglați întotdeauna butonul rotativ de schimbare a modului de acționare  în poziția de „rotire simplă”.

Scuturarea prafului din filtru

Accesorii opționale

ATENȚIE: Nu rotiți selectorul de pe cutia pentru praf în timp ce cutia pentru praf este scoasă din sistemul de colectare a prafului. Acționarea lui poate duce la inhalarea prafului.

ATENȚIE: Întotdeauna oprți scula când rotiți selectorul de pe cutia pentru praf. Rotirea selectorului în timp ce scula este în funcțiune poate duce la pierderea controlului asupra mașinii.

Prin scuturarea prafului din filtru în interiorul cutiei pentru praf, puteți menține eficiența aspirării și puteți reduce și frecvența cu care eliminați praful. Rotiți discul rotativ de pe cutia pentru praf de trei ori după fiecare colectare a 50.000 mm³ de praf sau atunci când considerați că a scăzut performanța de aspirare.

NOTĂ: 50.000 mm³ de praf echivalează cu perforarea a 10 găuri cu diametrul de ø10 mm și o adâncime de 65 mm.

► Fig.38: 1. Cutie pentru praf 2. Disc rotativ

Eliminarea prafului

Accesorii opționale

ATENȚIE: Asigurați-vă întotdeauna că mașina este oprită și cartușul acumulatorului este scos înainte de a executa orice lucrări la mașină.

ATENȚIE: Asigurați-vă că purtați mască anti-praf atunci când eliminați praful.

ATENȚIE: Goliți în mod regulat cutia pentru praf, înainte ca aceasta să se umple. În caz contrar, performanța de colectare a prafului poate scădea și se poate ajunge la inhalarea prafului.

ATENȚIE: Performanța colectării prafului scade dacă filtrul din cutia pentru praf se înfundă. Înlocuiți filtrul cu unul nou după aproximativ 200 de umpleri cu praf, orientativ. În caz contrar, se poate ajunge la inhalarea prafului.

1. Scoateți cutia pentru praf în timp ce apăsați în jos pedicla cutiei pentru praf.

► Fig.39: 1. Pedică

2. Ridicați clapeta de blocare ușor spre exterior și deschideți capacul cutiei pentru praf.

► Fig.40: 1. Capacul cutiei pentru praf 2. Clapetă de blocare

3. Eliminați praful și apoi curățați filtrul.

► Fig.41

NOTĂ: Atunci când curățați filtrul, loviți ușor cu mâna cutia filtrului pentru a îndepărta praful. Nu loviți filtrul direct, atingeți filtrul cu peria sau cu un alt obiect asemănător sau suflați aer comprimat pe acesta. În caz contrar, filtrul se poate deteriora.

Pară de suflare

Accesorii opționale

După găurire, folosiți para de suflare pentru a curăța praful din gaură.

► Fig.42

Utilizarea setului de capace anti-praf

Accesorii opționale

Prindeți setul de capace anti-praf pe plafon atunci când operați mașina.

► Fig.43

NOTĂ: Nu utilizați setul de capace anti-praf când găuriți metal sau materiale similare. Acest lucru poate deteriora setul de capace anti-praf din cauza căldurii produse de micile particule de praf de metal sau materiale similare.

NOTĂ: Nu instalați sau demontați setul de capace anti-praf cu capul de burghiu instalat pe mașină. Acest lucru poate deteriora setul de capace anti-praf și poate cauza scurgeri de praf.

FUNCȚIA DE ACTIVARE WIRELESS

Ce puteți face cu funcția de activare wireless

Funcția de activare wireless face posibilă o utilizare curată și confortabilă. Conectând un aspirator acceptat la mașină, puteți rula automat aspiratorul, împreună cu operația de comutare a mașinii.

► Fig.44

Pentru a utiliza funcția de activare wireless, pregătiți următoarele elemente:

- O unitate wireless (accesoriu opțional)
- Un aspirator care acceptă funcția de activare wireless

Prezentarea generală a setării funcției de activare wireless este după cum urmează. Consultați fiecare secțiune pentru proceduri detaliate.

1. Instalarea unității wireless
2. Înregistrarea mașinii pentru aspirator
3. Pornirea funcției de activare wireless

Instalarea unității wireless

Accesorii opționale

ATENȚIE: Așezați mașina pe o suprafață plană și stabilă atunci când instalați unitatea wireless.

NOTĂ: Curățați praful și murdăria de pe mașină înainte de a instala unitatea wireless. Praful sau murdăria poate cauza funcționarea defectuoasă dacă pătrunde în fanta unității wireless.

NOTĂ: Pentru a preveni funcționarea defectuoasă cauzată de energia statică, atingeți un material de descărcare statică, precum o parte din metal a mașinii, înainte de a ridica unitatea wireless.

NOTĂ: Atunci când instalați unitatea wireless, asigurați-vă întotdeauna de introducerea unității wireless în direcția corectă și de închiderea completă a clapetei de închidere.

1. Deschideți clapeta de închidere de pe mașină după cum se vede în figură.

► **Fig.45:** 1. Clapetă de închidere

2. Introduceți unitatea wireless în fantă și apoi închideți clapeta de închidere.

Atunci când introduceți unitatea wireless, aliniați proeminențele cu porțiunile înfundate de pe fantă.

► **Fig.46:** 1. Unitate wireless 2. Proeminență
3. Clapetă de închidere 4. Porțiune înfundată

Atunci când scoateți unitatea wireless, deschideți lent clapeta de închidere. Cârligele de pe partea din spate a clapetei de închidere ridică unitatea wireless pe măsură ce trageți în sus clapeta de închidere.

► **Fig.47:** 1. Unitate wireless 2. Cârlig 3. Clapetă de închidere

După ce scoateți unitatea wireless, păstrați-o în cutia furnizată sau într-un recipient fără electricitate statică.

NOTĂ: Utilizați întotdeauna cârligele de pe partea din spate a clapetei de închidere atunci când scoateți unitatea wireless. În cazul în care cârligele nu prind unitatea wireless, închideți complet clapeta de închidere și deschideți-o din nou lent.

Înregistrarea mașinii pentru aspirator

NOTĂ: Pentru înregistrarea mașinii este necesar un aspirator Makita care acceptă funcția de activare wireless.

NOTĂ: Finalizați instalarea unității wireless la mașină înainte de a începe înregistrarea mașinii.

NOTĂ: În timpul înregistrării mașinii, nu trageți butonul declanșator și nu porniți întrerupătorul de pornire/oprire de pe aspirator.

NOTĂ: Consultați de asemenea manualul de instrucțiuni al aspiratorului.

Dacă doriți să activați aspiratorul odată cu operația de comutare a mașinii, finalizați mai întâi înregistrarea mașinii.

1. Instalați acumulatorii la aspirator și la mașină.

2. Setează comutatorul de stare de așteptare de pe aspirator pe „AUTO”.

► **Fig.48:** 1. Comutator de stare de așteptare

3. Apăsăți butonul de activare wireless de pe aspirator timp de 3 secunde până când lampa de activare wireless luminează intermitent cu verde. Apoi, apăsați butonul de activare wireless de pe mașină în același mod.

► **Fig.49:** 1. Buton de activare wireless 2. Lampă de activare wireless

Dacă aspiratorul și mașina sunt conectate cu succes, lămpile de activare wireless se vor aprinde cu verde timp de 2 secunde și vor începe să lumineze intermitent cu albastru.

NOTĂ: Lămpile de activare wireless încetează să lumineze intermitent cu verde după scurgerea a 20 de secunde. Apăsăți butonul de activare wireless de pe mașină în timp ce lampa de activare wireless de pe aparatul de curățat luminează intermitent. Dacă lampa de activare wireless nu luminează intermitent cu verde, apăsați scurt butonul de activare wireless și țineți-l din nou apăsat.

NOTĂ: Atunci când efectuați două sau mai multe înregistrări ale mașinii pentru un aspirator, finalizați pe rând fiecare înregistrare.

Pornirea funcției de activare wireless

NOTĂ: Finalizați înregistrarea mașinii pentru aspirator înainte de activarea wireless.

NOTĂ: Consultați de asemenea manualul de instrucțiuni al aspiratorului.

După înregistrarea unei mașini la aspirator, aspiratorul va rula automat, împreună cu operația de comutare a mașinii.

1. Instalați unitatea wireless la mașină.

2. Conectați furtunul aspiratorului cu mașina.

► **Fig.50**

3. Setează comutatorul de stare de așteptare de pe aspirator pe „AUTO”.

► **Fig.51:** 1. Comutator de stare de așteptare

4. Apăsăți scurt butonul de activare wireless de pe mașină. Lampa de activare wireless va lumina intermitent cu albastru.

► **Fig.52:** 1. Buton de activare wireless 2. Lampă de activare wireless

5. Trageți butonul declanșator al mașinii. Verificați dacă aspiratorul funcționează în timp ce se trage butonul declanșator.

Pentru a opri activarea wireless a aspiratorului, apăsați butonul de activare wireless de pe mașină.

NOTĂ: Lampa de activare wireless de pe mașină va înceta să lumineze intermitent cu albastru atunci când nu există funcționare timp de 2 ore. În acest caz, setați comutatorul de stare de așteptare de pe aspirator pe „AUTO” și apăsați din nou buton de activare wireless.

NOTĂ: Aspiratorul pornește/se oprește cu o amănare. Există o întârziere atunci când aspiratorul detectează o operație de comutare a mașinii.










NOTĂ: Distanța de transmisie a unității wireless poate varia în funcție de locație și circumstanțele aferente.

NOTĂ: Atunci când două sau mai multe mașini sunt înregistrate la un aspirator, aspiratorul poate începe să ruleze chiar dacă nu trageți butonul declanșator, deoarece un alt utilizator folosește funcția de activare wireless.

Descrierea stării lămpii de activare wireless

► Fig.53: 1. Lampă de activare wireless

Lampa de activare wireless indică starea funcției de activare wireless. Consultați tabelul de mai jos pentru semnificația stării lămpii.

Stare	Lampă de activare wireless			Durată	Descriere
	Culoare	 Pornit	 Iluminare intermitentă		
Standby	Albastru			2 ore	Activarea wireless a aspiratorului este disponibilă. Lampa se va stinge automat atunci când nu are loc nicio operație timp de 2 ore.
				Atunci când mașina este în funcțiune.	Activarea wireless a aspiratorului este disponibilă și mașina este în funcțiune.
Înregistrarea mașinii	Verde			20 secunde	Gata pentru înregistrarea mașinii. Se așteaptă înregistrarea de către aspirator.
				2 secunde	Înregistrarea mașinii a fost finalizată. Lampa de activare wireless va începe să lumineze intermitent cu albastru.
Anularea înregistrării mașinii	Roșu			20 secunde	Gata pentru anularea înregistrării mașinii. Se așteaptă anularea de către aspirator.
				2 secunde	Anularea înregistrării mașinii a fost finalizată. Lampa de activare wireless va începe să lumineze intermitent cu albastru.
Altele	Roșu			3 secunde	Unitatea wireless este alimentată cu energie și se lansează funcția de activare wireless.
	Oprit	-		-	Activarea wireless a aspiratorului este oprită.

Anularea înregistrării mașinii pentru aspirator

Efectuați următoarea procedură atunci când anulați înregistrarea mașinii pentru aspirator.

1. Instalați acumulatorii la aspirator și la mașină.
2. Setări comutatorul de stare de așteptare de pe aspirator pe „AUTO”.

► Fig.54: 1. Comutator de stare de așteptare

3. Apăsăți butonul de activare wireless de pe aspirator timp de 6 secunde. Lampă de activare wireless luminează intermitent cu verde și apoi devine roșie. După aceasta, apăsați butonul de activare wireless de pe mașină în același mod.

► Fig.55: 1. Buton de activare wireless 2. Lampă de activare wireless

Dacă anularea este efectuată cu succes, lămpile de activare wireless se vor aprinde cu roșu timp de 2 secunde și vor începe să lumineze intermitent cu albastru.

NOTĂ: Lămpile de activare wireless încetează să lumineze intermitent cu roșu după scurgerea a 20 de secunde. Apăsăți butonul de activare wireless de pe mașină în timp ce lampa de activare wireless de pe aparatul de curățat luminează intermitent. Dacă lampa de activare wireless nu luminează intermitent cu roșu, apăsați scurt butonul de activare wireless și țineți-l din nou apăsat.

Depanarea funcției de activare wireless

Înainte de a solicita reparații, efectuați mai întâi propria inspecție. În cazul în care găsiți o problemă care nu este explicată în manual, nu încercați să demontați echipamentul. În schimb, adresați-vă Centrelor de service autorizate Makita, utilizând întotdeauna piese de schimb Makita pentru reparații.

Stare de anormalitate	Cauză probabilă (defecțiune)	Remediu
Lampa de activare wireless nu se aprinde/nu luminează intermitent.	Unitatea wireless nu este instalată în mașină. Unitatea wireless este instalată necorespunzător în mașină.	Instalați corect unitatea wireless.
	Borna unității wireless și/sau fanta este murdară.	Ștergeți delicat praful și murdăria de pe borna unității wireless și curățați fanta.
	Butonul de activare wireless de pe mașină nu a fost apăsat.	Apăsați scurt butonul de activare wireless de pe mașină.
	Comutatorul de stare de așteptare de pe aspirator nu este setat pe „AUTO”.	Setați comutatorul de stare de așteptare de pe aspirator pe „AUTO”.
	Nicio sursă de alimentare	Alimentați cu energie mașina și aspiratorul.
Înregistrarea mașinii/anularea înregistrării mașinii nu poate fi finalizată cu succes.	Unitatea wireless nu este instalată în mașină. Unitatea wireless este instalată necorespunzător în mașină.	Instalați corect unitatea wireless.
	Borna unității wireless și/sau fanta este murdară.	Ștergeți delicat praful și murdăria de pe borna unității wireless și curățați fanta.
	Comutatorul de stare de așteptare de pe aspirator nu este setat pe „AUTO”.	Setați comutatorul de stare de așteptare de pe aspirator pe „AUTO”.
	Nicio sursă de alimentare	Alimentați cu energie mașina și aspiratorul.
	Funcționare incorectă	Apăsați scurt butonul de activare wireless și efectuați din nou procedurile de înregistrare/anulare.
	Mașina și aspiratorul se află la distanță unul de celălalt (în afara ariei de transmisie).	Aduceți mașina și aspiratorul mai aproape unul de celălalt. Distanța maximă de transmisie este de aproximativ 10 m, însă aceasta poate varia în funcție de circumstanțe.
	Înainte de a finaliza înregistrarea mașinii/anularea - butonul declanșator de pe mașină este tras sau - butonul de pornire de pe aspirator este activat.	Apăsați scurt butonul de activare wireless și efectuați din nou procedurile de înregistrare/anulare.
	Procedurile de înregistrare a mașinii pentru mașină sau aspirator nu au fost finalizate.	Efectuați procedurile de înregistrare a mașinii atât pentru mașină, cât și aspirator, în același timp.
	Perturbații radioelectrice de la alte aparate care generează unde radio de mare intensitate.	Țineți mașina și aspiratorul la distanță de aparate precum dispozitive Wi-Fi și cuptoare cu microunde.
	Aspiratorul nu funcționează odată cu operația de comutare a mașinii.	Unitatea wireless nu este instalată în mașină. Unitatea wireless este instalată necorespunzător în mașină.
Borna unității wireless și/sau fanta este murdară.		Ștergeți delicat praful și murdăria de pe borna unității wireless și curățați fanta.
Butonul de activare wireless de pe mașină nu a fost apăsat.		Apăsați scurt butonul de activare wireless și asigurați-vă că lampa de activare wireless luminează intermitent cu albastru.
Comutatorul de stare de așteptare de pe aspirator nu este setat pe „AUTO”.		Setați comutatorul de stare de așteptare de pe aspirator pe „AUTO”.
La aspirator sunt înregistrate mai mult de 10 mașini.		Efectuați din nou înregistrarea mașinii. Dacă la aspirator sunt înregistrate mai mult de 10 mașini, mașina înregistrată prima va fi anulată automat.
Aspiratorul a șters toate înregistrările mașinii.		Efectuați din nou înregistrarea mașinii.
Nicio sursă de alimentare		Alimentați cu energie mașina și aspiratorul.
Mașina și aspiratorul se află la distanță unul de celălalt (în afara ariei de transmisie).		Aduceți mașina și aspiratorul mai aproape unul de celălalt. Distanța maximă de transmisie este de aproximativ 10 m, însă aceasta poate varia în funcție de circumstanțe.
Perturbații radioelectrice de la alte aparate care generează unde radio de mare intensitate.		Țineți mașina și aspiratorul la distanță de aparate precum dispozitive Wi-Fi și cuptoare cu microunde.
Aspiratorul funcționează în timp ce butonul declanșator al mașinii nu este tras.	Alți utilizatori folosesc activarea wireless a aspiratorului cu mașinile acestora.	Oprți butonul de activare wireless al celorlalte mașini sau anulați înregistrarea celorlalte mașini.

ÎNȚREȚINERE

⚠ATENȚIE: Asigurați-vă întotdeauna că mașina este oprită și cartușul acumulatorului scos înainte de a executa lucrările de inspecție și întreținere.

NOTĂ: Nu utilizați niciodată gazolină, benzină, diluant, alcool sau alte substanțe asemănătoare. În caz contrar, pot rezulta decolorări, deformări sau fisuri.

Pentru a menține SIGURANȚA și FIABILITATEA produsului, reparațiile și orice alte lucrări de întreținere sau reglare trebuie executate de centre de service Makita autorizate sau proprii, folosind întotdeauna piese de schimb Makita.

Înlocuirea filtrului cutiei pentru praf

Accesorii opționale

1. Scoateți cutia pentru praf în timp ce apăsați în jos pedica cutiei pentru praf.

► **Fig.56:** 1. Pedică

2. Ridicați clapeta de blocare ușor spre exterior și deschideți capacul cutiei pentru praf.

► **Fig.57:** 1. Capacul cutiei pentru praf 2. Clapetă de blocare

3. Introduceți o șurubelniță cu lamă plată între carcasa filtrului și capacul cutiei pentru praf, astfel cum se arată în figură. Apăsați pereții laterali ai carcasei filtrului spre interior și ridicați carcasa filtrului cu ajutorul șurubelniței cu lamă plată.

► **Fig.58:** 1. Șurubelniță cu lamă plată 2. Carcasa filtru 3. Capacul cutiei pentru praf

4. Împingeți în afară filtrul din carcasa filtrului, astfel cum se arată în figură.

► **Fig.59:** 1. Filtru 2. Carcasă filtru

5. Înlocuiți cu un filtru nou în carcasa filtrului. Așezați carcasa filtrului înapoi pe cutia pentru praf, aliniind proeminențele de ghidare pe carcasa filtrului cu canelura de pe cutia pentru praf.

► **Fig.60:** 1. Proeminențe de ghidare 2. Canelură

6. Închideți capacul cutiei pentru praf și apoi reasamblați cutia pentru praf la sistemul de colectare a prafului.

Înlocuirea capacului de etanșare

Accesorii opționale

Înlocuiți un capac de etanșare la intervale regulate deoarece un capac de etanșare uzat sau deteriorat poate afecta capacitatea de aspirație.

1. Introduceți o șurubelniță cu lamă plată, cu suprafețele sale plane verticale, într-unul dintre orificiile de eliberare plasate pe părțile laterale ale capului duzei. Înclinați șurubelnița cu lamă plată într-un unghi pentru a strânge și scoate elementul de prindere în formă de cub al capacului de etanșare din suport. Apoi desprindeți marginile de cauciuc ale capacului de etanșare de pe marginile laterale ale deschiderii capului duzei.

► **Fig.61:** 1. Capac de etanșare 2. Element de prindere în formă de cub 3. Orificii de eliberare 4. Capul duzei

2. Așezați unul dintre elementele de prindere în formă de cub ale noului capac de etanșare în suport, în capul duzei, cu suprafața înfundată a capacului de etanșare orientată în față.

► **Fig.62:** 1. Elemente de prindere în formă de cub 2. Suporturi 3. Capac de etanșare 4. Suprafață înfundată

3. Așezați celălalt element de prindere în formă de cub în suportul de pe partea opusă a capului duzei, în timp ce re poziționați capacul de etanșare pentru a se potrivi perfect la capul duzei.

► **Fig.63:** 1. Capac de etanșare 2. Element de prindere în formă de cub 3. Suport 4. Capul duzei 5. Margini

4. Așezați ușor marginile de cauciuc ale capacului de etanșare în jos peste marginile capului duzei care se deschid de jos în sus.

► **Fig.64:** 1. Margini de cauciuc 2. Capac de etanșare 3. Capul duzei

ACCESORII OPȚIONALE

⚠ATENȚIE: Folosiți accesoriile sau piesele auxiliare recomandate pentru mașina dumneavoastră Makita în acest manual. Utilizarea oricăror alte accesorii sau piese auxiliare poate prezenta risc de vătămare corporală. Utilizați accesoriile și piesele auxiliare numai în scopul destinat.

Dacă aveți nevoie de asistență sau de mai multe detalii referitoare la aceste accesorii, adresați-vă centrului local de service Makita.

- Capete de burghiu cu plăcuțe de carburi metalice (capete cu plăcuțe de carburi metalice SDS-Plus)
- Burghiu de centrare
- Daltă șpiț
- Burghiu de centrare diamantat
- Daltă îngustă
- Daltă lată
- Daltă de canelat
- Set mandrine de găurit (adaptor mandrină/mandrină de găurit)
- Unsoare pentru burghie
- Profundor
- Pară de suflare
- Capac antipraf
- Set capace antipraf
- Set cârlige
- Set cutii pentru praf
- Set de filtre
- Îmbinare
- Sistem de colectare a prafului
- Unitate wireless
- Ochelari de protecție
- Acumulator și încărcător original Makita

NOTĂ: Unele articole din listă pot fi incluse ca accesorii standard în ambalajul de scule. Acestea pot diferi în funcție de țară.

TECHNISCHE DATEN

Modell:		HR007G
Kapazitäten	Beton	28 mm
	Bohrkrone	54 mm
	Diamant-Bohrkrone (Trockentyp)	65 mm
	Stahl	13 mm
	Holz	32 mm
Leerlaufdrehzahl		0 - 980 min ⁻¹
Schlagzahl pro Minute		0 - 5.000 min ⁻¹
Nennspannung		36 V - 40 V Gleichstrom
Gesamtlänge	mit BL4025	458 mm
	mit BL4040	473 mm
Nettogewicht		3,8 - 4,8 kg

Sonderzubehör

Modell:		DX15
Saugleistung		290 l/min
Betriebshub		Bis zu 190 mm
Geeigneter Bohrereinsatz		Bis zu 260 mm
Nettogewicht		1,3 kg

- Wir behalten uns vor, Änderungen der technischen Daten im Zuge der Entwicklung und des technischen Fortschritts ohne vorherige Ankündigung vorzunehmen.
- Die technischen Daten können von Land zu Land unterschiedlich sein.
- Das Gewicht kann abhängig von dem Aufsatz (den Aufsätzen), einschließlich des Akkus, unterschiedlich sein. Die leichteste und die schwerste Kombination, gemäß dem EPTA-Verfahren 01/2014, sind in der Tabelle angegeben.

Zutreffende Akkus und Ladegeräte

Akku	BL4020* / BL4025* / BL4040* / BL4050F * : Empfohlener Akku
Ladegerät	DC40RA / DC40RB / DC40RC

- Einige der oben aufgelisteten Akkus und Ladegeräte sind je nach Ihrem Wohngebiet eventuell nicht erhältlich.

⚠️ WARNUNG: Verwenden Sie nur die oben aufgeführten Akkus und Ladegeräte. Bei Verwendung irgendwelcher anderer Akkus und Ladegeräte besteht Verletzungs- und/oder Brandgefahr.

Empfohlene kabelgebundene Stromquelle

Rückentragbare Akku-Bank	PDC01 / PDC1200
--------------------------	-----------------

- Die oben aufgelisteten kabelgebundenen Stromquellen sind je nach Ihrem Wohngebiet eventuell nicht erhältlich.
- Lesen Sie vor Gebrauch der kabelgebundenen Stromquelle die daran angebrachten Anweisungen und Warnmarkierungen durch.

Vorgesehene Verwendung

Das Werkzeug ist für Schlagbohren und Bohren in Ziegel, Beton und Stein sowie für Stemmarbeiten vorgesehen.
Es eignet sich auch für normales Bohren in Holz, Metall, Keramik und Kunststoff.

Geräusch

Typischer A-bewerteter Geräuschpegel ermittelt gemäß EN60745-2-6:

Modell HR007G

Schalldruckpegel (L_{pA}): 94 dB (A)
Schallleistungspegel (L_{WA}): 105 dB (A)
Messunsicherheit (K): 3 dB (A)

Modell HR007G mit DX15

Schalldruckpegel (L_{pA}): 93 dB (A)
Schallleistungspegel (L_{WA}): 104 dB (A)
Messunsicherheit (K): 3 dB (A)

HINWEIS: Der (Die) angegebene(n) Schallemissionswert(e) wurde(n) im Einklang mit der Standardprüfmethode gemessen und kann (können) für den Vergleich zwischen Werkzeugen herangezogen werden.

HINWEIS: Der (Die) angegebene(n) Schallemissionswert(e) kann (können) auch für eine Vorbewertung des Gefährdungsgrads verwendet werden.

⚠️ WARNUNG: Einen Gehörschutz tragen.

⚠️ WARNUNG: Die Schallemission während der tatsächlichen Benutzung des Elektrowerkzeugs kann je nach der Benutzungsweise des Werkzeugs, und speziell je nach der Art des bearbeiteten Werkstücks, von dem (den) angegebenen Wert(en) abweichen.

⚠️ WARNUNG: Identifizieren Sie Sicherheitsmaßnahmen zum Schutz des Benutzers anhand einer Schätzung des Gefährdungsgrads unter den tatsächlichen Benutzungsbedingungen (unter Berücksichtigung aller Phasen des Arbeitszyklus, wie z. B. Ausschalt- und Leerlaufzeiten des Werkzeugs zusätzlich zur Betriebszeit).

Schwingungen

Die folgende Tabelle zeigt den gemäß dem zutreffenden Standard ermittelten Vibrationsgesamtwert (Drei-Achsen-Vektorsumme).

Arbeitsmodus	Vibrationsemission	Messunsicherheit (K)	Zutreffender Standard
Hammerbohren in Beton ($a_{H,HD}$)	7,5 m/s ²	1,5 m/s ²	EN60745-2-6
Hammerbohren in Beton mit DX15 ($a_{H,HD}$)	8,1 m/s ²	1,5 m/s ²	EN60745-2-6
Meißelfunktion mit Seitengriff ($a_{H,Chaq}$)	8,6 m/s ²	1,5 m/s ²	EN60745-2-6
Bohren in Metall ($a_{H,D}$)	2,8 m/s ²	1,5 m/s ²	EN60745-2-1

HINWEIS: Der (Die) angegebene(n) Vibrationsgesamtwert(e) wurde(n) im Einklang mit der Standardprüfmethode gemessen und kann (können) für den Vergleich zwischen Werkzeugen herangezogen werden.

HINWEIS: Der (Die) angegebene(n) Vibrationsgesamtwert(e) kann (können) auch für eine Vorbewertung des Gefährdungsgrads verwendet werden.

⚠️ WARNUNG: Die Vibrationsemission während der tatsächlichen Benutzung des Elektrowerkzeugs kann je nach der Benutzungsweise des Werkzeugs, und speziell je nach der Art des bearbeiteten Werkstücks, von dem (den) angegebenen Emissionswert(en) abweichen.

⚠️ WARNUNG: Identifizieren Sie Sicherheitsmaßnahmen zum Schutz des Benutzers anhand einer Schätzung des Gefährdungsgrads unter den tatsächlichen Benutzungsbedingungen (unter Berücksichtigung aller Phasen des Arbeitszyklus, wie z. B. Ausschalt- und Leerlaufzeiten des Werkzeugs zusätzlich zur Betriebszeit).

EG-Konformitätserklärung

Nur für europäische Länder

Die EG-Konformitätserklärung ist als Anhang A in dieser Bedienungsanleitung enthalten.

SICHERHEITSWARNUNGEN

Allgemeine Sicherheitswarnungen für Elektrowerkzeuge

⚠️ WARNUNG: Lesen Sie alle mit diesem Elektrowerkzeug gelieferten Sicherheitswarnungen, Anweisungen, Abbildungen und technischen Daten durch. Eine Missachtung der unten aufgeführten Anweisungen kann zu einem elektrischen Schlag, Brand und/oder schweren Verletzungen führen.

Bewahren Sie alle Warnungen und Anweisungen für spätere Bezugnahme auf.

Der Ausdruck „Elektrowerkzeug“ in den Warnhinweisen bezieht sich auf Ihr mit Netzstrom (mit Kabel) oder Akku (ohne Kabel) betriebenes Elektrowerkzeug.

SICHERHEITSWARNUNGEN FÜR AKKU-BOHRHAMMER

- Tragen Sie Gehörschützer.** Lärmeinwirkung kann Gehörschädigung verursachen.
- Benutzen Sie (einen) Zusatzgriff(e), sofern er (sie) mit dem Werkzeug geliefert wurde(n).** Verlust der Kontrolle kann Personenschäden verursachen.
- Halten Sie das Elektrowerkzeug an den isolierten Griffflächen, wenn Sie Arbeiten ausführen, bei denen die Gefahr besteht, dass das Schneidwerkzeug verborgene Kabel kontaktiert.** Bei Kontakt mit einem Stromführenden Kabel können die freiliegenden Metallteile des Elektrowerkzeugs ebenfalls Strom führend werden, so dass der Benutzer einen elektrischen Schlag erleiden kann.

4. Tragen Sie Schutzhelm, Schutzbrille und/oder Gesichtsschutz. Eine gewöhnliche Brille oder Sonnenbrille ist KEIN Ersatz für eine Schutzbrille. Das Tragen einer Staubmaske und dick gepolsterter Handschuhe ist ebenfalls zu empfehlen.
5. Vergewissern Sie sich vor der Arbeit, dass der Einsatz sicher montiert ist.
6. Das Werkzeug erzeugt konstruktionsbedingt Vibrationen bei normalem Betrieb. Durch Lockerung von Schrauben kann es zu einem Ausfall oder Unfall kommen. Unterziehen Sie die Schrauben vor der Arbeit einer sorgfältigen Festigkeitsprüfung.
7. Lassen Sie das Werkzeug bei niedrigen Temperaturen oder nach längerer Nichtbenutzung eine Zeit lang im Leerlauf warm laufen. Dadurch wird die Schmirnung verbessert. Betrieb im kalten Zustand erschwert die Schlagbohrarbeit.
8. Achten Sie stets auf sicheren Stand. Vergewissern Sie sich bei Einsatz des Werkzeugs an hochgelegenen Arbeitsplätzen, dass sich keine Personen darunter aufhalten.
9. Halten Sie das Werkzeug mit beiden Händen fest.
10. Halten Sie Ihre Hände von beweglichen Teilen fern.
11. Lassen Sie das Werkzeug nicht unbeaufsichtigt laufen. Benutzen Sie das Werkzeug nur mit Handhaltung.
12. Richten Sie das Werkzeug während des Betriebs nicht auf umstehende Personen. Der Einsatz könnte herausschnellen und schwere Verletzungen verursachen.
13. Vermeiden Sie eine Berührung des Einsatzes, der umliegenden Teile oder des Werkstücks unmittelbar nach der Bearbeitung, weil die Teile noch sehr heiß sind und Hautverbrennungen verursachen können.
14. Manche Materialien können giftige Chemikalien enthalten. Treffen Sie Vorsichtsmaßnahmen, um das Einatmen von Arbeitsstaub und Hautkontakt zu verhindern. Befolgen Sie die Sicherheitsdaten des Materiallieferanten.
15. Vergewissern Sie sich stets, das Werkzeug ausgeschaltet ist und der Akku und der Einsatz abgenommen sind, bevor Sie das Werkzeug einer anderen Person aushändigen.
16. Vergewissern Sie sich vor der Arbeit, dass sich keine verborgenen Objekte, wie etwa eine elektrische Leitung, ein Wasserrohr oder ein Gasrohr, im Arbeitsbereich befinden. Anderenfalls kann der Bohreinsatz/Meißel damit in Berührung kommen und einen elektrischen Schlag, einen Leckstrom oder ein Gasleck verursachen.
17. Lassen Sie das Werkzeug nicht unnötig im Leerlauf laufen.

DIESE ANWEISUNGEN AUFBEWAHREN.

⚠️ WARNUNG: Lassen Sie sich NICHT durch Bequemlichkeit oder Vertrautheit mit dem Produkt (durch wiederholten Gebrauch erworben) von der strikten Einhaltung der Sicherheitsregeln für das vorliegende Produkt abhalten. MISSBRAUCH oder Missachtung der Sicherheitsvorschriften in dieser Anleitung können schwere Verletzungen verursachen.

Wichtige Sicherheitsanweisungen für Akku

1. Lesen Sie vor der Benutzung des Akkus alle Anweisungen und Warnhinweise, die an (1) Ladegerät, (2) Akku und (3) Akkuwerkzeug angebracht sind.
2. Unterlassen Sie Zerlegen oder Manipulieren des Akkus. Es kann sonst zu einem Brand, übermäßiger Hitzeentwicklung oder einer Explosion kommen.
3. Falls die Betriebszeit beträchtlich kürzer geworden ist, stellen Sie den Betrieb sofort ein. Anderenfalls besteht die Gefahr von Überhitzung, möglichen Verbrennungen und sogar einer Explosion.
4. Falls Elektrolyt in Ihre Augen gelangt, waschen Sie sie mit sauberem Wasser aus, und begeben Sie sich unverzüglich in ärztliche Behandlung. Anderenfalls können Sie Ihre Sehkraft verlieren.
5. Der Akku darf nicht kurzgeschlossen werden:
 - (1) Die Kontakte dürfen nicht mit leitfähigem Material berührt werden.
 - (2) Lagern Sie den Akku nicht in einem Behälter zusammen mit anderen Metallgegenständen, wie z. B. Nägel, Münzen usw.
 - (3) Setzen Sie den Akku weder Wasser noch Regen aus.
 Ein Kurzschluss des Akkus verursacht starken Stromfluss, der Überhitzung, mögliche Verbrennungen und einen Defekt zur Folge haben kann.
6. Lagern und benutzen Sie das Werkzeug und den Akku nicht an Orten, an denen die Temperatur 50 °C erreichen oder überschreiten kann.
7. Versuchen Sie niemals, den Akku zu verbrennen, selbst wenn er stark beschädigt oder vollkommen verbraucht ist. Der Akku kann im Feuer explodieren.
8. Unterlassen Sie Nageln, Schneiden, Zerquetschen, Werfen, Fallenlassen des Akkus oder Schlagen des Akkus mit einem harten Gegenstand. Eine solche Handlung kann zu einem Brand, übermäßiger Hitzeentwicklung oder einer Explosion führen.
9. Benutzen Sie keine beschädigten Akkus.
10. Die enthaltenen Lithium-Ionen-Akkus unterliegen den Anforderungen der Gefahrgut-Gesetzgebung. Für kommerzielle Transporte, z. B. durch Dritte oder Spediteure, müssen besondere Anforderungen zu Verpackung und Etikettierung beachtet werden.

- Zur Vorbereitung des zu transportierenden Artikels ist eine Beratung durch einen Experten für Gefahrengut erforderlich. Bitte beachten Sie möglicherweise ausführlichere nationale Vorschriften. Überkleben oder verdecken Sie offene Kontakte, und verpacken Sie den Akku so, dass er sich in der Verpackung nicht umher bewegen kann.
11. **Entfernen Sie den Akku zum Entsorgen vom Werkzeug, und entsorgen Sie ihn an einem sicheren Ort. Befolgen Sie die örtlichen Vorschriften bezüglich der Entsorgung von Akkus.**
 12. **Verwenden Sie die Akkus nur mit den von Makita angegebenen Produkten.** Das Einsetzen der Akkus in nicht konforme Produkte kann zu einem Brand, übermäßiger Hitzebildung, einer Explosion oder Auslaufen von Elektrolyt führen.
 13. **Soll das Werkzeug längere Zeit nicht benutzt werden, muss der Akku vom Werkzeug entfernt werden.**
 14. **Bei und nach dem Gebrauch kann der Akku heiß werden, was Verbrennungen oder Niedertemperaturverbrennungen verursachen kann. Beachten Sie die Handhabung von heißen Akkus.**
 15. **Berühren Sie nicht den Anschlusskontakt des Werkzeugs unmittelbar nach dem Gebrauch, da er heiß genug werden kann, um Verbrennungen zu verursachen.**
 16. **Achten Sie darauf, dass sich keine Späne, Staub oder Schmutz in den Anschlusskontakten, Löchern und Nuten des Akkus absetzen.** Es könnte sonst zu Erhitzung, Brandauslösung, Bersten und Funktionsstörungen des Werkzeugs oder des Akkus kommen, was zu Verbrennungen oder Personenschäden führen kann.
 17. **Wenn das Werkzeug den Einsatz in der Nähe einer Hochspannungs-Stromleitung nicht unterstützt, benutzen Sie den Akku nicht in der Nähe einer Hochspannungs-Stromleitung.** Dies kann zu einer Funktionsstörung oder Betriebsstörung des Werkzeugs oder des Akkus führen.
 18. **Halten Sie die Batterie von Kindern fern.**

DIESE ANWEISUNGEN AUFBEWAHREN.

⚠ VORSICHT: Verwenden Sie nur Original-Makita-Akkus. Die Verwendung von Nicht-Original-Makita-Akkus oder von Akkus, die abgeändert worden sind, kann zum Bersten des Akkus und daraus resultierenden Bränden, Personenschäden und Beschädigung führen. Außerdem wird dadurch die Makita-Garantie für das Makita-Werkzeug und -Ladegerät ungültig.

Hinweise zur Aufrechterhaltung der maximalen Akku-Nutzungsdauer

1. **Laden Sie den Akku, bevor er vollkommen erschöpft ist. Schalten Sie das Werkzeug stets aus, und laden Sie den Akku, wenn Sie ein Nachlassen der Werkzeugeistung feststellen.**

2. **Unterlassen Sie erneutes Laden eines voll aufgeladenen Akkus. Überladen führt zu einer Verkürzung der Nutzungsdauer des Akkus.**
3. **Laden Sie den Akku bei Raumtemperatur zwischen 10 – 40 °C. Lassen Sie einen heißen Akku abkühlen, bevor Sie ihn laden.**
4. **Wenn Sie den Akku nicht benutzen, nehmen Sie ihn vom Werkzeug oder Ladegerät ab.**
5. **Der Akku muss geladen werden, wenn er lange Zeit (länger als sechs Monate) nicht benutzt wird.**

Wichtige Sicherheitsanweisungen für Funk-Adapter

1. **Unterlassen Sie Zerlegen oder Manipulieren des Funk-Adapters.**
2. **Halten Sie den Funk-Adapter von kleinen Kindern fern. Suchen Sie bei versehentlichem Verschlucken sofort ärztliche Behandlung auf.**
3. **Benutzen Sie den Funk-Adapter nur mit Makita-Werkzeugen.**
4. **Setzen Sie den Funk-Adapter keinem Regen oder Nässe aus.**
5. **Benutzen Sie den Funk-Adapter nicht an Orten, wo die Temperatur 50 °C überschreitet.**
6. **Betreiben Sie den Funk-Adapter nicht an Orten, in deren Nähe sich medizinische Geräte, wie z. B. Herzschrittmacher, befinden.**
7. **Betreiben Sie den Funk-Adapter nicht an Orten, in deren Nähe sich automatisierte Geräte befinden.** Bei Betrieb kann in den automatisierten Geräten eine Funktionsstörung oder ein Fehler entstehen.
8. **Betreiben Sie den Funk-Adapter nicht an Orten unter hohen Temperaturen oder an Orten, wo statische Elektrizität oder elektrisches Rauschen erzeugt werden könnte.**
9. **Der Funk-Adapter kann elektromagnetische Felder (EMF) erzeugen, die aber für den Benutzer nicht gesundheitsschädlich sind.**
10. **Der Funk-Adapter ist ein Präzisionsinstrument. Achten Sie darauf, dass der Funk-Adapter nicht fallen gelassen oder Stößen ausgesetzt wird.**
11. **Vermeiden Sie Berühren der Kontakte des Funk-Adapters mit bloßen Händen oder Metallgegenständen.**
12. **Entfernen Sie stets den Akku vom Produkt, bevor Sie den Funk-Adapter installieren.**
13. **Öffnen Sie den Deckel des Steckplatzes nicht an Orten, wo Staub und Wasser in den Steckplatz eindringen können. Halten Sie den Einlass des Steckplatzes stets sauber.**
14. **Führen Sie den Funk-Adapter stets in der korrekten Richtung ein.**
15. **Drücken Sie nicht zu fest und/oder mit einem scharfkantigen Gegenstand auf die Funk-Aktivierungstaste des Funk-Adapters.**
16. **Halten Sie den Deckel des Steckplatzes beim Betrieb immer geschlossen.**

17. Entfernen Sie den Funk-Adapter nicht aus dem Steckplatz, während das Werkzeug mit Strom versorgt wird. Anderenfalls kann eine Funktionsstörung des Funk-Adapters verursacht werden.
18. Entfernen Sie nicht den Aufkleber vom Funk-Adapter.
19. Kleben Sie keinen anderen Aufkleber auf den Funk-Adapter.
20. Lassen Sie den Funk-Adapter nicht an einem Ort liegen, wo statische Elektrizität oder elektrisches Rauschen erzeugt werden könnte.
21. Lassen Sie den Funk-Adapter nicht an einem Ort liegen, der starker Hitze ausgesetzt ist, wie z. B. in einem in praller Sonne geparkten Auto.
22. Lassen Sie den Funk-Adapter nicht an einem Ort liegen, der Staub oder Puder aufweist, oder an dem ein korrosives Gas erzeugt werden könnte.
23. Plötzliche Temperaturschwankungen können den Funk-Adapter betauen. Benutzen Sie den Funk-Adapter nicht eher, bis der Tau vollständig getrocknet ist.
24. Wischen Sie den Funk-Adapter zum Reinigen **sachte mit einem trockenen, weichen Tuch ab**. Verwenden Sie kein Waschbenzin, kein leitfähiges Fett, keinen Verdünner oder dergleichen.
25. Bewahren Sie den Funk-Adapter zur Lagerung in der mitgelieferten Schachtel oder einem statikfreien Behälter auf.
26. Führen Sie keine anderen Geräte außer dem Makita-Funk-Adapter in den Steckplatz des Werkzeugs ein.
27. Benutzen Sie das Werkzeug nicht, wenn der Deckel des Steckplatzes beschädigt ist. Wasser, Staub und Schmutz, die in den Steckplatz eindringen, können eine Funktionsstörung verursachen.
28. Ziehen und/oder verdrehen Sie den Deckel des Steckplatzes nicht mehr als nötig. Bringen Sie den Deckel wieder an, falls er sich vom Werkzeug löst.
29. Ersetzen Sie den Deckel des Steckplatzes, falls er verloren geht oder beschädigt wird.

BEWAHREN SIE DIESE ANLEITUNG AUF.

FUNKTIONSBESCHREIBUNG

⚠ VORSICHT: Vergewissern Sie sich vor der Durchführung von Einstellungen oder Funktionsprüfungen des Werkzeugs stets, dass das Werkzeug ausgeschaltet und der Akku abgenommen ist.

Anbringen und Abnehmen des Akkus

⚠ VORSICHT: Schalten Sie das Werkzeug stets aus, bevor Sie den Akku anbringen oder abnehmen.

⚠ VORSICHT: Halten Sie das Werkzeug und den Akku beim Anbringen oder Abnehmen des Akkus sicher fest. Wenn Sie das Werkzeug und den Akku nicht sicher festhalten, können sie Ihnen aus der Hand rutschen, was zu einer Beschädigung des Werkzeugs und des Akkus und zu Körperverletzungen führen kann.

► **Abb.1:** 1. Rote Anzeige 2. Knopf 3. Akku

Ziehen Sie den Akku zum Abnehmen vom Werkzeug ab, während Sie den Knopf an der Vorderseite des Akkus verschieben.

Richten Sie zum Anbringen des Akkus dessen Führungsfeder auf die Nut im Gehäuse aus, und schieben Sie den Akku hinein. Schieben Sie ihn vollständig ein, bis er mit einem leisen Klicken einrastet. Wenn Sie die rote Anzeige sehen können, wie in der Abbildung gezeigt, ist der Akku nicht vollständig verriegelt.

⚠ VORSICHT: Schieben Sie den Akku stets bis zum Anschlag ein, bis die rote Anzeige nicht mehr sichtbar ist. Anderenfalls kann er aus dem Werkzeug herausfallen und Sie oder umstehende Personen verletzen.

⚠ VORSICHT: Unterlassen Sie Gewaltanwendung beim Anbringen des Akkus. Falls der Akku nicht reibungslos hineingleitet, ist er nicht richtig ausgerichtet.

Anzeigen der Akku-Restkapazität

Drücken Sie die Prüftaste am Akku, um die Akku-Restkapazität anzuzeigen. Die Anzeigelampen leuchten wenige Sekunden lang auf.

► **Abb.2:** 1. Anzeigelampen 2. Prüftaste

Anzeigelampen			Restkapazität
Erleuchtet	Aus	Blinkend	
■ ■ ■ ■	□ □ □ □	◐ ◑	75% bis 100%
■ ■ ■ □	□ □ □ □	◐ ◑	50% bis 75%
■ ■ □ □	□ □ □ □	◐ ◑	25% bis 50%
■ □ □ □	□ □ □ □	◐ ◑	0% bis 25%
◐ ◑	□ □ □ □	◐ ◑	Den Akku aufladen.
■ ■ □ □	□ □ □ □	◐ ◑	Möglicherweise liegt eine Funktionsstörung im Akku vor.
□ □ □ □	■ ■ ■ ■	◐ ◑	

HINWEIS: Abhängig von den Benutzungsbedingungen und der Umgebungstemperatur kann die Anzeige geringfügig von der tatsächlichen Kapazität abweichen.

HINWEIS: Die erste (äußerste linke) Anzeigelampe blinkt, wenn das Akku-Schutzsystem aktiv ist.

Werkzeug/Akku-Schutzsystem

Das Werkzeug ist mit einem Werkzeug/Akku-Schutzsystem ausgestattet. Dieses System schaltet die Stromversorgung des Motors automatisch ab, um die Lebensdauer von Werkzeug und Akku zu verlängern. Das Werkzeug bleibt während des Betriebs automatisch stehen, wenn das Werkzeug oder der Akku einer der folgenden Bedingungen unterliegt:

Überlastschutz

Wird der Akku auf eine Weise benutzt, die eine ungewöhnlich hohe Stromaufnahme bewirkt, bleibt das Werkzeug ohne jegliche Anzeige automatisch stehen. Schalten Sie in dieser Situation das Werkzeug aus, und brechen Sie die Arbeit ab, die eine Überlastung des Werkzeugs verursacht hat. Schalten Sie dann das Werkzeug wieder ein, um es neu zu starten.

Überhitzungsschutz

Wenn das Werkzeug oder der Akku überhitzt wird, bleibt das Werkzeug automatisch stehen. Lassen Sie das Werkzeug und den Akku in diesem Fall abkühlen, bevor Sie das Werkzeug wieder einschalten.

HINWEIS: Bei Überhitzung des Werkzeugs blinkt die Lampe.

Überentladungsschutz

Wenn die Akkukapazität unzureichend wird, bleibt das Werkzeug automatisch stehen. Nehmen Sie in diesem Fall den Akku vom Werkzeug ab, und laden Sie ihn auf.

Schutz gegen andere Ursachen

Das Schutzsystem ist auch für andere Ursachen ausgelegt, die eine Beschädigung des Werkzeugs bewirken könnten, und ermöglicht automatisches Anhalten des Werkzeugs. Führen Sie alle folgenden Schritte aus, um die Ursachen zu beseitigen, wenn das Werkzeug zu einem vorübergehenden Stillstand oder Betriebsstopp gekommen ist.

1. Schalten Sie das Werkzeug aus und wieder ein, um es neu zu starten.
2. Laden Sie den/die Akku(s) auf, oder tauschen Sie ihn/sie gegen einen aufgeladenen Akku/aufgeladene Akkus aus.
3. Lassen Sie das Werkzeug und den/die Akku(s) abkühlen.

Falls die Wiederherstellung des Schutzsystems keine Besserung bringt, wenden Sie sich an Ihre lokale Makita-Kundendienststelle.

Schalterfunktion

⚠️ WARNUNG: Vergewissern Sie sich vor dem Einsetzen des Akkus in das Werkzeug stets, dass der Ein-Aus-Schalter ordnungsgemäß funktioniert und beim Loslassen in die AUS-Stellung zurückkehrt.

► **Abb.3:** 1. Auslöseschalter

Drücken Sie zum Einschalten des Werkzeugs einfach den Ein-Aus-Schalter. Die Drehzahl erhöht sich durch verstärkte Druckausübung auf den Ein-Aus-Schalter. Lassen Sie den Ein-Aus-Schalter zum Anhalten los.

Einschalten der Frontlampe

► **Abb.4:** 1. Lampe

⚠️ VORSICHT: Blicken Sie nicht direkt in die Lampe oder die Lichtquelle.

Betätigen Sie den Ein-Aus-Schalter, um die Lampe einzuschalten. Die Lampe bleibt erleuchtet, solange der Ein-Aus-Schalter gedrückt gehalten wird. Die Lampe erlischt ungefähr 10 Sekunden nach dem Loslassen des Ein-Aus-Schalters.

⚠️ VORSICHT: Falls die Lampe erlischt, nachdem sie wenige Sekunden lang geblinkt hat, funktioniert die aktive Rückkopplungs-Erkennungstechnologie nicht ordnungsgemäß. Wenden Sie sich bezüglich einer Reparatur an Ihre örtliche Makita-Kundendienststelle.

HINWEIS: Wischen Sie Schmutz auf der Lampenlinse mit einem trockenen Tuch ab. Achten Sie sorgfältig darauf, dass Sie die Lampenlinse nicht verkratzen, weil sich sonst die Lichtstärke verringert.

HINWEIS: Die Frontlampe kann nicht verwendet werden, während das Staubabsaugsystem (Sonderzubehör) im Werkzeug installiert ist.

Funktion des Drehrichtungsumschalters

► **Abb.5:** 1. Drehrichtungsumschalthebel

⚠️ VORSICHT: Prüfen Sie stets die Drehrichtung, bevor Sie mit der Arbeit beginnen.

⚠️ VORSICHT: Betätigen Sie den Drehrichtungsumschalter erst, nachdem das Werkzeug völlig zum Stillstand gekommen ist. Durch Umschalten der Drehrichtung bei noch laufendem Werkzeug kann das Werkzeug beschädigt werden.

⚠️ VORSICHT: Stellen Sie den Drehrichtungsumschalthebel stets auf die Neutralstellung, wenn Sie das Werkzeug nicht benutzen.


Dieses Werkzeug besitzt einen Drehrichtungsumschalter. Drücken Sie auf die Seite A des Drehrichtungsumschalthebels für Rechtsdrehung, und auf die Seite B für Linksdrehung. In der Neutralstellung des Drehrichtungsumschalthebels ist der Ein-Aus-Schalter verriegelt.

Wahl der Betriebsart

ANMERKUNG: Betätigen Sie den Betriebsart-Umschaltknopf nicht bei laufendem Werkzeug. Das Werkzeug kann sonst beschädigt werden.

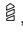
ANMERKUNG: Um schnellen Verschleiß des Betriebsart-Umschaltmechanismus zu vermeiden, achten Sie stets darauf, dass der Betriebsart-Umschaltknopf einwandfrei in einer der drei Betriebsartpositionen eingerastet ist.

Schlagbohren

Zum Bohren in Beton, Mauerwerk usw. drehen Sie den Betriebsart-Umschaltknopf auf das Symbol , während Sie den Entriegelungsknopf am Knopf drücken. Verwenden Sie einen Einsatz mit Hartmetallspitze (Sonderzubehör).


► **Abb.6:** 1. Schlagbohren 2. Betriebsart-Umschaltknopf 3. Entriegelungsknopf

Bohren

Zum Bohren in Holz-, Metall- oder Kunststoffmaterialien drehen Sie den Betriebsart-Umschaltknopf auf das Symbol , während Sie den Entriegelungsknopf am Knopf drücken. Verwenden Sie einen Spiralbohrer oder Holzbohrer.

► **Abb.7:** 1. Bohren

Schlagen

Für Zerspanungs-, Zunder- oder Abbrucharbeiten drehen Sie den Betriebsart-Umschaltknopf auf das Symbol , während Sie den Entriegelungsknopf am Knopf drücken. Verwenden Sie einen Spitzmeißel, Flachmeißel, Putzmeißel usw.

► **Abb.8:** 1. Schlagen

Haken

Sonderzubehör

VORSICHT: Nehmen Sie stets den Akku ab, wenn Sie das Werkzeug am Aufhänger aufhängen.

VORSICHT: Hängen Sie das Werkzeug auf keinen Fall an hoch gelegenen Stellen oder an einer potentiell instabilen Fläche auf.

Der Aufhänger ist praktisch, um das Werkzeug vorübergehend aufzuhängen.

Bevor Sie den Aufhänger installieren, entfernen Sie die Gummikappe von den Schraubenlöchern in der Montagehalterung. Führen Sie die Tellerscheiben unter die Halterung ein, und ziehen Sie dann den Aufhänger mit den Schrauben an seinem Platz fest.

► **Abb.9:** 1. Gummikappe 2. Montagehalterung 3. Tellerscheiben 4. Aufhänger 5. Schrauben

Heben Sie den Arm des Aufhangers zum Gebrauch an, bis er in die geöffnete Position einrastet.

Achten Sie bei Nichtgebrauch darauf, dass der Aufhänger in die geschlossene Position zurückgeklappt ist.

► **Abb.10:** 1. Haken 2. Geöffnete Position 3. Geschlossene Position

► **Abb.11**

Anschließen einer Schnur (Haltegurt) am Aufhänger

VORSICHT: Benutzen Sie den Aufhänger und die Schrauben nicht, wenn sie beschädigt sind. Überprüfen Sie das Werkzeug vor Gebrauch stets auf Beschädigung, Risse oder Verformung, und vergewissern Sie sich, dass die Schrauben angezogen sind.

VORSICHT: Vergewissern Sie sich, dass der Aufhänger mit den Schrauben sicher montiert ist.

VORSICHT: Unterlassen Sie Montieren oder Demontieren von Zubehör, während Sie das Werkzeug aufhängen. Das Werkzeug kann herunterfallen, falls die Schrauben nicht festgezogen sind.

VORSICHT: Verwenden Sie stets einen Schraubkarabiner (Multi-Action- und Screw Gate-Ausführung), und befestigen Sie unbedingt die Schnur (Haltegurt) am Doppelschleifenenteil des Aufhängers. Ungeeignete Befestigung kann Herunterfallen des Werkzeugs vom Aufhänger verursachen, was zu Personenschäden führen kann.

Der Aufhänger ist auch zum Anschließen der Schnur (Haltegurt) vorgesehen. Schließen Sie die Schnur (Haltegurt) unbedingt an den Doppelschleifenenteil des Aufhängers an.

► **Abb.12:** 1. Doppelschleifenenteil des Aufhängers 2. Schnur (Haltegurt) 3. Schraubkarabiner (Multi-Action- und Screw Gate-Ausführung)

Sicherheitswarnungen über das Anschließen einer Schnur (Haltegurt) am Aufhänger

Spezielle Sicherheitswarnungen für Gebrauch an hohen Orten

Lesen Sie alle Sicherheitswarnungen und Anweisungen durch. Eine Missachtung der Warnungen und Anweisungen kann zu schweren Verletzungen führen.

1. Halten Sie das Werkzeug stets angebunden, wenn Sie „an hohen Orten“ arbeiten. Die maximale Schnurlänge beträgt 2 m. Die maximal zulässige Fallhöhe für die Schnur (Haltegurt) darf 2 m nicht überschreiten.
2. Verwenden Sie nur für diesen Werkzeugtyp geeignete Schnüre, die für eine Belastung von mindestens 8,0 kg bemessen sind.
3. Verankern Sie die Werkzeugschnur nicht an irgendeinem Körperteil oder an beweglichen Komponenten. Verankern Sie die Werkzeugschnur an einer starren Struktur, die den Kräften eines herunterfallenden Werkzeugs widerstehen kann.
4. Vergewissern Sie sich vor der Benutzung, dass die Schnur an beiden Enden einwandfrei gesichert ist.
5. Überprüfen Sie Werkzeug und Schnur vor jeder Benutzung auf Beschädigung und ordnungsgemäße Funktion (einschließlich Stoff und Nähte). Unterlassen Sie den Gebrauch bei Beschädigung oder nicht ordnungsgemäßer Funktion.

6. Wickeln Sie die Schnüre nicht um scharfe oder raue Kanten, und lassen Sie sie auch nicht mit diesen in Berührung kommen.
7. Befestigen Sie das andere Ende der Schnur außerhalb des Arbeitsbereichs, so dass ein herunterfallendes Werkzeug sicher gehalten wird.
8. Bringen Sie die Schnur so an, dass sich das Werkzeug vom Bediener weg bewegt, falls es herunterfällt. Heruntergefallene Werkzeuge schwingen an der Schnur, was Verletzungen oder Verlust des Gleichgewichts verursachen kann.
9. Unterlassen Sie die Benutzung in der Nähe von beweglichen Teilen oder laufenden Maschinen. Anderenfalls besteht Gefährdung durch Zerquetschen oder Erfassen.
10. Tragen Sie das Werkzeug nicht an der Aufsatzvorrichtung oder der Schnur.
11. Übertragen Sie das Werkzeug nur zwischen Ihren Händen, wenn Sie einwandfreies Gleichgewicht haben.
12. Befestigen Sie Schnüre nicht in einer Weise am Werkzeug, die ordnungsgemäßes Funktionieren von Schaltern oder der Auslösesperre (falls geliefert) verhindert.
13. Vermeiden Sie es, in der Schnur verwickelt zu werden.
14. Halten Sie die Schnur vom Bohrbereich des Werkzeugs fern.
15. Verwenden Sie einen Schraubkarabiner (Multi-Action- und Screw Gate-Ausführung). Verwenden Sie keine Single-Action-Karabiner mit Federschnapper.
16. Falls das Werkzeug herunterfällt, muss es markiert und außer Betrieb genommen werden und sollte von einem Makita-Werk oder einem autorisierten Service-Center überprüft werden.

Drehmomentbegrenzer

ANMERKUNG: Schalten Sie das Werkzeug bei Aktivierung des Drehmomentbegrenzers sofort aus. Dies verhindert vorzeitigen Verschleiß des Werkzeugs.

ANMERKUNG: Bohrereinsätze, wie z. B. eine Lochsäge, die zum Klemmen oder Hängenbleiben in der Bohrung neigen, sind für dieses Werkzeug nicht geeignet. Dies liegt daran, dass sie eine zu häufige Aktivierung des Drehmomentbegrenzers verursachen.

Der Drehmomentbegrenzer wird bei Erreichen eines bestimmten Drehmoments ausgelöst. Der Motor wird von der Ausgangswelle abgekuppelt. Wenn dies eintritt, bleibt der Bohrereinsatz stehen.

Elektronikfunktionen

Das Werkzeug ist für komfortablen Betrieb mit Elektronikfunktionen ausgestattet.

- Elektrische Bremse
Dieses Werkzeug ist mit einer elektrischen Bremse ausgestattet. Falls das Werkzeug nach dem Loslassen des Auslöseschalters ständig nicht sofort anhält, lassen Sie es von einer Makita-Kundendienststelle warten.

- Konstantdrehzahlregelung
Die Drehzahlregelungsfunktion liefert eine konstante Drehzahl ungeachtet der Lastbedingungen.
- Aktive Rückkopplungs-Erkennungstechnologie
Wird das Werkzeug während des Betriebs mit der vorbestimmten Beschleunigung geschwenkt, wird der Motor zwangsweise angehalten, um die Belastung des Handgelenks zu verringern.

HINWEIS: Diese Funktion ist unwirksam, falls die Beschleunigung nicht den vorbestimmten Wert beim Schwenken des Werkzeugs erreicht.

HINWEIS: Wird der Einsatz während des Betriebs beim Meißeln, Abklopfen oder Demolieren mit der vorbestimmten Beschleunigung geschwenkt, wird der Motor zwangsweise angehalten. Lassen Sie in diesem Fall den Auslöseschalter los, und betätigen Sie dann den Auslöseschalter, um das Werkzeug erneut zu starten.

MONTAGE

⚠ VORSICHT: Vergewissern Sie sich vor der Ausführung von Arbeiten am Werkzeug stets, dass das Werkzeug ausgeschaltet und der Akku abgenommen ist.

Seitengriff (Zusatzgriff)

⚠ VORSICHT: Verwenden Sie stets den Seitengriff, um sicheren Betrieb zu gewährleisten.

⚠ VORSICHT: Vergewissern Sie sich nach dem Installieren oder Einstellen des Seitengriffs, dass der Seitengriff mit seinen Haltevorsprüngen durch die Positionierungsaussparungen am Getriebegehäuse fest gesichert ist.

Befolgen Sie zum Montieren des Seitengriffs die nachstehenden Schritte.

1. Lösen Sie die Flügelschraube am Seitengriff. Installieren Sie dann den Seitengriff auf den Zylinderhals des Getriebegehäuses.

- **Abb.13:** 1. Seitengriff 2. Flügelschraube
3. Zylinderhals des Getriebegehäuses 4. Haltevorsprung
5. Positionierungsaussparung

Der Befestigungsring kann durch Drücken der Flügelschraube nach unten vergrößert werden, so dass der Ring leicht und sicher über den Zylinderhals des Getriebegehäuses eingerastet werden kann.

- **Abb.14:** 1. Flügelschraube 2. Befestigungsring

2. Ziehen Sie die Flügelschraube an, um den Griff im gewünschten Winkel sicher zu befestigen.

Schmierfett

Sonderzubehör

Tragen Sie vor der Arbeit eine kleine Menge Schmierfett (etwa 0,5 - 1 g) auf das Schaftende des Bohrereinsatzes auf.
Diese Fettschmierung gewährleistet reibungslosen Betrieb und längere Lebensdauer.

Montage und Demontage des Bohrereinsatzes

Reinigen Sie das Schaftende des Bohrereinsatzes, und tragen Sie Schmierfett auf, bevor Sie den Bohrereinsatz montieren.

► **Abb.15:** 1. Schaftende 2. Schmierfett

Setzen Sie das Schaftende des Bohrereinsatzes in das Spannfutter ein und führen Sie ihn weiter in das Spannfutter ein, während Sie den Bohrereinsatz von Hand drehen, so dass das Schaftende gut in den Schlitz des Spannputters passt und vollständig eingerastet wird. Nachdem Sie den Bohrereinsatz installiert haben, versuchen Sie, ihn zurückzuziehen, um sicherzustellen, dass er sicher an seinem Platz gehalten wird.

► **Abb.16:** 1. Bohrereinsatz 2. Spannfutter

Um den Bohrereinsatz zu entfernen, ziehen Sie die Futterabdeckung vollständig nach unten, und ziehen Sie den Bohrereinsatz heraus.

► **Abb.17:** 1. Bohrereinsatz 2. Futterabdeckung

Meißelwinkel (beim Meißeln, Abklopfen oder Demolieren)

Der Meißel kann im gewünschten Winkel eingespannt werden. Schalten Sie den Betriebsart-Umschaltknopf auf das Symbol O um, und drehen Sie dann den Meißel auf den gewünschten Winkel.

► **Abb.18:** 1. Betriebsart-Umschaltknopf 2. Symbol O

Schalten Sie den Betriebsart-Umschaltknopf auf das Symbol T um. Versuchen Sie, den Meißel von Hand zu drehen, um sicherzustellen, dass er sicher an seinem Platz gehalten wird.

Tiefenanschlag

Der Tiefenanschlag ist praktisch, um Löcher von gleicher Tiefe zu bohren.

Halten Sie den Arretierknopf gedrückt, und führen Sie dann den Tiefenanschlag in das Sechskantloch ein. Vergewissern Sie sich, dass die gezahnte Seite des Tiefenanschlages auf die gezahnte Markierung am Sechskantloch gerichtet ist.

► **Abb.19:** 1. Tiefenanschlag 2. Arretierknopf
3. Sechskantloch 4. Gezahnte Seite
5. Gezahnte Markierung

Stellen Sie den Tiefenanschlag ein, indem Sie ihn bei gedrücktem Sperrknopf vor und zurück schieben. Lassen Sie den Sperrknopf nach der Einstellung los, um den Tiefenanschlag zu verriegeln.

HINWEIS: Vergewissern Sie sich beim Anbringen, dass der Tiefenanschlag nicht den Hauptteil des Werkzeugs berührt.

Staubabsaugsystem

Sonderzubehör

Installation

1. Schieben Sie die Luftkanalkappe aus dem Motorgehäuse heraus, während Sie die Verriegelungslasche nach oben in die entriegelte Position anheben.

► **Abb.20:** 1. Luftkanalkappe 2. Verriegelungslasche

2. Montieren Sie das Werkzeug auf das Staubabsaugsystem, indem Sie die Führungsnuten auf der Unterseite des Getriebegehäuses über die Führungsschienen auf der Oberseite des Staubabsaugsystems schieben, bis es mit einem Klick einrastet.

► **Abb.21:** 1. Führungsnuten 2. Führungsschienen
3. Staubabsaugsystem

Demontage

1. Demontieren Sie das Werkzeug vom Staubabsaugsystem, indem Sie das Werkzeug weg-schieben, während Sie den Verriegelungsknopf am Staubabsaugsystem drücken.

► **Abb.22:** 1. Staubabsaugsystem
2. Verriegelungsknopf

2. Schieben Sie die Luftkanalkappe entlang den Führungsnuten am Getriebegehäuse zurück, bis sie mit einem Klick einrastet.

► **Abb.23:** 1. Luftkanalkappe 2. Führungsnuten

ANMERKUNG: Setzen Sie unbedingt die Luftkanalkappe wieder auf den Luftkanal, nachdem Sie das Staubabsaugsystem vom Werkzeug abgenommen haben. Die Leistung des Werkzeugs kann beeinträchtigt werden, falls es ohne aufgesetzte Luftkanalkappe betrieben wird.

Einstellen der Düsenposition des Staubabsaugsystems

Schieben Sie die Düsenführung hinein und heraus, während Sie den Führungseinstellknopf drücken, und lassen Sie dann den Knopf an einer exakten Position los, an der die Spitze des Bohrereinsatzes gerade hinter der Stirnfläche der Düse sitzt.

► **Abb.24:** 1. Führung 2. Führungseinstellknopf
3. Spitze des Bohrereinsatzes
4. Stirnfläche der Düse

HINWEIS: Bevor Sie die Düsenposition einstellen, drücken Sie den Führungseinstellknopf, um die Spannung an der Düsenführung freizugeben und sie in eine vollständig ausgefahrene Position zu bringen.

Einstellen der Bohrtiefen

Die Bohrtiefe kann durch Ändern der Längen zwischen dem Tiefeneinstellknopf und dem hinteren Ende der Düsenführung eingestellt werden. Halten Sie den Tiefeneinstellknopf gedrückt, und schieben Sie ihn in die gewünschte Position.

► **Abb.25:** 1. Tiefeneinstellknopf 2. Düsenführung
3. Bohrtiefen

Lagerung

ANMERKUNG: Wenn die Düsenführung eine bestimmte Zeitlang nicht benutzt wird, muss sie aus ihrer vollständig verkürzten Position auf ca. 100 mm ausgefahren werden. Bei Nichtbeachtung kann der in der Düsenführung vorinstallierte Kanalschlauch beschädigt werden.

► **Abb.26:** 1. Führungseinstellknopf 2. Ca. 100 mm

Staubfangteller

Sonderzubehör

Verwenden Sie bei Überkopf-Bohrarbeiten den Staubfangteller, um zu verhüten, dass Staub auf Sie und das Werkzeug fällt. Bringen Sie den Staubfangteller so am Einsatz an, wie in der Abbildung gezeigt. Der Staubfangteller kann an Einsätzen der folgenden Größen angebracht werden.

Modell	Einsatzdurchmesser
Staubfangteller 5	6 mm - 14,5 mm
Staubfangteller 9	12 mm - 16 mm

► **Abb.27:** 1. Staubfangteller

Staubfangtellersatz

Sonderzubehör

⚠ VORSICHT: Entfernen Sie vor dem Installieren und Deinstallieren des Staubfangtellersatzes einen Einsatz aus dem Werkzeug.

Installation

Setzen Sie den Staubfangtellersatz auf den Zylinderhals des Getriebegehäuses, und richten Sie dabei das Symbol \triangle auf dem Staubfangteller auf eine der Nuten im Zylinder aus. Halten Sie dann die Befestigungseinheit des Staubfangtellersatzes fest, und drücken Sie sie nach unten auf den Zylinder, um sie sicher zu befestigen.

► **Abb.28:** 1. Staubfangtellersatz
2. Befestigungseinheit 3. Symbol \triangle 4. Nut

HINWEIS: Wenn Sie ein Sauggerät an den Staubfangtellersatz anschließen, entfernen Sie den Staubfangteller vor dem Anschließen.

► **Abb.29:** 1. Staubkappe

Demontage

Drücken Sie die Futterabdeckung ganz nach unten, und ziehen Sie einen Einsatz ab.

► **Abb.30:** 1. Einsatz 2. Futterabdeckung

Halten Sie die Befestigungseinheit des Staubfangtellersatzes fest, und ziehen Sie sie vom Werkzeug ab.

► **Abb.31:** 1. Befestigungseinheit

HINWEIS: Falls sich die Kappe vom Staubfangtellersatz ablöst, bringen Sie sie wieder in die ursprüngliche Position.

1. Lösen Sie den Faltenbalg von der Befestigungseinheit des Staubfangtellersatzes.

► **Abb.32:** 1. Faltenbalg 2. Befestigungseinheit

2. Setzen Sie die Kappe mit der bedruckten Seite nach oben wieder auf.

► **Abb.33:** 1. Kappe 2. Bedruckte Seite 3. Rillen
4. Lippen der oberen Öffnung
5. Befestigungseinheit

3. Vergewissern Sie sich, dass die Rillen um die Kappe gut auf die Lippen der oberen Öffnung der Befestigungseinheit passen.

► **Abb.34**

BETRIEB

⚠ VORSICHT: Montieren Sie stets den Seitengriff (Zusatzgriff), und halten Sie das Werkzeug während der Arbeit mit beiden Händen am Seitengriff und Schaltergriff fest.

⚠ VORSICHT: Vergewissern Sie sich vor der Arbeit immer, dass das Werkstück gesichert ist.

⚠ VORSICHT: Ziehen Sie das Werkzeug selbst bei klemmendem Einsatz nicht gewaltsam heraus. Verlust der Kontrolle kann Verletzungen verursachen.

⚠ VORSICHT: Das Staubabsaugsystem ist nur für Bohren in Beton vorgesehen. Benutzen Sie das Staubabsaugsystem nicht zum Bohren in Metall oder Holz.

⚠ VORSICHT: Wenn Sie das Werkzeug mit dem Staubabsaugsystem verwenden, bringen Sie unbedingt den Filter am Staubabsaugsystem an, um Einatmen von Staub zu verhindern.

⚠ VORSICHT: Bevor Sie das Staubabsaugsystem benutzen, stellen Sie sicher, dass der Filter nicht beschädigt ist. Anderenfalls kann es zu Einatmen von Staub kommen.

⚠ VORSICHT: Das Staubabsaugsystem sammelt einen Großteil des erzeugten Staubs auf, aber es kann nicht den ganzen Staub auf sammeln.

ANMERKUNG: Wird das Werkzeug über längere Zeitspannen im Dauerbetrieb mit niedriger Drehzahl betrieben, führt das zu einer Überlastung des Motors, die eine Funktionsstörung des Werkzeugs zur Folge haben kann.

ANMERKUNG: Verwenden Sie das Staubabsaugsystem nicht für Kernbohr- oder Stemmarbeiten.

ANMERKUNG: Verwenden Sie das Staubabsaugsystem nicht zum Bohren in nassem Beton, und benutzen Sie dieses System auch nicht in nasser Umgebung. Anderenfalls kann es zu einer Funktionsstörung kommen.

HINWEIS: Wenn der Akku kalt ist, kann nicht die volle Leistungsfähigkeit des Werkzeugs erhalten werden. Erwärmen Sie in diesem Fall den Akku, indem Sie das Werkzeug eine Weile bei Nulllast laufen lassen, um die volle Leistungsfähigkeit des Werkzeugs zu erhalten.

► **Abb.35**

Hammerbohren

⚠ VORSICHT: Beim Durchbruch der Bohrung, bei Verstopfung der Bohrung mit Spänen und Partikeln, oder beim Auftreffen auf Betonstahl wirkt eine starke, plötzliche Drehkraft auf Werkzeug und Bohrereinsatz. **Montieren Sie stets den Seitengriff (Zusatzgriff), und halten Sie das Werkzeug während der Arbeit mit beiden Händen am Seitengriff und Schaltergriff fest.** Eine Missachtung dieser Vorsichtsmaßnahme kann den Verlust der Kontrolle über das Werkzeug und mögliche schwere Verletzungen zur Folge haben.


Stellen Sie den Betriebsart-Umschaltknopf auf die Position des Symbols .

Setzen Sie den Bohrereinsatz auf die gewünschte Bohrstelle, und drücken Sie dann den Auslöseschalter. Üben Sie keinen übermäßigen Druck auf das Werkzeug aus. Leichter Druck liefert die besten Ergebnisse. Halten Sie das Werkzeug in Position, und vermeiden Sie Abrutschen vom Loch.

Üben Sie keinen stärkeren Druck aus, wenn das Bohrloch mit Spänen oder Bohrmehl zugesetzt wird. Lassen Sie statt dessen das Werkzeug leer laufen, und ziehen Sie dann den Bohrereinsatz teilweise aus dem Bohrloch heraus. Durch mehrmaliges Wiederholen dieses Vorgangs wird das Bohrloch ausgeräumt, so dass der normale Bohrbetrieb fortgesetzt werden kann.

HINWEIS: Es kann zu einer Rundlaufabweichung in der Bohrereinsatzdrehung kommen, wenn das Werkzeug mit Nulllast betrieben wird. Während des Betriebs zentriert sich das Werkzeug automatisch. Dies hat keinen Einfluss auf die Bohrgenauigkeit.

Meißeln/Abklopfen/Demolieren

Stellen Sie den Betriebsart-Umschaltknopf auf die Position des Symbols .

Halten Sie das Werkzeug mit beiden Händen fest. Schalten Sie das Werkzeug ein, und führen Sie es mit leichtem Druck, damit es nicht unkontrolliert springt. Übermäßige Druckausübung auf das Werkzeug bewirkt keine Erhöhung der Arbeitsleistung.

► **Abb.36**

Bohren in Holz oder Metall

⚠ VORSICHT: Halten Sie daher das Werkzeug mit festem Griff und lassen Sie Vorsicht walten, wenn der Bohrereinsatz im Begriff ist, aus dem Werkstück auszutreten. Beim Bohrungsdurchbruch wirkt ein hohes Rückdrehmoment auf Werkzeug und Bohrereinsatz.

⚠ VORSICHT: Ein festsitzender Bohrereinsatz lässt sich durch einfaches Umschalten der Drehrichtung wieder herausdrehen. Dabei sollten Sie aber das Werkzeug gut festhalten, damit es nicht ruckartig herausgestoßen wird.

⚠ VORSICHT: Spannen Sie Werkstücke stets in einen Schraubstock oder eine ähnliche Aufspannvorrichtung ein.

ANMERKUNG: Verwenden Sie keinesfalls die Betriebsart „Schlagbohren“, wenn das Bohrfutter am Werkzeug angebracht ist. Das Bohrfutter kann sonst beschädigt werden. Außerdem löst sich das Bohrfutter beim Umschalten der Drehrichtung.

ANMERKUNG: Übermäßige Druckausübung auf das Werkzeug bewirkt keine Beschleunigung der Bohrleistung. Im Gegenteil; übermäßiger Druck führt zu einer Beschädigung der Spitze des Bohrereinsatzes und damit zu einer Verringerung der Leistungsfähigkeit sowie zu einer Verkürzung der Lebensdauer des Werkzeugs.

Stellen Sie den Betriebsart-Umschaltknopf auf die Position des Symbols .

Installieren des Bohrfuttersatzes


Sonderzubehör

Bringen Sie den Futteradapter an einem schlüssello- sen Bohrfutter an, an dem eine Schraube der Größe 1/2"-20 montiert werden kann, und montieren Sie dann die Teile am Werkzeug. Einzelheiten zum Installieren des Adapters in das Spannfutter finden Sie in den Anweisungen zum Installieren des Bohrereinsatzes.

► **Abb.37:** 1. Schlüsselloser Bohrfutter 2. Futteradapter

Bohren mit Diamant-Bohrkrone

ANMERKUNG: Werden Bohrarbeiten mit Diamant-Bohrkrone in der Betriebsart „Schlagbohren“ durchgeführt, kann die Diamant-Bohrkrone beschädigt werden.

Stellen Sie den Betriebsart-Umschaltknopf zum Bohren mit Diamant-Bohrkrone immer auf die Position , um die Betriebsart „Bohren“ zu benutzen.

Ausklopfen des Filters

Sonderzubehör

⚠ VORSICHT: Drehen Sie nicht das Einstellrad am Staubsammelbehälter, während der Staubsammelbehälter vom Staubabsaugsystem entfernt ist. Anderenfalls kann es zu Einatmen von Staub kommen.

⚠ VORSICHT: Schalten Sie stets das Werkzeug aus, wenn Sie das Einstellrad am Staubsammelbehälter drehen. Drehen des Einstellrads bei laufendem Werkzeug kann zum Verlust der Kontrolle über das Werkzeug führen.

Durch Ausklopfen des Filters im Staubsammelbehälter können Sie die Saugeffizienz aufrechterhalten und auch die Anzahl der Staubentleerungen verringern. Drehen Sie das Einstellrad am Staubsammelbehälter dreimal, nachdem sich jeweils 50.000 mm³ Staub angesammelt haben, oder wenn Sie das Gefühl haben, dass die Saugleistung nachgelassen hat.

HINWEIS: 50.000 mm³ Staub entsprechen dem Bohren von 10 Löchern von ø10 mm und 65 mm Tiefe.

► **Abb.38:** 1. Staubsammelbehälter 2. Einstellrad

Staubentsorgung

Sonderzubehör

⚠ VORSICHT: Vergewissern Sie sich vor der Ausführung von Arbeiten am Werkzeug stets, dass das Werkzeug ausgeschaltet und der Akku abgenommen ist.

⚠ VORSICHT: Tragen Sie beim Entsorgen von Staub unbedingt eine Staubmaske.

⚠ VORSICHT: Leeren Sie den Staubsammelbehälter regelmäßig, bevor er voll wird. Anderenfalls kann die Staubsammelleistung nachlassen, so dass es zu Einatmen von Staub kommt.

⚠ VORSICHT: Die Staubsammelleistung lässt nach, wenn der Filter im Staubsammelbehälter zugesetzt wird. Ersetzen Sie den Filter als Richtlinie nach etwa 200 Staubbefüllungen durch einen neuen. Anderenfalls kann es zu Einatmen von Staub kommen.

1. Entfernen Sie den Staubsammelbehälter, während Sie den Rasthebel des Staubsammelbehälters nach unten drücken.

▶ **Abb.39:** 1. Rasthebel

2. Heben Sie die Verriegelungslasche geringfügig nach außen an, und öffnen Sie die Staubsammelbehälterabdeckung.

▶ **Abb.40:** 1. Staubsammelbehälterabdeckung
2. Verriegelungslasche

3. Entsorgen Sie den Staub, und reinigen Sie dann den Filter.

▶ **Abb.41**

ANMERKUNG: Klopfen Sie zum Reinigen des Filters sachte mit der Hand auf das Filtergehäuse, um Staub zu entfernen. Klopfen Sie nicht direkt auf den Filter, berühren Sie den Filter nicht mit einer Bürste oder dergleichen, und blasen Sie auch keine Druckluft auf den Filter. Dadurch kann der Filter beschädigt werden.

Ausblaspipette

Sonderzubehör

Blasen Sie den Staub nach dem Bohren des Lochs mit einer Ausblaspipette aus dem Loch.

▶ **Abb.42**

Verwendung des Staubfangtellersatzes

Sonderzubehör

Halten Sie den Staubfangtellersatz beim Betreiben des Werkzeugs gegen die Decke.

▶ **Abb.43**

ANMERKUNG: Benutzen Sie den Staubfangtellersatz nicht, wenn Sie in Metall oder ähnlichem Material bohren. Der Staubfangtellersatz kann sonst durch die von feinem Metallstaub o. Ä. erzeugten Wärme beschädigt werden.

ANMERKUNG: Unterlassen Sie das Montieren oder Demontieren des Staubfangtellersatzes, wenn der Bohrerersatz im Werkzeug montiert ist. Sonst kann der Staubfangtellersatz beschädigt und ein Staubleck verursacht werden.

FUNK- AKTIVIERUNGSFUNKTION

Mit der Funk-Aktivierungsfunktion verfügbare Möglichkeiten

Die Funk-Aktivierungsfunktion ermöglicht sauberen und komfortablen Betrieb. Wenn Sie ein unterstütztes Sauggerät an das Werkzeug anschließen, können Sie das Sauggerät automatisch mit der Schalterbetätigung des Werkzeugs betreiben.

▶ **Abb.44**

Um die Funk-Aktivierungsfunktion zu benutzen, benötigen Sie die folgenden Gegenstände:

- Einen Funk-Adapter (Sonderzubehör)
- Ein Sauggerät, das die Funk-Aktivierungsfunktion unterstützt

Die Übersicht über die Einstellung der Funk-Aktivierungsfunktion ist wie folgt. Ausführliche Verfahren entnehmen Sie bitte dem jeweiligen Abschnitt.

1. Installieren des Funk-Adapters
2. Werkzeugregistrierung für das Sauggerät
3. Starten der Funk-Aktivierungsfunktion

Installieren des Funk-Adapters

Sonderzubehör

⚠ VORSICHT: Legen Sie das Werkzeug zum Installieren des Funk-Adapters auf eine ebene und stabile Oberfläche.

ANMERKUNG: Entfernen Sie Staub und Schmutz vom Werkzeug, bevor Sie den Funk-Adapter installieren. Staub oder Schmutz können eine Funktionsstörung verursachen, falls sie in den Steckplatz des Funk-Adapters gelangen.

ANMERKUNG: Um eine durch statische Entladung verursachte Funktionsstörung zu verhindern, berühren Sie ein Statikentladungsmaterial, wie z. B. ein Metallteil des Werkzeugs, bevor Sie den Funk-Adapter anfassen.

ANMERKUNG: Achten Sie beim Installieren des Funk-Adapters immer darauf, dass der Funk-Adapter in der korrekten Richtung eingeführt wird und der Deckel vollständig geschlossen ist.

1. Öffnen Sie den Deckel am Werkzeug, wie in der Abbildung gezeigt.

▶ **Abb.45:** 1. Deckel

2. Führen Sie den Funk-Adapter in den Steckplatz ein, und schließen Sie dann den Deckel.

Wenn Sie den Funk-Adapter einführen, richten Sie die Vorsprünge auf die Vertiefungen des Steckplatzes aus.

▶ **Abb.46:** 1. Funk-Adapter 2. Vorsprung 3. Deckel
4. Vertiefung

Zum Entfernen des Funk-Adapters öffnen Sie den Deckel langsam. Die Haken an der Rückseite des Deckels heben den Funk-Adapter an, wenn Sie den Deckel hochziehen.

► **Abb.47:** 1. Funk-Adapter 2. Haken 3. Deckel

Bewahren Sie den Funk-Adapter nach der Entnahme in der mitgelieferten Schachtel oder einem statikfreien Behälter auf.

ANMERKUNG: Verwenden Sie immer die Haken an der Rückseite des Deckels zum Entfernen des Funk-Adapters. Falls die Haken den Funk-Adapter nicht greifen, schließen Sie den Deckel vollständig, und öffnen Sie ihn dann wieder langsam.

Werkzeugregistrierung für das Sauggerät

HINWEIS: Ein Makita-Sauggerät, das die Funk-Aktivierungsfunktion unterstützt, ist für die Werkzeugregistrierung erforderlich.

HINWEIS: Die Installation des Funk-Adapters im Werkzeug muss vollendet sein, bevor mit der Werkzeugregistrierung begonnen wird.

HINWEIS: Unterlassen Sie während der Werkzeugregistrierung die Betätigung des Auslöseschalters oder das Einschalten des Ein-Aus-Schalters am Sauggerät.

HINWEIS: Nehmen Sie auch auf die Betriebsanleitung des Sauggerätes Bezug.

Wenn Sie das Sauggerät zusammen mit der Schalterbetätigung des Werkzeugs aktivieren möchten, müssen Sie zuvor die Werkzeugregistrierung beenden.

1. Setzen Sie die Akkus in das Sauggerät und das Werkzeug ein.
2. Stellen Sie den Bereitschaftsschalter am Sauggerät auf „AUTO“.
► **Abb.48:** 1. Bereitschaftsschalter
3. Drücken Sie die Funk-Aktivierungstaste am Sauggerät für 3 Sekunden, bis die Funk-Aktivierungslampe in Grün blinkt. Drücken Sie dann die Funk-Aktivierungstaste am Werkzeug in der gleichen Weise.
► **Abb.49:** 1. Funk-Aktivierungstaste
2. Funk-Aktivierungslampe

Wenn Sauggerät und Werkzeug erfolgreich verbunden werden, leuchten die Funk-Aktivierungslampen 2 Sekunden lang in Grün auf und beginnen dann in Blau zu blinken.

HINWEIS: Nach Ablauf von 20 Sekunden hören die Funk-Aktivierungslampen auf, in Grün zu blinken. Drücken Sie die Funk-Aktivierungstaste am Werkzeug, während die Funk-Aktivierungslampe am Staubsauger blinkt. Falls die Funk-Aktivierungslampe nicht in Grün blinkt, drücken Sie die Funk-Aktivierungstaste kurz, und halten Sie sie erneut gedrückt.

HINWEIS: Wenn Sie zwei oder mehr Werkzeugregistrierungen für ein Sauggerät durchführen, beenden Sie die Werkzeugregistrierungen nacheinander.

Starten der Funk-Aktivierungsfunktion

HINWEIS: Beenden Sie die Werkzeugregistrierung für das Sauggerät vor der Funk-Aktivierung.

HINWEIS: Nehmen Sie auch auf die Betriebsanleitung des Sauggerätes Bezug.

Nachdem Sie ein Werkzeug im Sauggerät registriert haben, läuft das Sauggerät automatisch mit der Schalterbetätigung am Werkzeug an.

1. Installieren Sie den Funk-Adapter im Werkzeug.
2. Schließen Sie den Schlauch des Sauggerätes am Werkzeug an.
► **Abb.50**
3. Stellen Sie den Bereitschaftsschalter am Sauggerät auf „AUTO“.
► **Abb.51:** 1. Bereitschaftsschalter
4. Drücken Sie die Funk-Aktivierungstaste am Werkzeug kurz. Die Funk-Aktivierungslampe blinkt in Blau.
► **Abb.52:** 1. Funk-Aktivierungstaste
2. Funk-Aktivierungslampe
5. Betätigen Sie den Auslöseschalter des Werkzeugs. Prüfen Sie, ob das Sauggerät läuft, während der Auslöseschalter betätigt wird.

Um die Funk-Aktivierung des Sauggerätes zu stoppen, drücken Sie die Funk-Aktivierungstaste am Werkzeug.

HINWEIS: Die Funk-Aktivierungslampe am Werkzeug hört auf, in Blau zu blinken, wenn 2 Stunden lang kein Betrieb erfolgt. Stellen Sie in diesem Fall den Bereitschaftsschalter am Sauggerät auf „AUTO“, und drücken Sie die Funk-Aktivierungstaste am Werkzeug erneut.

HINWEIS: Das Sauggerät startet/stoppt mit einer Verzögerung. Es tritt eine Zeitverzögerung auf, wenn das Sauggerät eine Schalterbetätigung des Werkzeugs erkennt.










HINWEIS: Die Übertragungreichweite des Funk-Adapters kann abhängig vom Ort und den Umgebungsbedingungen schwanken.

HINWEIS: Wenn zwei oder mehr Werkzeuge in einem Sauggerät registriert sind, kann das Sauggerät anlaufen, selbst wenn Sie den Auslöseschalter nicht betätigen, weil ein anderer Benutzer die Funk-Aktivierungsfunktion benutzt.

Beschreibung des Zustands der Funk-Aktivierungslampe

► Abb.53: 1. Funk-Aktivierungslampe

Die Funk-Aktivierungslampe zeigt den Zustand der Funk-Aktivierungsfunktion an. Die Bedeutung des Lampenzustands ist aus der nachstehenden Tabelle ersichtlich.

Zustand	Funk-Aktivierungslampe				Beschreibung
	Farbe	 Ein	 Blinkend	Dauer	
Bereitschaft	Blau			2 Stunden	Die Funk-Aktivierung des Sauggerätes ist verfügbar. Die Lampe erlischt automatisch, wenn 2 Stunden lang kein Betrieb erfolgt.
				Wenn das Werkzeug läuft.	Die Funk-Aktivierung des Sauggerätes ist verfügbar, und das Werkzeug läuft.
Werkzeugregistrierung	Grün			20 Sekunden	Bereit für die Werkzeugregistrierung. Warten auf die Registrierung durch das Sauggerät.
				2 Sekunden	Die Werkzeugregistrierung ist beendet worden. Die Funk-Aktivierungslampe beginnt, in Blau zu blinken.
Aufheben der Werkzeugregistrierung	Rot			20 Sekunden	Bereit für die Aufhebung der Werkzeugregistrierung. Warten auf die Aufhebung durch das Sauggerät.
				2 Sekunden	Die Aufhebung der Werkzeugregistrierung ist beendet worden. Die Funk-Aktivierungslampe beginnt, in Blau zu blinken.
Sonstiges	Rot			3 Sekunden	Der Funk-Adapter wird mit Strom versorgt, und die Funk-Aktivierungsfunktion wird gestartet.
	Aus	-		-	Die Funk-Aktivierung des Sauggerätes ist gestoppt.

Aufheben der Werkzeugregistrierung für das Sauggerät

Führen Sie das folgende Verfahren durch, um die Werkzeugregistrierung für das Sauggerät aufzuheben.

1. Setzen Sie die Akkus in das Sauggerät und das Werkzeug ein.
2. Stellen Sie den Bereitschaftsschalter am Sauggerät auf „AUTO“.
3. Drücken Sie die Funk-Aktivierungstaste am Sauggerät für 6 Sekunden. Die Funk-Aktivierungslampe blinkt in Grün und wird dann rot. Drücken Sie danach die Funk-Aktivierungstaste am Werkzeug in der gleichen Weise.

- **Abb.55:** 1. Funk-Aktivierungstaste
2. Funk-Aktivierungslampe

Wenn die Aufhebung erfolgreich war, leuchten die Funk-Aktivierungslampen 2 Sekunden lang in Rot auf und beginnen dann in Blau zu blinken.

HINWEIS: Nach Ablauf von 20 Sekunden hören die Funk-Aktivierungslampen auf, in Rot zu blinken. Drücken Sie die Funk-Aktivierungstaste am Werkzeug, während die Funk-Aktivierungslampe am Staubsauger blinkt. Falls die Funk-Aktivierungslampe nicht in Rot blinkt, drücken Sie die Funk-Aktivierungstaste kurz, und halten Sie sie erneut gedrückt.

Fehlersuche für Funk-Aktivierungsfunktion

Bevor Sie den Reparaturdienst anrufen, führen Sie zunächst Ihre eigene Inspektion durch. Falls Sie ein Problem finden, das nicht in der Anleitung erläutert wird, versuchen Sie nicht, das Werkzeug zu zerlegen. Wenden Sie sich stattdessen an autorisierte Makita-Kundendienstzentren, und achten Sie darauf, dass stets Makita-Ersatzteile für Reparaturen verwendet werden.

Zustand der Unregelmäßigkeit	Wahrscheinliche Ursache (Funktionsstörung)	Abhilfemaßnahme
Die Funk-Aktivierungslampe leuchtet/blinkt nicht.	Es ist kein Funk-Adapter im Werkzeug installiert. Der Funk-Adapter ist falsch im Werkzeug installiert.	Installieren Sie den Funk-Adapter korrekt.
	Die Kontakte des Funk-Adapters und/oder des Steckplatzes sind verschmutzt.	Wischen Sie Staub und Schmutz an den Kontakten des Funk-Adapters sachte ab, und reinigen Sie den Steckplatz.
	Die Funk-Aktivierungstaste am Werkzeug ist nicht gedrückt worden.	Drücken Sie die Funk-Aktivierungstaste am Werkzeug kurz.
	Der Bereitschaftsschalter am Sauggerät ist nicht auf „AUTO“ eingestellt.	Stellen Sie den Bereitschaftsschalter am Sauggerät auf „AUTO“.
	Keine Stromversorgung	Versorgen Sie Werkzeug und Sauggerät mit Strom.
Die Werkzeugregistrierung/Aufhebung der Werkzeugregistrierung kann nicht erfolgreich beendet werden.	Es ist kein Funk-Adapter im Werkzeug installiert. Der Funk-Adapter ist falsch im Werkzeug installiert.	Installieren Sie den Funk-Adapter korrekt.
	Die Kontakte des Funk-Adapters und/oder des Steckplatzes sind verschmutzt.	Wischen Sie Staub und Schmutz an den Kontakten des Funk-Adapters sachte ab, und reinigen Sie den Steckplatz.
	Der Bereitschaftsschalter am Sauggerät ist nicht auf „AUTO“ eingestellt.	Stellen Sie den Bereitschaftsschalter am Sauggerät auf „AUTO“.
	Keine Stromversorgung	Versorgen Sie Werkzeug und Sauggerät mit Strom.
	Falsche Bedienung	Drücken Sie die Funk-Aktivierungstaste kurz, und führen Sie das Verfahren der Werkzeugregistrierung/Aufhebung der Werkzeugregistrierung erneut durch.
	Der Abstand zwischen Werkzeug und Sauggerät ist zu groß (außerhalb der Übertragungreichweite).	Verkleinern Sie den Abstand zwischen Werkzeug und Sauggerät. Die maximale Übertragungreichweite beträgt ungefähr 10 m, sie kann aber je nach den Umständen schwanken.
	Vor Beendung der Werkzeugregistrierung/Aufhebung der Werkzeugregistrierung: - der Auslöseschalter am Werkzeug wird betätigt, oder - die Ein-Aus-Taste am Sauggerät wird eingeschaltet.	Drücken Sie die Funk-Aktivierungstaste kurz, und führen Sie das Verfahren der Werkzeugregistrierung/Aufhebung der Werkzeugregistrierung erneut durch.
	Die Verfahren der Werkzeugregistrierung für das Werkzeug oder das Sauggerät sind nicht beendet.	Führen Sie die Verfahren der Werkzeugregistrierung sowohl für das Werkzeug als auch das Sauggerät zum selben Zeitpunkt durch.
Funkstörungen durch andere Geräte, die starke Funkwellen erzeugen.	Halten Sie das Werkzeug und das Sauggerät von solchen Geräten wie WLAN-Geräten und Mikrowellenöfen fern.	

Zustand der Unregelmäßigkeit	Wahrscheinliche Ursache (Funktionsstörung)	Abhilfemaßnahme
Das Sauggerät läuft bei der Schalterbetätigung des Werkzeugs nicht an.	Es ist kein Funk-Adapter im Werkzeug installiert. Der Funk-Adapter ist falsch im Werkzeug installiert.	Installieren Sie den Funk-Adapter korrekt.
	Die Kontakte des Funk-Adapters und/oder des Steckplatzes sind verschmutzt.	Wischen Sie Staub und Schmutz an den Kontakten des Funk-Adapters sachte ab, und reinigen Sie den Steckplatz.
	Die Funk-Aktivierungstaste am Werkzeug ist nicht gedrückt worden.	Drücken Sie die Funk-Aktivierungstaste kurz, und vergewissern Sie sich, dass die Funk-Aktivierungslampe in Blau blinkt.
	Der Bereitschaftsschalter am Sauggerät ist nicht auf „AUTO“ eingestellt.	Stellen Sie den Bereitschaftsschalter am Sauggerät auf „AUTO“.
	Es sind mehr als 10 Werkzeuge im Sauggerät registriert.	Führen Sie die Werkzeugregistrierung erneut durch. Wenn mehr als 10 Werkzeuge im Sauggerät registriert werden, wird die Registrierung des ersten Werkzeugs automatisch gelöscht.
	Das Sauggerät hat alle Werkzeugregistrierungen gelöscht.	Führen Sie die Werkzeugregistrierung erneut durch.
	Keine Stromversorgung	Versorgen Sie Werkzeug und Sauggerät mit Strom.
	Der Abstand zwischen Werkzeug und Sauggerät ist zu groß (außerhalb der Übertragsreichweite).	Verkleinern Sie den Abstand zwischen Werkzeug und Sauggerät. Die maximale Übertragsreichweite beträgt ungefähr 10 m, sie kann aber je nach den Umständen schwanken.
	Funkstörungen durch andere Geräte, die starke Funkwellen erzeugen.	Halten Sie das Werkzeug und das Sauggerät von solchen Geräten wie WLAN-Geräten und Mikrowellenöfen fern.
Das Sauggerät läuft an, obwohl der Auslöseschalter des Werkzeugs nicht betätigt wurde.	Andere Benutzer nutzen die Funk-Aktivierung des Sauggerätes mit ihren Werkzeugen.	Schalten Sie die Funk-Aktivierungstaste der anderen Werkzeuge aus, oder heben Sie die Werkzeugregistrierung der anderen Werkzeuge auf.

WARTUNG

⚠ VORSICHT: Vergewissern Sie sich vor der Durchführung von Inspektions- oder Wartungsarbeiten stets, dass das Werkzeug ausgeschaltet und der Akku abgenommen ist.

ANMERKUNG: Verwenden Sie auf keinen Fall Benzin, Waschbenzin, Verdünnern, Alkohol oder dergleichen. Solche Mittel können Verfärbung, Verformung oder Rissbildung verursachen.

Um die SICHERHEIT und ZUVERLÄSSIGKEIT dieses Produkts zu gewährleisten, sollten Reparaturen und andere Wartungs- oder Einstellarbeiten nur von Makita-Vertragswerkstätten oder Makita-Kundendienstzentren unter ausschließlicher Verwendung von Makita-Originalersatzteilen ausgeführt werden.

Austauschen des Filters des Staubsammelbehälters

Sonderzubehör

- Entfernen Sie den Staubsammelbehälter, während Sie den Rasthebel des Staubsammelbehälters nach unten drücken.
► **Abb.56:** 1. Rasthebel
- Heben Sie die Verriegelungslasche geringfügig nach außen an, und öffnen Sie die Staubsammelbehälterabdeckung.
► **Abb.57:** 1. Staubsammelbehälterabdeckung
2. Verriegelungslasche

- Führen Sie einen Flachklingen-Schraubendreher zwischen das Filtergehäuse und die Staubsammelbehälterabdeckung ein, wie in der Abbildung gezeigt. Drücken Sie die Seitenwände des Filtergehäuses nach innen, und heben Sie das Filtergehäuse mit Hilfe des Flachklingen-Schraubendrehers ab.

- **Abb.58:** 1. Flachklingen-Schraubendreher
2. Filtergehäuse
3. Staubsammelbehälterabdeckung

- Schieben Sie den Filter aus dem Filtergehäuse heraus, wie in der Abbildung gezeigt.

- **Abb.59:** 1. Filter 2. Filtergehäuse

- Setzen Sie einen neuen Filter in das Filtergehäuse ein. Setzen Sie das Filtergehäuse wieder auf den Staubsammelbehälter, und richten Sie dabei den Führungsvorsprung am Filtergehäuse auf die Nut im Staubsammelbehälter aus.

- **Abb.60:** 1. Führungsvorsprung 2. Nut

- Schließen Sie die Staubsammelbehälterabdeckung, und montieren Sie dann den Staubsammelbehälter wieder am Staubabsaugsystem.

Austauschen der Dichtkappe

Sonderzubehör

Tauschen Sie eine Dichtkappe in regelmäßigen Abständen aus, da eine verschlissene oder beschädigte Dichtkappe die Saugleistung beeinträchtigen kann.

1. Führen Sie einen Flachklingen-Schraubendreher mit den flachen Flächen senkrecht in eines der Freigabelöcher an den Seiten des Düsenkopfs ein. Kippen Sie den Flachklingen-Schraubendreher schräg, um den Würfelhaken der Dichtkappe zu quetschen und aus der Formaufnahme herauszudrücken. Ziehen Sie dann die Gummiränder der Dichtkappe von den Rändern der Düsenkopfföffnung ab.

► **Abb.61:** 1. Dichtkappe 2. Würfelhaken
3. Freigabeloch 4. Düsenkopf

2. Setzen Sie einen der Würfelhaken einer erneuerten Dichtkappe in die geformte Aufnahme im Düsenkopf ein, so dass eine vertiefte Fläche der Dichtkappe nach vorne zeigt.

► **Abb.62:** 1. Würfelhaken 2. Aufnahmen
3. Dichtkappe 4. Vertiefte Fläche

3. Setzen Sie den anderen Haken in die Aufnahme auf der gegenüberliegenden Seite des Düsenkopfs ein, während Sie die Dichtkappe wieder so positionieren, dass sie gut am Düsenkopf anliegt.

► **Abb.63:** 1. Dichtkappe 2. Würfelhaken 3. Aufnahme
4. Düsenkopf 5. Ränder

4. Legen Sie die Gummiränder der Dichtkappe vorsichtig von unten nach oben über die Ränder der Düsenkopfföffnung.

► **Abb.64:** 1. Gummiränder 2. Dichtkappe
3. Düsenkopf

- Staubfangteller
- Staubfangtellersatz
- Aufhängersatz
- Staubsammelbehältersatz
- Filtersatz
- Verbindungsstück
- Staubabsaugsystem
- Funk-Adapter
- Schutzbrille
- Original-Makita-Akku und -Ladegerät

HINWEIS: Manche Teile in der Liste können als Standardzubehör im Werkzeugsatz enthalten sein. Sie können von Land zu Land unterschiedlich sein.

SONDERZUBEHÖR

⚠ VORSICHT: Die folgenden Zubehörteile oder Vorrichtungen werden für den Einsatz mit dem in dieser Anleitung beschriebenen Makita-Werkzeug empfohlen. Die Verwendung anderer Zubehörteile oder Vorrichtungen kann eine Verletzungsgefahr darstellen. Verwenden Sie Zubehörteile oder Vorrichtungen nur für ihren vorgesehenen Zweck.

Wenn Sie weitere Einzelheiten bezüglich dieser Zubehörteile benötigen, wenden Sie sich bitte an Ihre Makita-Kundendienststelle.

- Bohrereinsätze mit Hartmetallschneide (SDS-plus-Einsätze mit Hartmetallschneide)
- Bohrkrone
- Spitzmeißel
- Diamant-Bohrkrone
- Flachmeißel
- Putzmeißel
- Nutenmeißel
- Bohrfuttersatz (Futteradapter/Bohrfutter)
- Bohrerfett
- Tiefenanschlag
- Ausblaspipette

Makita Europe N.V. Jan-Baptist Vinkstraat 2,
3070 Kortenberg, Belgium

Makita Corporation 3-11-8, Sumiyoshi-cho,
Anjo, Aichi 446-8502 Japan

www.makita.com

885920-970 EN, PL, HU, SK, CS, UK, RO, DE 20210709
