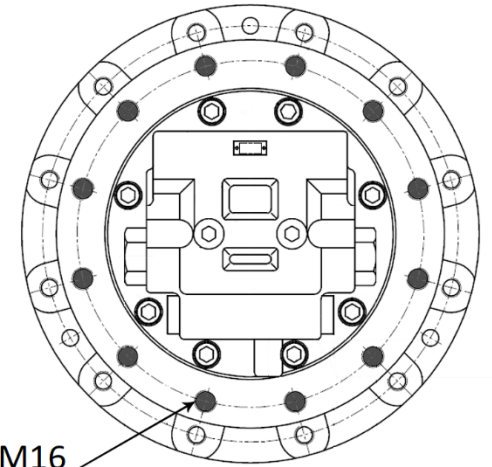
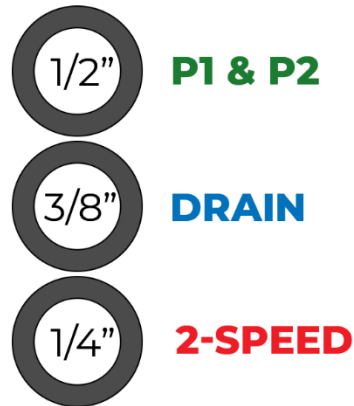


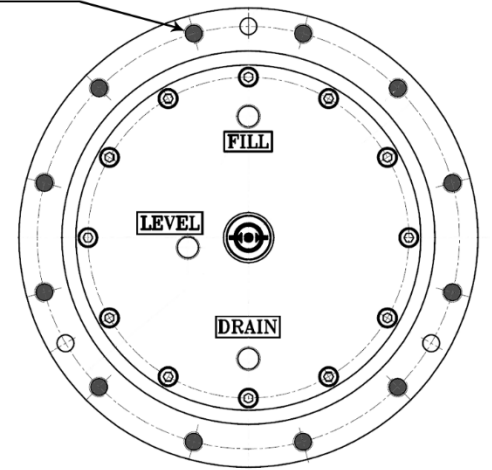
MACHINE SIDE



PORT SIZE (BSP)



12 X M16
12 X M14



SPROCKET SIDE

