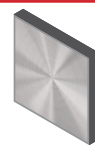


## VIS AUTOPERCEUSE POUR ACIER

TFX



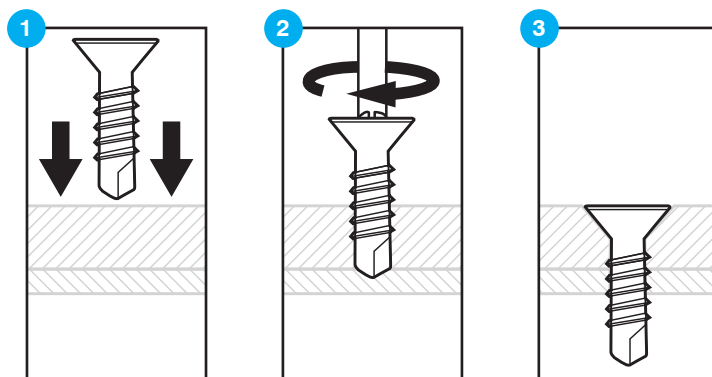
ACIER



## CARACTÉRISTIQUES

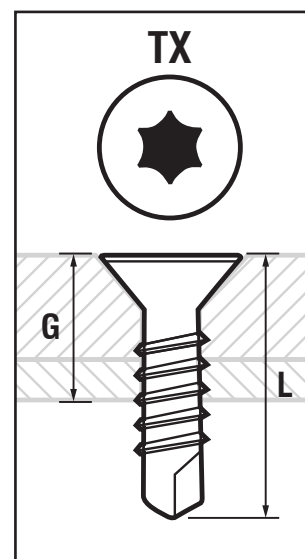
**Matières :** acier zingué blanc  
**Tête :** fraisée 80°  
**Empreinte :** Torx

## MISE EN ŒUVRE



## DONNÉES DE MONTAGE

Ø	L	G	TX	CP	Cisaillement	Traction	Torsion	Vitesse max.	Référence
mm	mm	mm	Empreinte	capacité de perçage maxi. mm	N	N	N	tr/min	
3.5	13.0	7.0	TX15	2.25	3650	6000	3800	2500	TFX35013
	16.0	10.0							TFX35016
	19.0	13.0							TFX35019
	22.0	16.0							TFX35022
	25.0	19.0							TFX35025
3.9	16.0	10.0	TX20	2.4	3650	6000	3800	2500	TFX39016
	19.0	13.0							TFX39019
	22.0	16.0							TFX39022
	25.0	19.0							TFX39025
	32.0	26.0							TFX39032
4.2	16.0	9.0	TX20	3.0	3650	6000	3800	2500	TFX42016
	19.0	12.0							TFX42019
	22.0	15.0							TFX42022
	25.0	18.0							TFX42025
	32.0	25.0							TFX42032
4.8	38.0	31.0	TX25	4.4	3650	6000	3800	2000	TFX42038
	16.0	7.0							TFX48016
	19.0	10.0							TFX48019
	22.0	13.0							TFX48022
	25.0	16.0							TFX48025
5.5	32.0	23.0	TX25	4.4	3650	6000	3800	2000	TFX48032
	38.0	29.0							TFX48038
	45.0	36.0							TFX48045
	50.0	41.0							TFX48050
	25.0	15.0							TFX55025
6.3	32.0	22.0	TX25	5.25	3650	6000	3800	1750	TFX55032
	38.0	28.0							TFX55038
	45.0	35.0							TFX55045
6.3	50.0	40.0	TX25	5.25	3650	6000	3800	1750	TFX55050
	70.0	57.0							TX30

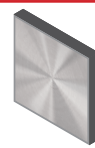


## WKRĘT SAMOWIERCĄCY DO STALI

TFX



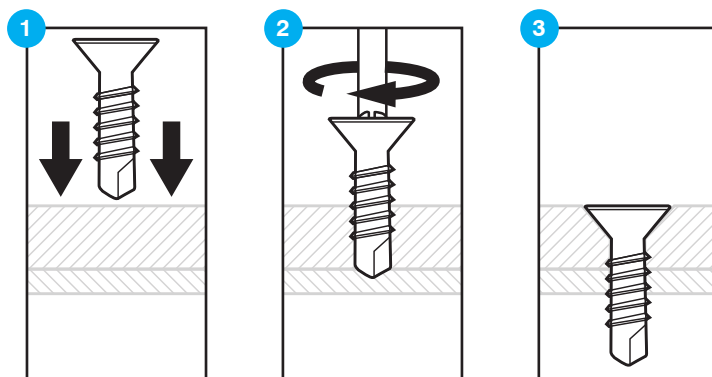
STAL



## CECHY

**Materiał:** stal galwanizowana na biało**Łeb:** frezowanie 80°**Gniazdo:** Torx

## ZASTOSOWANIE



## DANE MONTAŻOWE

Ø	L	G	TX	CP	Ścinanie	Wrywanie	Moment dokręcający	Prędkość max.	Symbol
mm	mm	mm	Rozmiar	zdolność do przewiercania maxi. mm	N	N	N	tr/min	
3.5	13.0	7.0	TX15	2.25	3650	6000	3800	2500	TFX35013
	16.0	10.0							TFX35016
	19.0	13.0							TFX35019
	22.0	16.0							TFX35022
	25.0	19.0							TFX35025
3.9	16.0	10.0	TX20	2.4	3650	6000	3800	2500	TFX39016
	19.0	13.0							TFX39019
	22.0	16.0							TFX39022
	25.0	19.0							TFX39025
	32.0	26.0							TFX39032
4.2	16.0	9.0	TX20	3.0	3650	6000	3800	2500	TFX42016
	19.0	12.0							TFX42019
	22.0	15.0							TFX42022
	25.0	18.0							TFX42025
	32.0	25.0							TFX42032
4.8	38.0	31.0	TX25	4.4	3650	6000	3800	2000	TFX42038
	16.0	7.0							TFX48016
	19.0	10.0							TFX48019
	22.0	13.0							TFX48022
	25.0	16.0							TFX48025
5.5	32.0	23.0	TX25	4.4	3650	6000	3800	2000	TFX48032
	38.0	29.0							TFX48038
	45.0	36.0							TFX48045
	50.0	41.0							TFX48050
	25.0	15.0							TFX55025
6.3	32.0	22.0	TX25	5.25	3650	6000	3800	1750	TFX55032
	38.0	28.0							TFX55038
	45.0	35.0							TFX55045
6.3	50.0	40.0	TX25	5.25	3650	6000	3800	1750	TFX55050
	70.0	57.0							TX30

